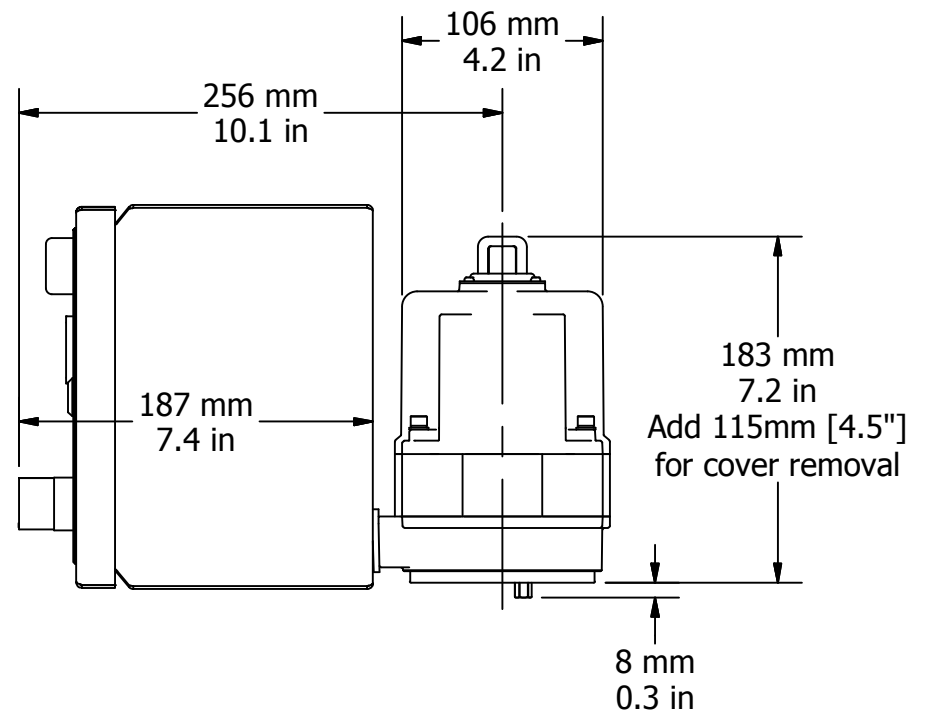
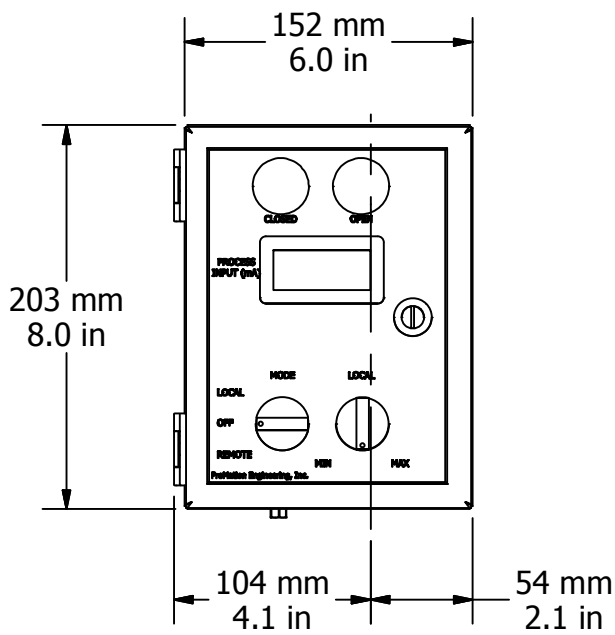
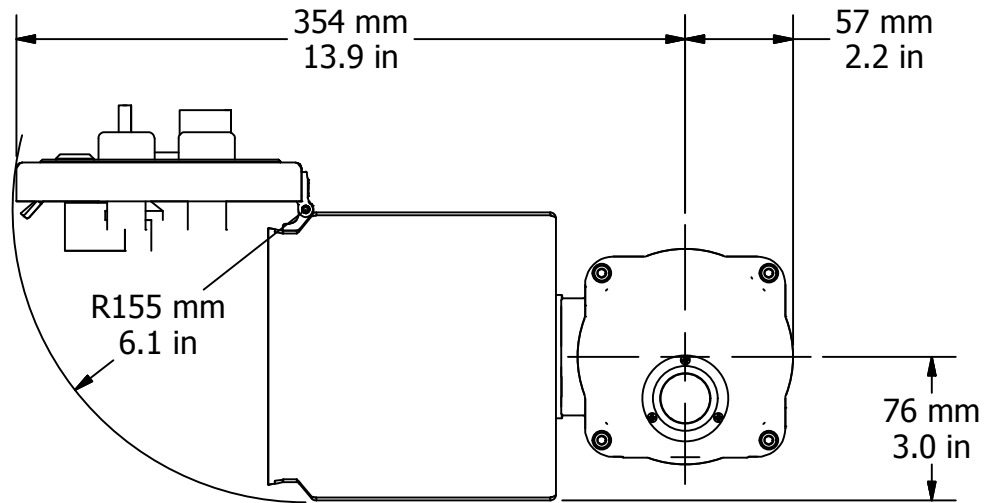
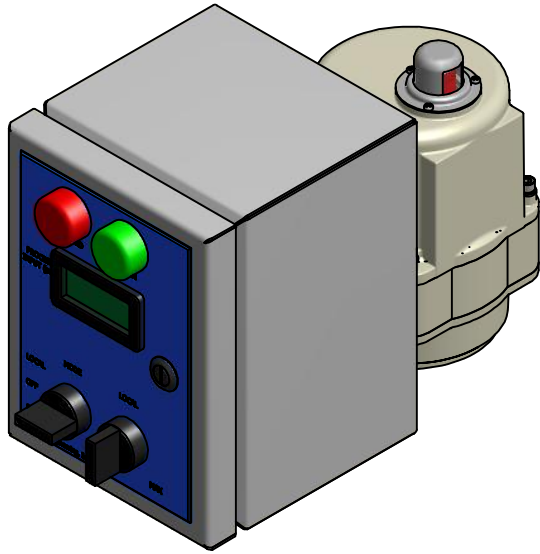
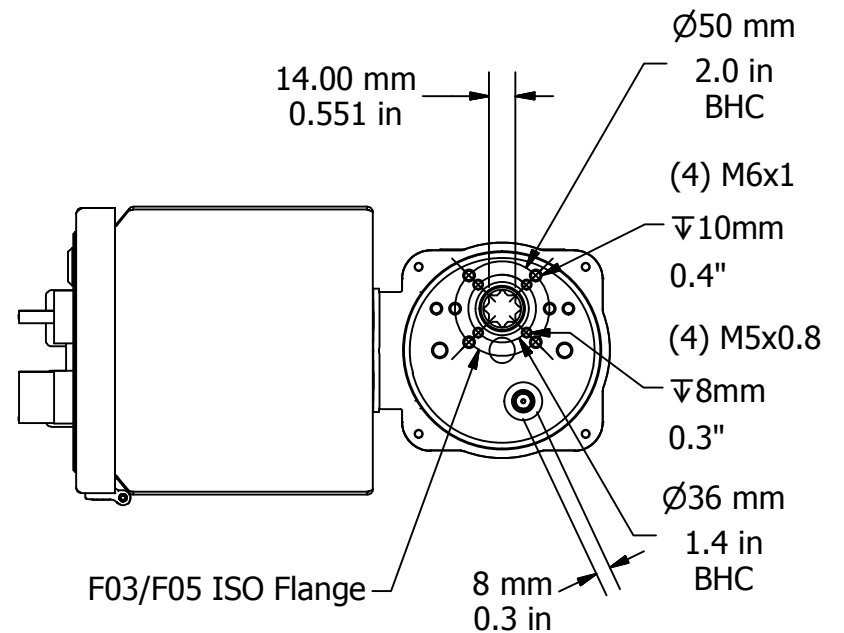
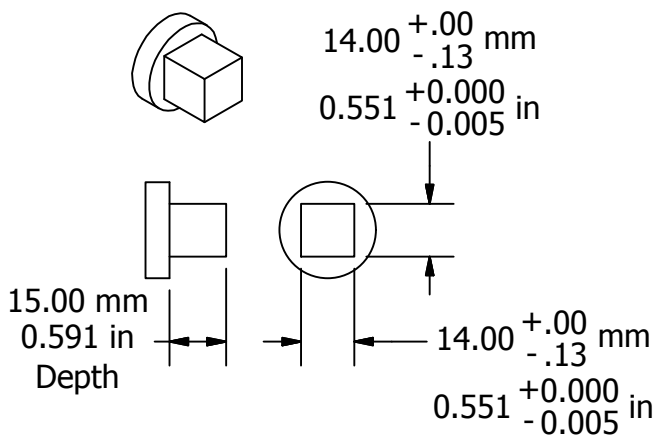


Engineering Change Notice

| REV | Change Date | Description | Name |
|-----|-------------|--|------|
| A | 12.10.2014 | New Document | KHL |
| B | 04.08.2015 | Added Isometric view of Drive Coupling and "Depth" tag for clarity | KHL |
| C | | | |
| D | | | |
| E | | | |
| F | | | |



Drive Coupling Fabrication Data



| | |
|--|---------------------------|
| Drawn By KHL | Created: 12/10/2014 |
| Checked By KHL | Last Checked: 4/8/2015 |
| Material | Finish |
| Dimensional Tolerances (Unless Otherwise Noted): X ± 2.5mm [X.X ± .1] X.X ± .3mm [X.XX ± .01"] X.XX ± .13mm [X.XXX ± .005"] ALL TOLERANCE FEATURES IN mm | |

| | |
|--|--|
| Part No. | This Document is the property of ProMation Engineering, Inc. Distribution of this document without the written consent of the owner is Strictly forbidden. Failure to comply will incur a liability for Damages. |
| Promation Engineering Inc. 16138 Flight Path Drive Brooksville, FL 34604 | |
| Phone: 352-544-8436 Fax: 352-544-8439 | |

| | |
|-------------------------------------|-------------------------------------|
| ProMation Engineering, Inc. | |
| Dwg. Name | P1 with LCS LH F05 8P14 DimData.idw |
| P1 w/ LCS LH Dimensional Data | Rev. B |
| Dimensional Data for P1 with LCS LH | |
| NO SCALE | Sheet Number: 1 |