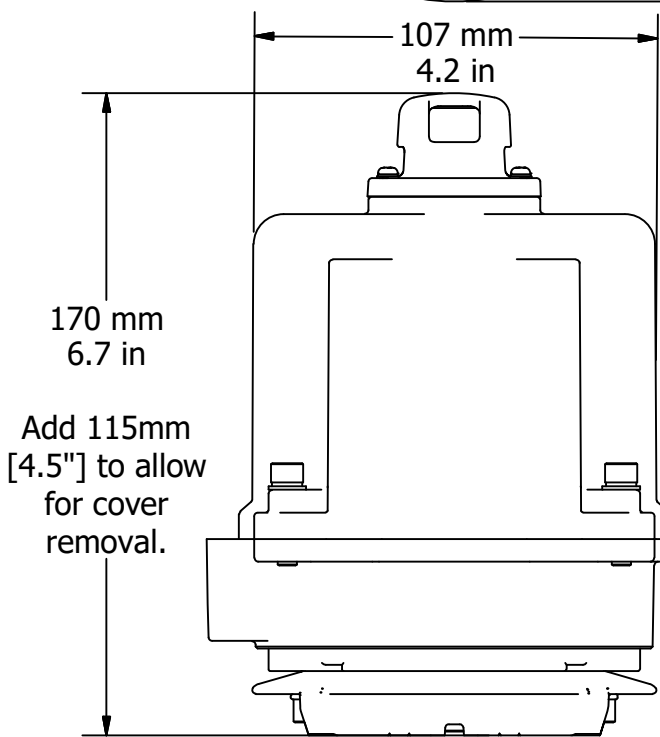
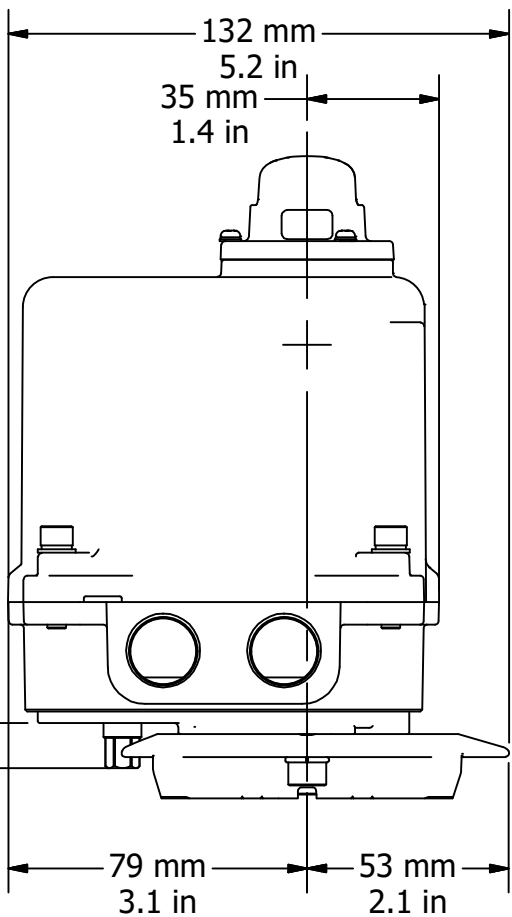
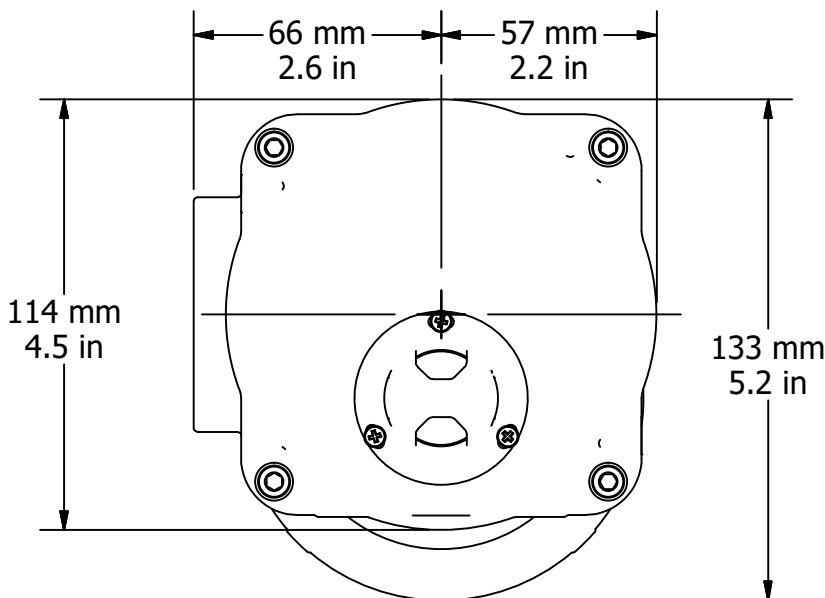
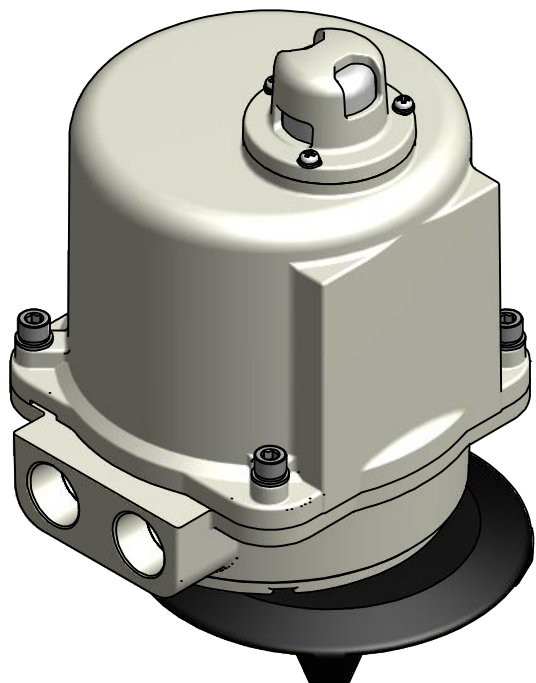
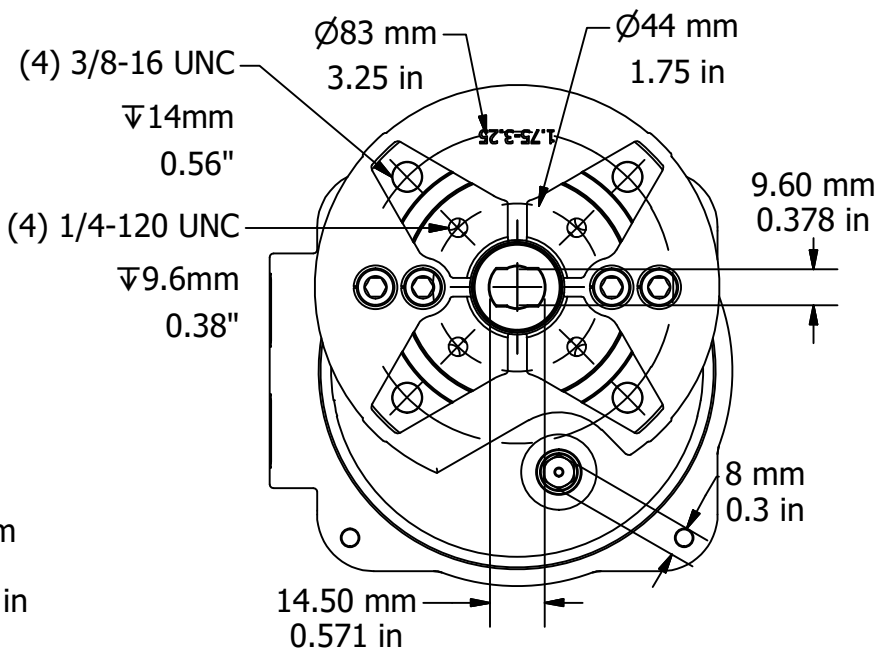
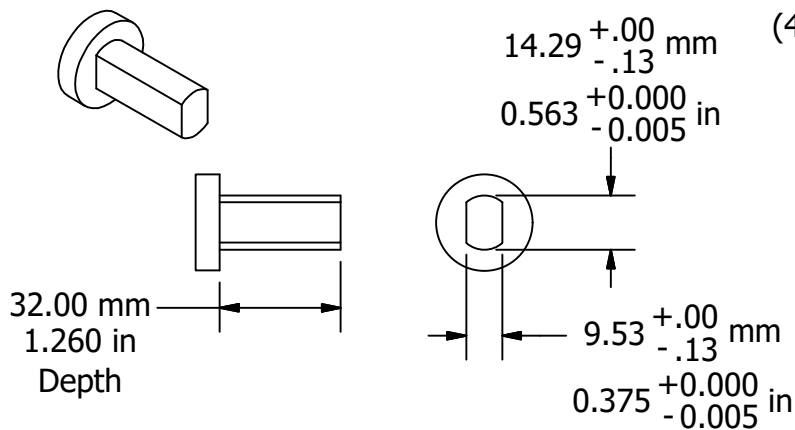


Engineering Change Notice			
REV	Change Date	Description	Name
A	01.28.21	New using P1 F05 8P14 DimData.idw as model layout	DJG
B			
C			
D			
E			
F			



Drive Coupling Fabrication Data



Drawn By DJG	Created: 1/29/2021
Checked By PMR	Last Checked: 1/2/2021
Material	Finish
Dimensional Tolerances (Unless Otherwise Noted): X ± 2.5mm [X.X ± .1] X.X ± .3mm [X.XX ± .01"] X.XX ± .13mm [X.XXX ± .005"] ALL TOLERANCE FEATURES IN mm	

Part No.	This Document is the property of ProMation Engineering, Inc. Distribution of this document without the written consent of the owner is Strictly forbidden. Failure to comply will incur a liability for Damages.
Promation Engineering Inc. 16138 Flight Path Drive Brooksville, FL 34604	
Phone: 352-544-8436 Fax: 352-544-8439	

ProMation Engineering, Inc.	
Dwg. Name	P1S .563x.375DD DimData.idw
	P1 S Imperial Dim Data
Rev. A	
Dimensional Data for P1S Imperial Mount On/Off Actuators	
NO SCALE	Sheet Number: 1