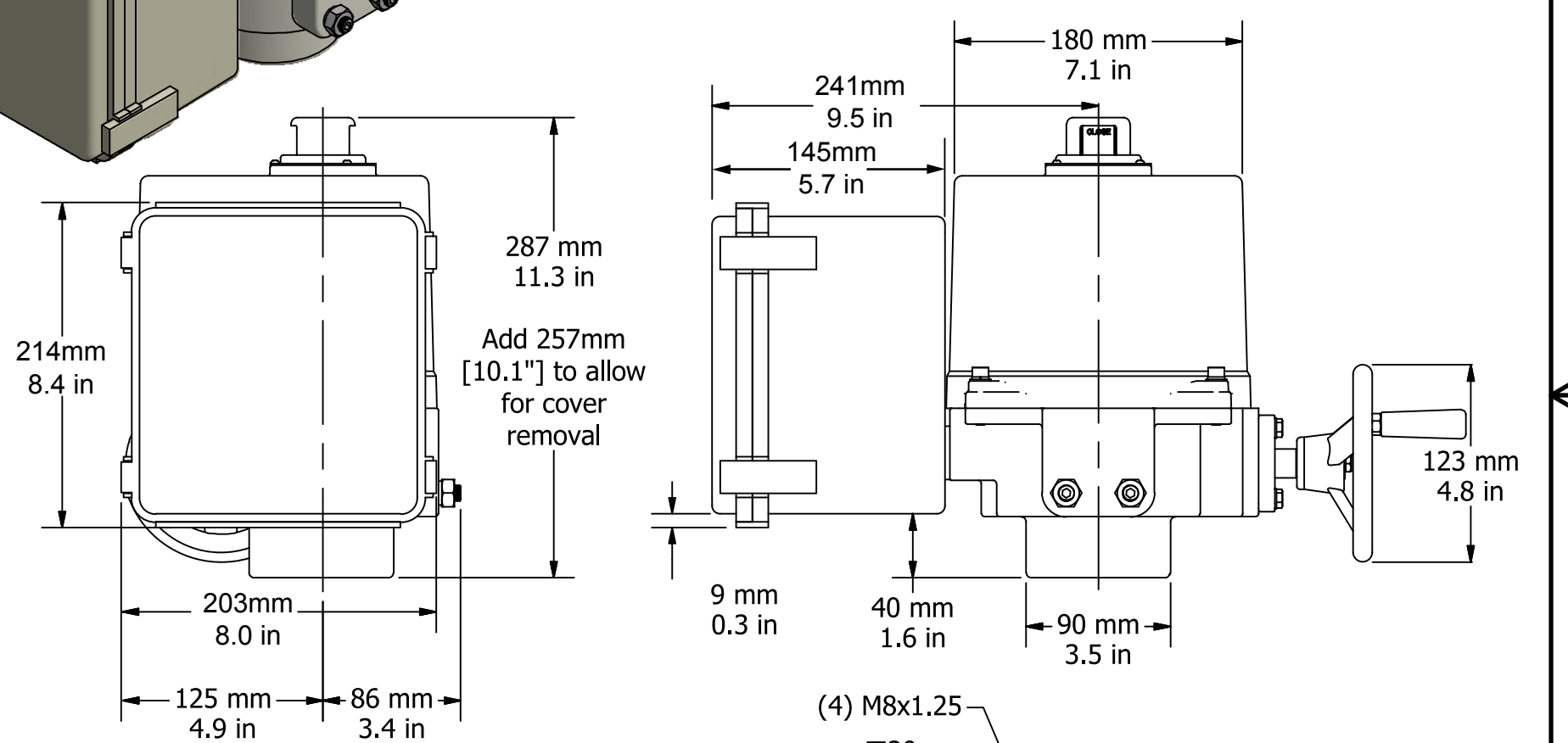
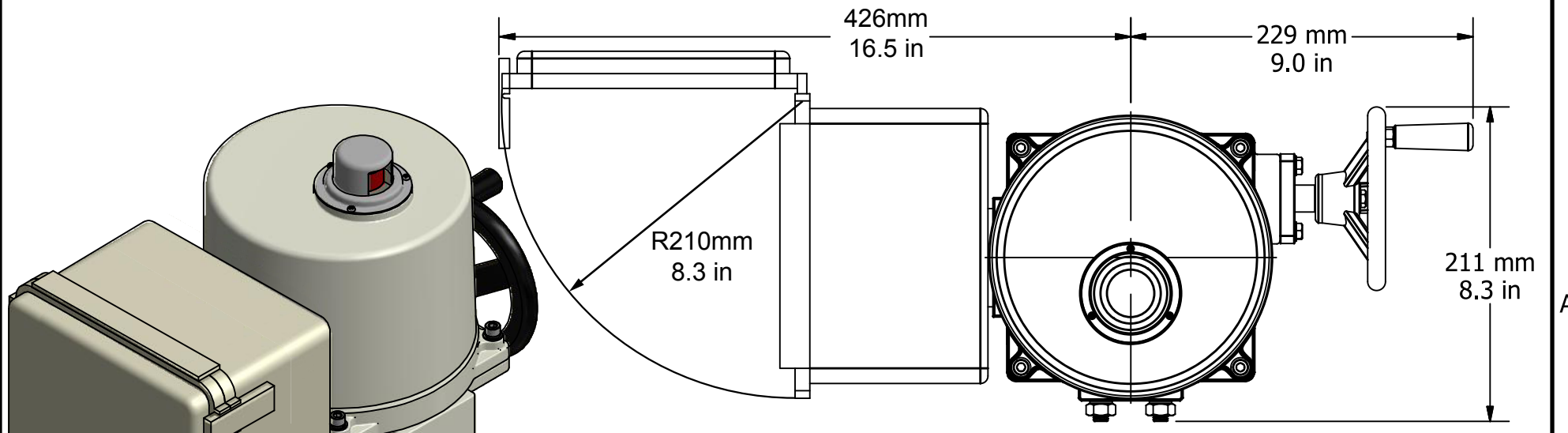
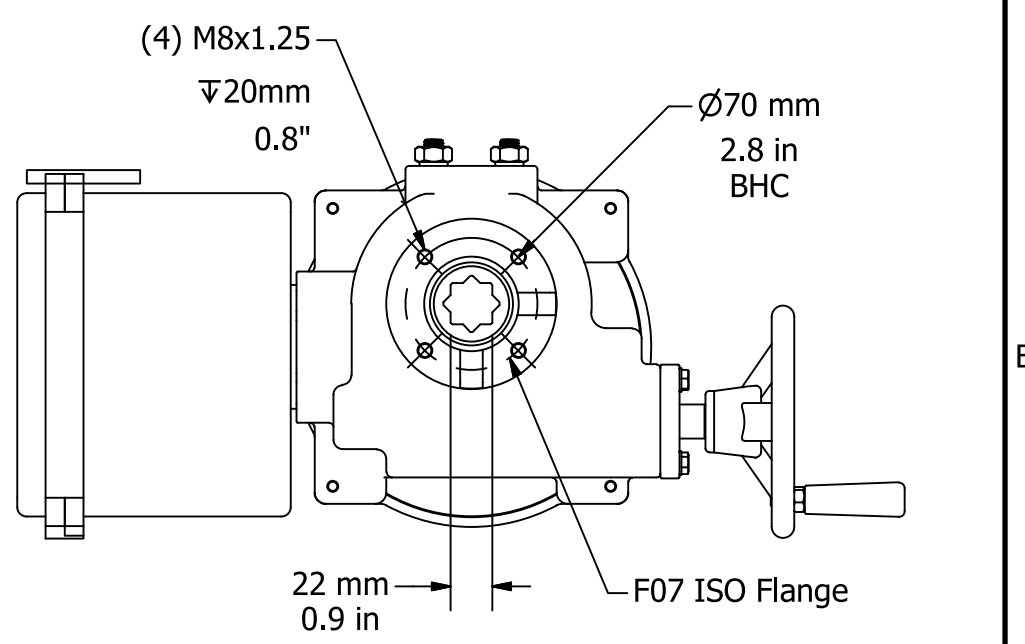
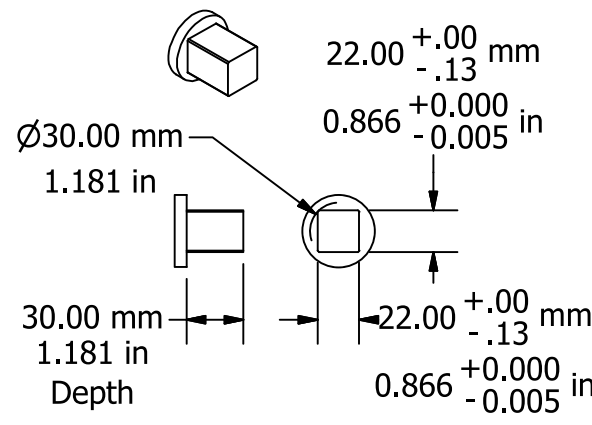


Engineering Change Notice

REV	Change Date	Description	Name
A	04.15.16	New Document	TJM
B			
C			
D			
E			
F			



Drive Coupling Fabrication Data



Drawn By TJM	Created: 04.15.16
Checked By TJM	Last Checked: 04.15.16
Material	Finish
Dimensional Tolerances (Unless Otherwise Noted): X ± 2.5mm [X.X ± .1] X.X ± .3mm [X.XX ± .01"] X.XX ± .13mm [X.XXX ± .005"] ALL TOLERANCE FEATURES IN mm	

Part No.	This Document is the property of ProMation Engineering, Inc. Distribution of this document without the written consent of the owner is Strictly forbidden. Failure to comply will incur a liability for Damages.
Promation Engineering Inc. 16138 Flight Path Drive Brooksville, FL 34604	
Phone: 352-544-8436 Fax: 352-544-8439	

ProMation Engineering, Inc.

Dwg. Name P2_3 with 1818 Fiberglass Enclosure F07 8P22 DimData.idw

P2/3 w/ Enclosure Dimensional Data Rev. A

Dimensional Data for P2/3 Actuators with 8" x 8" x 6" Fiberglass Enclosure

NO SCALE Sheet Number: 1