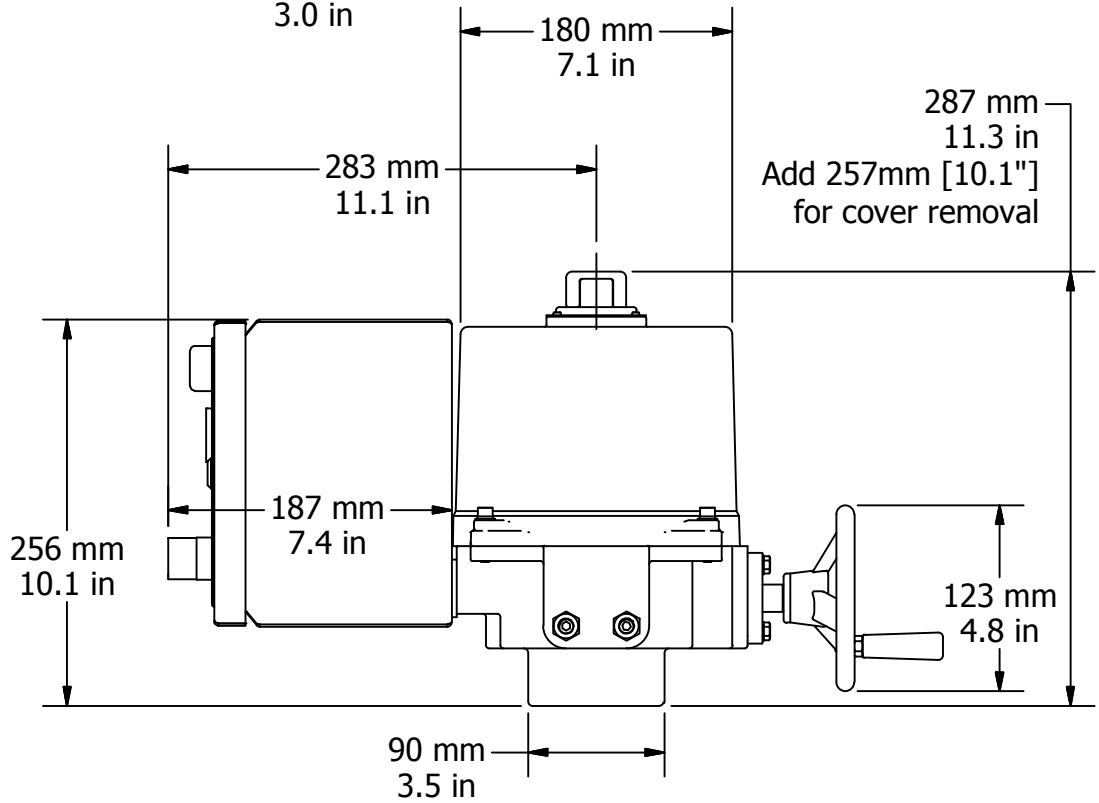
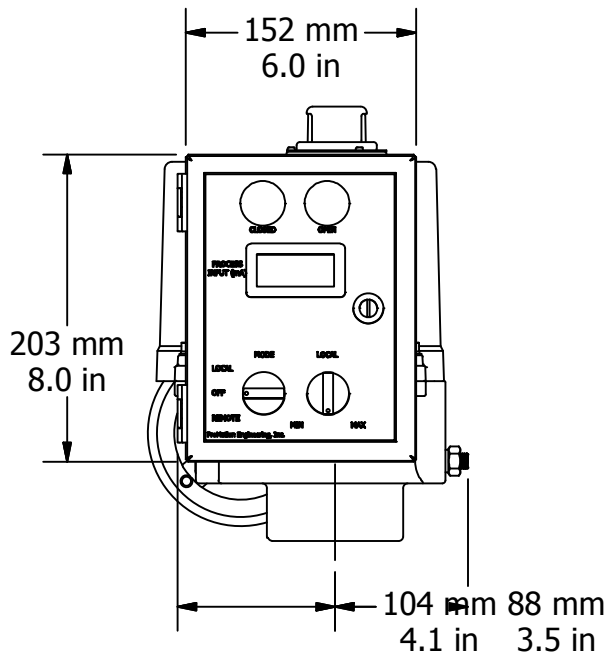
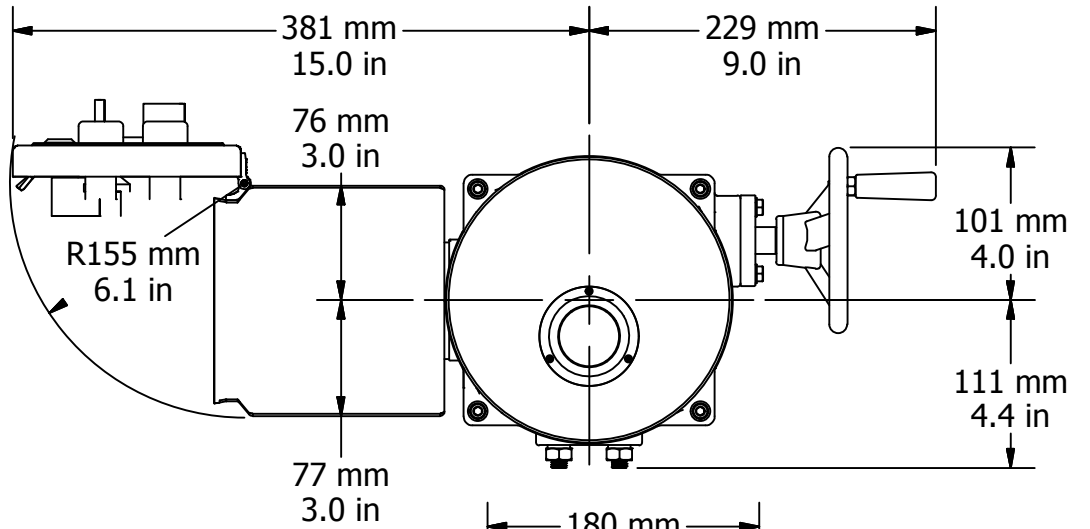
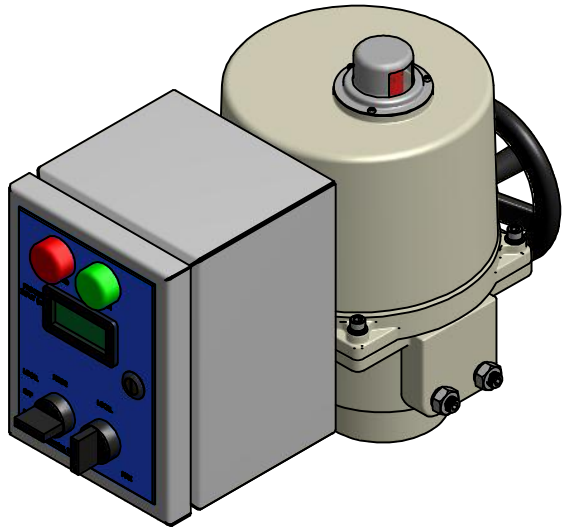
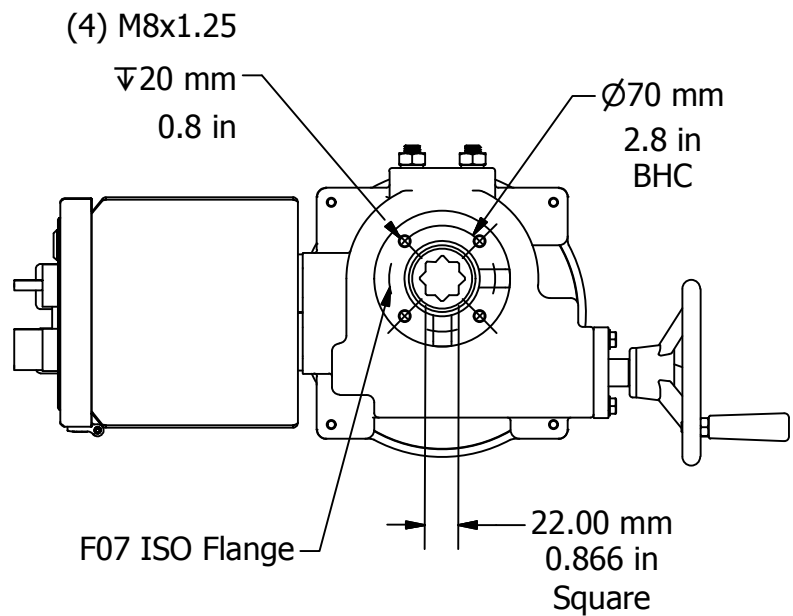
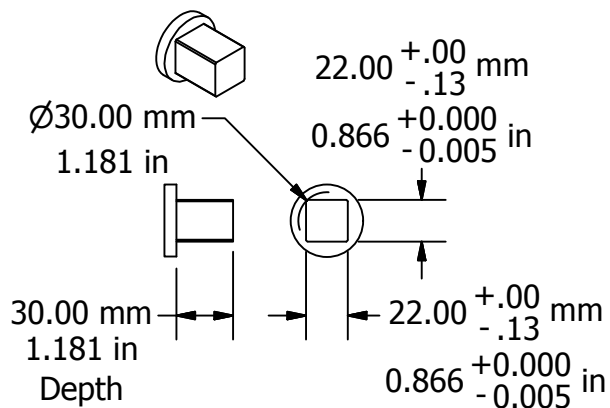


### Engineering Change Notice

REV	Change Date	Description	Name
A	05.07.2015	New Document	KHL
B			
C			
D			
E			
F			



#### Drive Coupling Fabrication Data



Drawn By KHL	Created: 5/7/2015
Checked By KHL	Last Checked: 5/7/2015
Material	Finish
Dimensional Tolerances (Unless Otherwise Noted): X ± 2.5mm [X.X ± .1] X.X ± .3mm [X.XX ± .01"] X.XX ± .13mm [X.XXX ± .005"] ALL TOLERANCE FEATURES IN mm	

Part No.	This Document is the property of ProMation Engineering, Inc. Distribution of this document without the written consent of the owner is Strictly forbidden. Failure to comply will incur a liability for Damages.
Promation Engineering Inc. 16138 Flight Path Drive Brooksville, FL 34604	
Phone: 352-544-8436 Fax: 352-544-8439	

<b>ProMation Engineering, Inc.</b>	
Dwg. Name	P2_3 with LCS LH F07 8P22 DimData.idw
	P2~P3 with LCS LH Dim Data
Rev.	A
Dimensional Data for P2~P3 Actuators with LCS LH	
NO SCALE	Sheet Number: 1