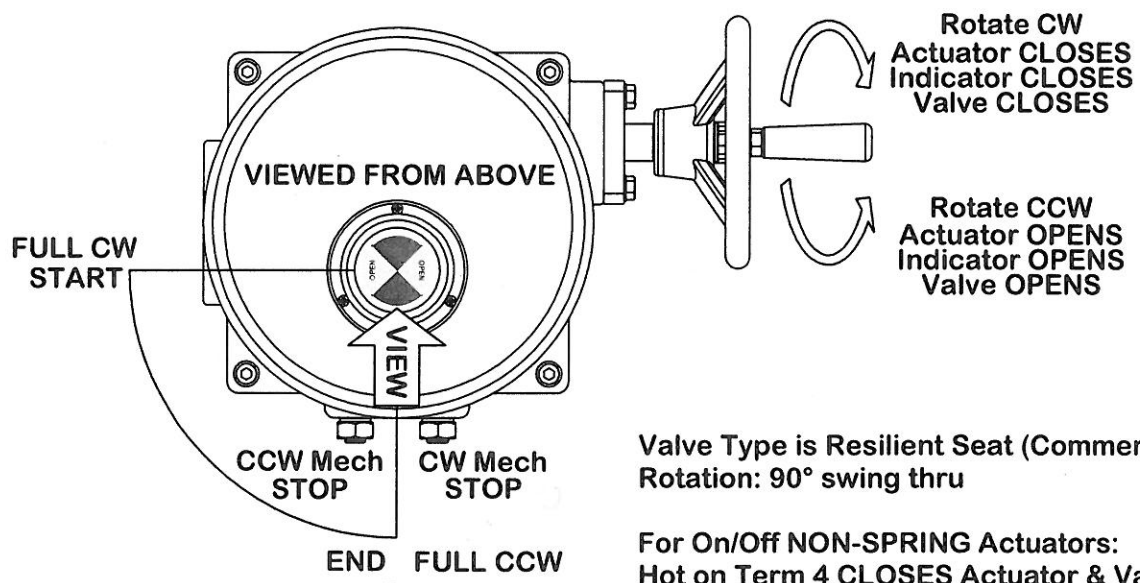
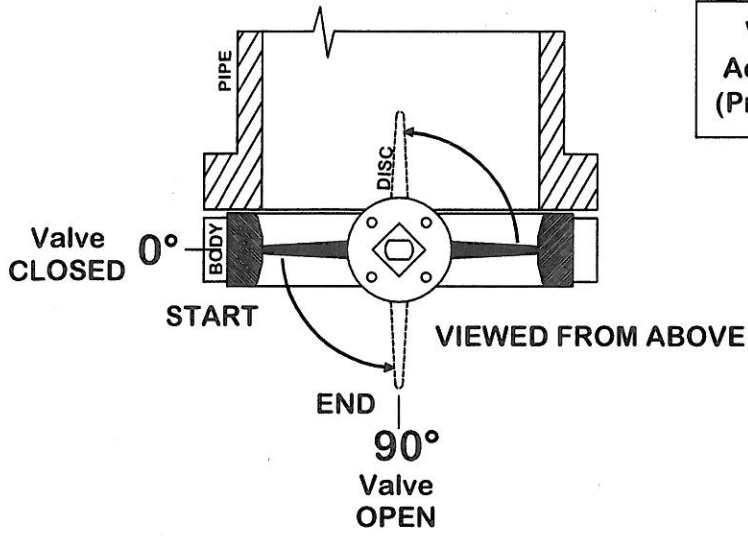


HP = CW or CCW

Resilient Seat (360° swing) Non-Spring Return

MOUNTING

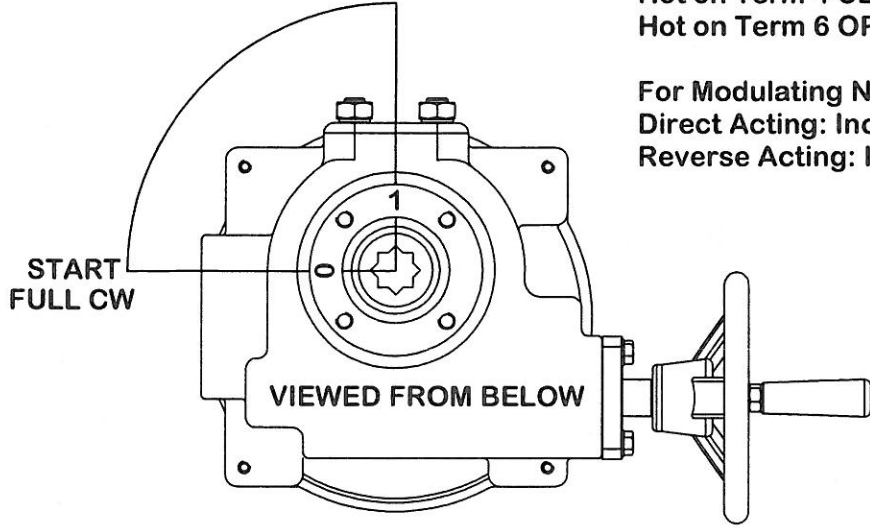
Valve CLOSED
Actuator CLOSED
(Preferred Method)



Valve Type is Resilient Seat (Commercial)
Rotation: 90° swing thru

For On/Off NON-SPRING Actuators:
Hot on Term 4 CLOSES Actuator & Valve
Hot on Term 6 OPENS Actuator & Valve

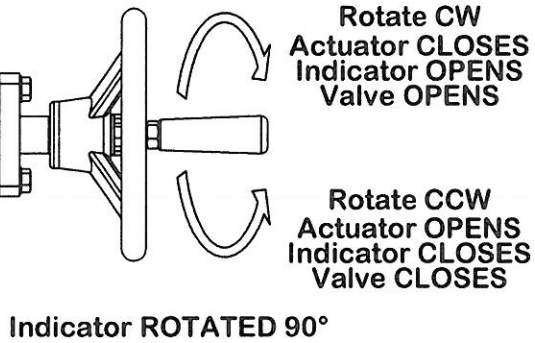
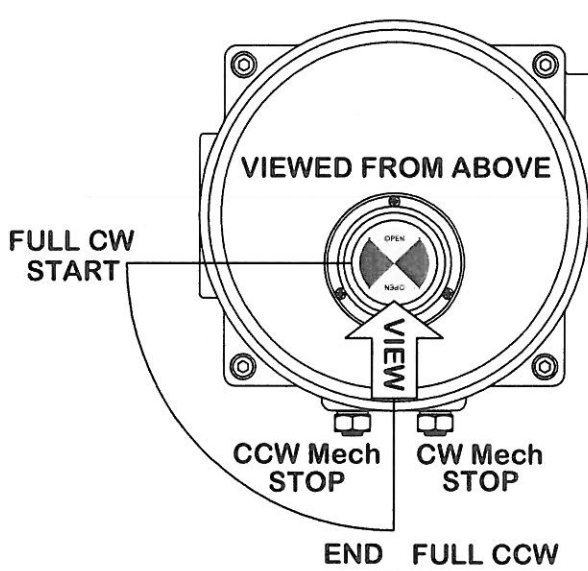
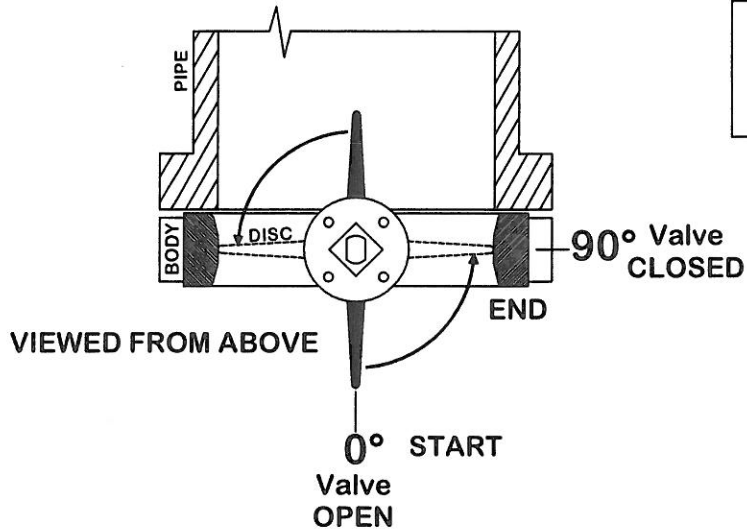
For Modulating NON-SPRING Actuators:
Direct Acting: Increase in Signal OPENS Valve
Reverse Acting: Increase in Signal CLOSES Valve



Resilient Seat (360° swing) Non-Spring Return

MOUNTING

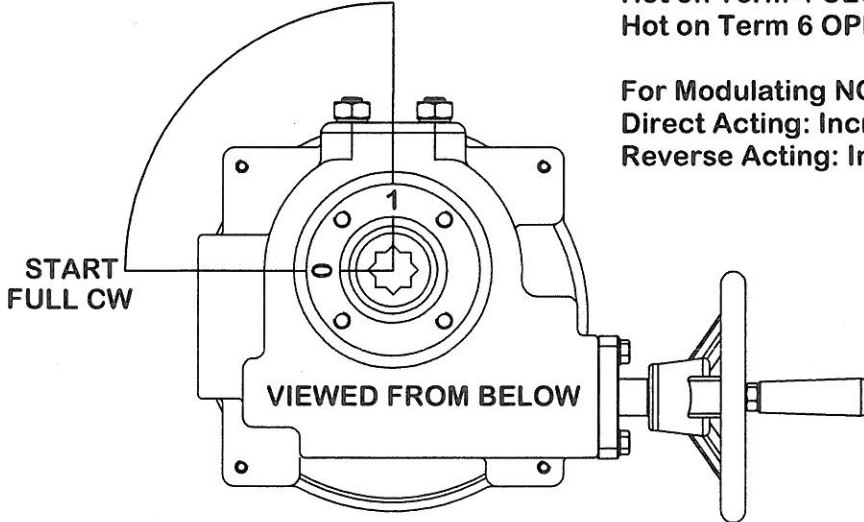
Valve OPEN
Actuator CLOSED



Valve Type is Resilient Seat (Commercial)
Rotation: 90° swing thru

For On/Off NON-SPRING Actuators:
Hot on Term 4 CLOSES Actuator & OPENS Valve
Hot on Term 6 OPENS Actuator & CLOSES Valve

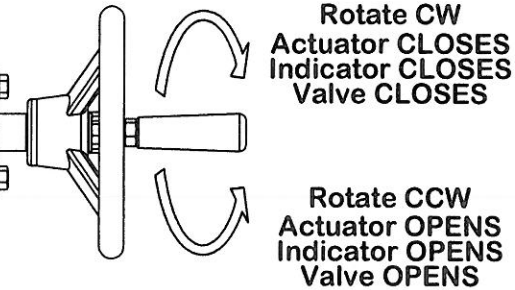
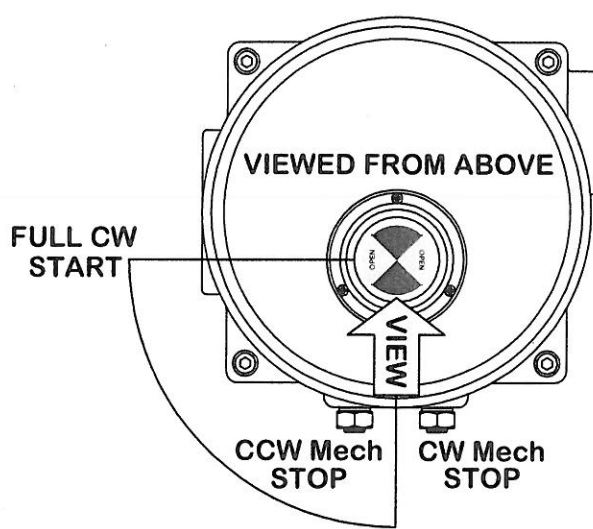
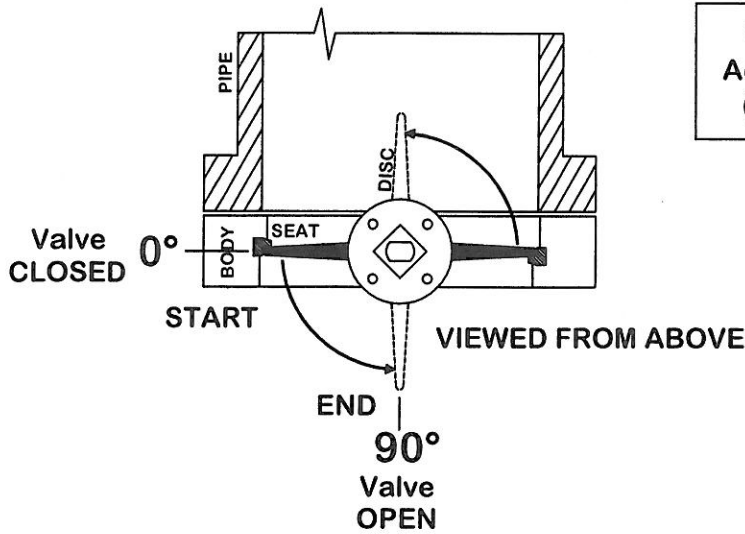
For Modulating NON-SPRING Actuators:
Direct Acting: Increase in Signal CLOSES Valve
Reverse Acting: Increase in Signal OPENS Valve



High Performance (90° ONLY) Non-Spring Return

MOUNTING

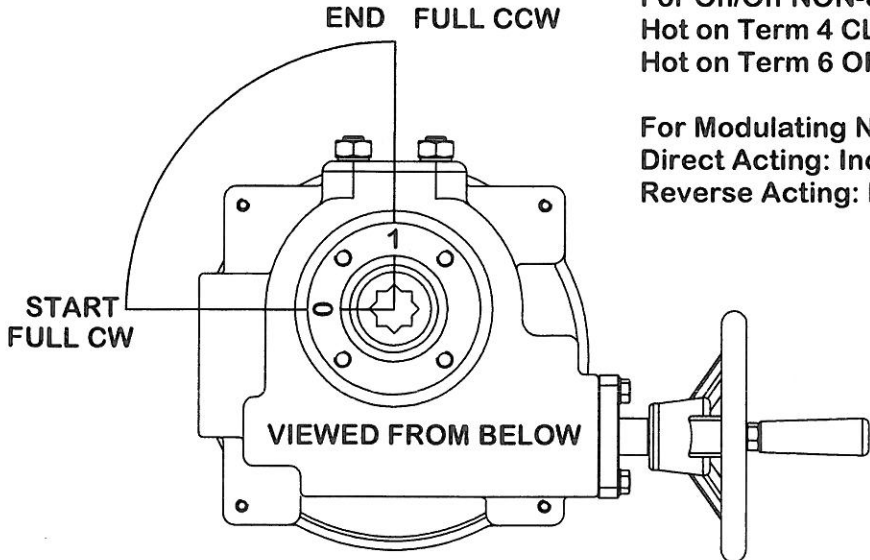
Valve CLOSED
Actuator CLOSED
(ONLY Method)



Valve Type is High Performance
Rotation: 90° to Open ONLY

For On/Off NON-SPRING Actuators:
Hot on Term 4 CLOSSES Actuator & Valve
Hot on Term 6 OPENS Actuator & Valve

For Modulating NON-SPRING Actuators:
Direct Acting: Increase in Signal OPENS Valve
Reverse Acting: Increase in Signal CLOSSES Valve

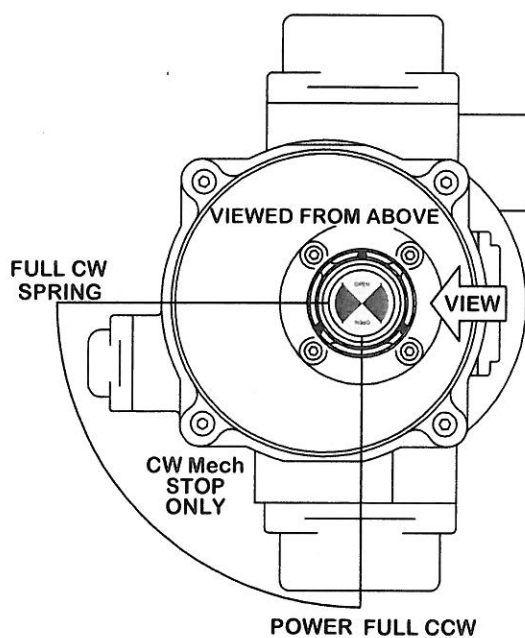
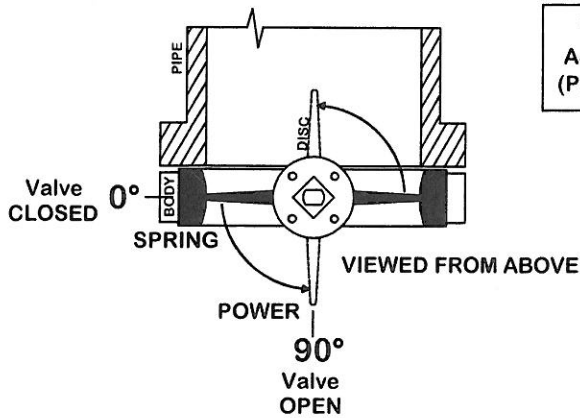


*critical to
ASK IF H.P.
Butterfly -*

Resilient Seat (360° swing) CW Spring Return Valve Fails CLOSED

MOUNTING

Valve CLOSED
Actuator CLOSED
(Preferred Method)



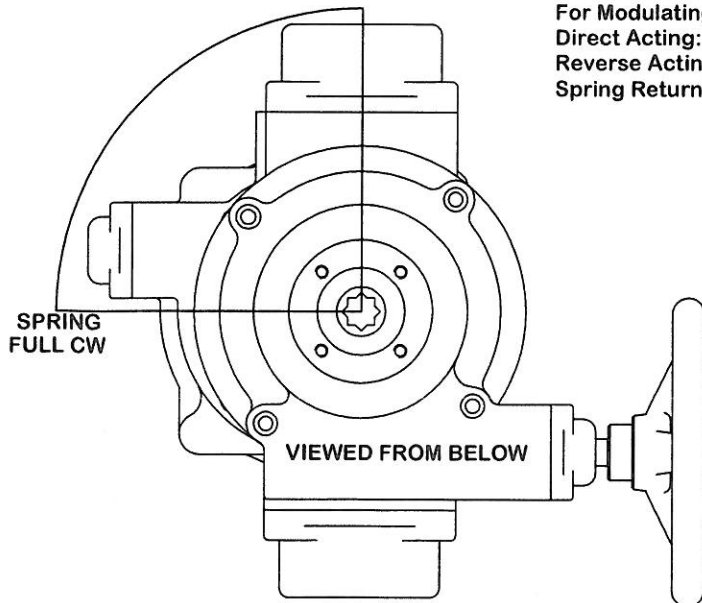
(Spring Return)
Rotate CW
Actuator FREEWHEELS TO FULL CW
Indicator CLOSSES
Valve CLOSSES

Rotate CCW
Actuator LOADS
Indicator OPENS
Valve OPENS
(Load Spring)

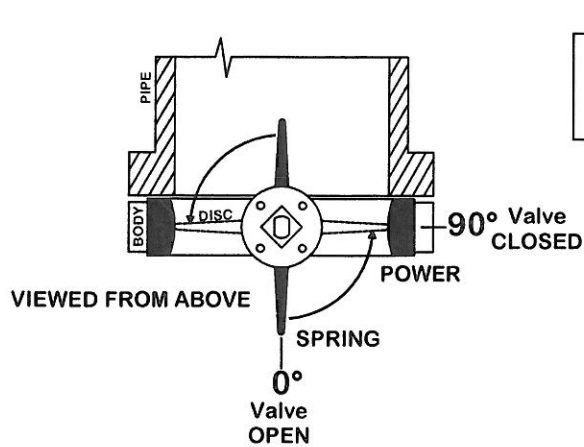
Valve Type is Resilient Seat (Commercial)
Rotation: 90° swing thru

For On/Off CW SPRING RETURN Actuators:
Hot on Term 3 LOADS Actuator & OPENS Valve
Spring Return CLOSSES Valve

For Modulating CW SPRING RETURN Actuators:
Direct Acting: Increase in Signal LOADS Actuator & OPENS Valve
Reverse Acting: Decrease in Signal LOADS Actuator & OPENS Valve
Spring Return CLOSSES Valve, regardless of response mode

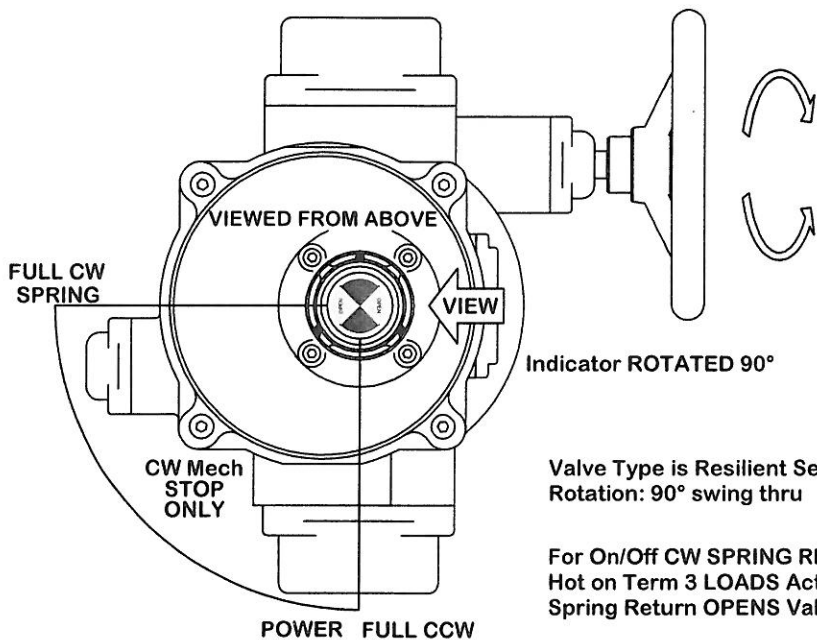


Resilient Seat (360° swing) CW Spring Return Valve Fails OPEN



MOUNTING

Valve OPEN
Actuator CLOSED



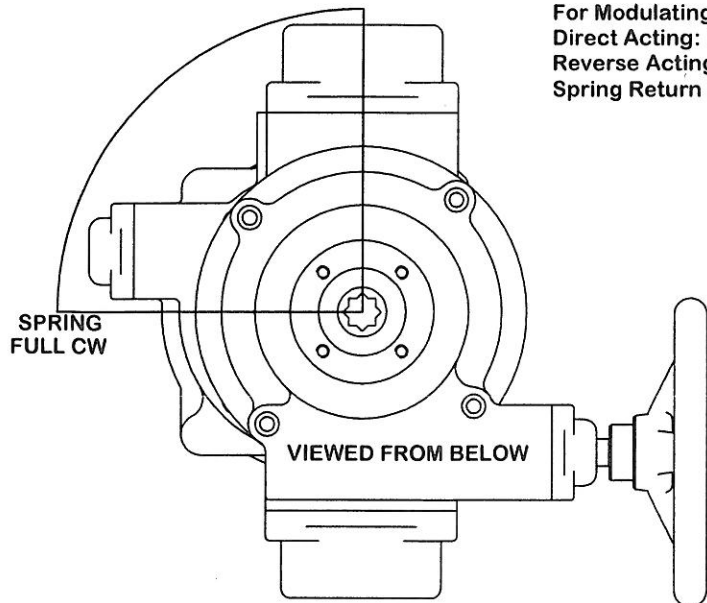
(Spring Return)
Rotate CW
Actuator FREEWHEELS TO FULL CW
Indicator OPENS
Valve OPENS

Rotate CCW
Actuator LOADS
Indicator CLOSES
Valve CLOSES
(Load Spring)

Valve Type is Resilient Seat (Commercial)
Rotation: 90° swing thru

For On/Off CW SPRING RETURN Actuators:
Hot on Term 3 LOADS Actuator & CLOSES Valve
Spring Return OPENS Valve

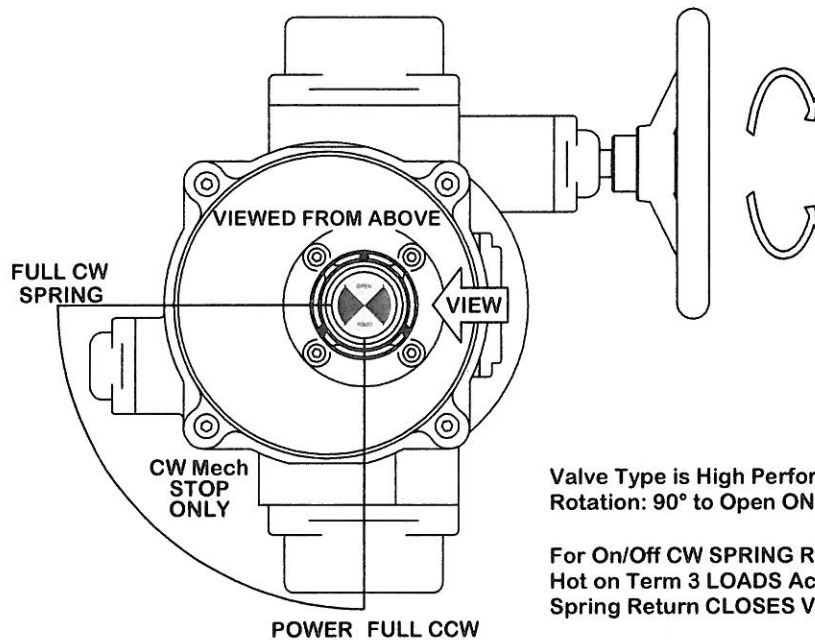
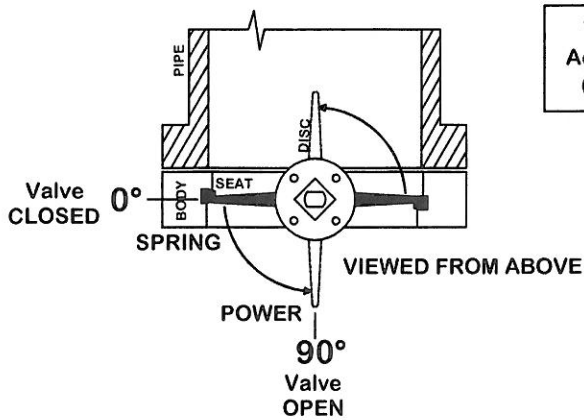
For Modulating CW SPRING RETURN Actuators:
Direct Acting: Increase in Signal LOADS Actuator & CLOSES Valve
Reverse Acting: Decrease in Signal LOADS Actuator & CLOSES Valve
Spring Return OPENS Valve, regardless of response mode



High Performance (90° ONLY) CW Spring Return Valve Fails CLOSED

MOUNTING

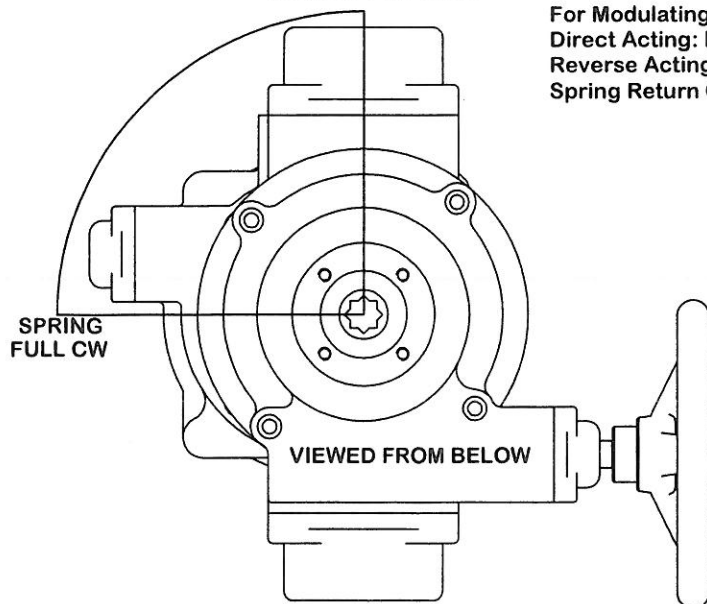
Valve CLOSED
Actuator CLOSED
(ONLY Method)



Valve Type is High Performance
Rotation: 90° to Open ONLY

For On/Off CW SPRING RETURN Actuators:
Hot on Term 3 LOADS Actuator & OPENS Valve
Spring Return CLOSSES Valve

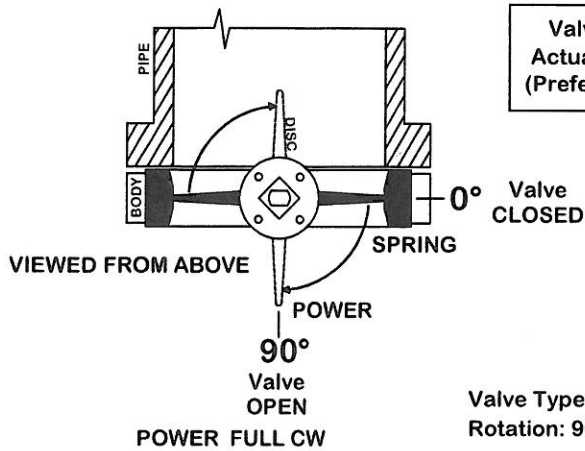
For Modulating CW SPRING RETURN Actuators:
Direct Acting: Increase in Signal LOADS Actuator & OPENS Valve
Reverse Acting: Decrease in Signal LOADS Actuator & OPENS Valve
Spring Return CLOSSES Valve, regardless of response mode



Resilient Seat (360° swing) CCW Spring Return Valve Fails CLOSED

MOUNTING

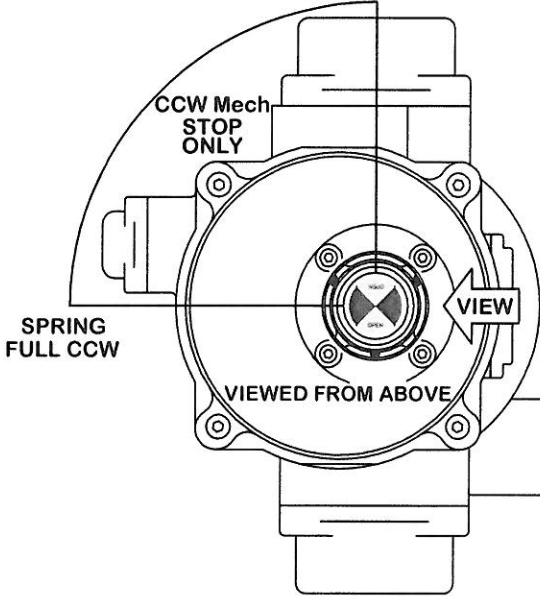
Valve CLOSED
Actuator CLOSED
(Preferred Method)



Valve Type is Resilient Seat (Commercial)
Rotation: 90° swing thru

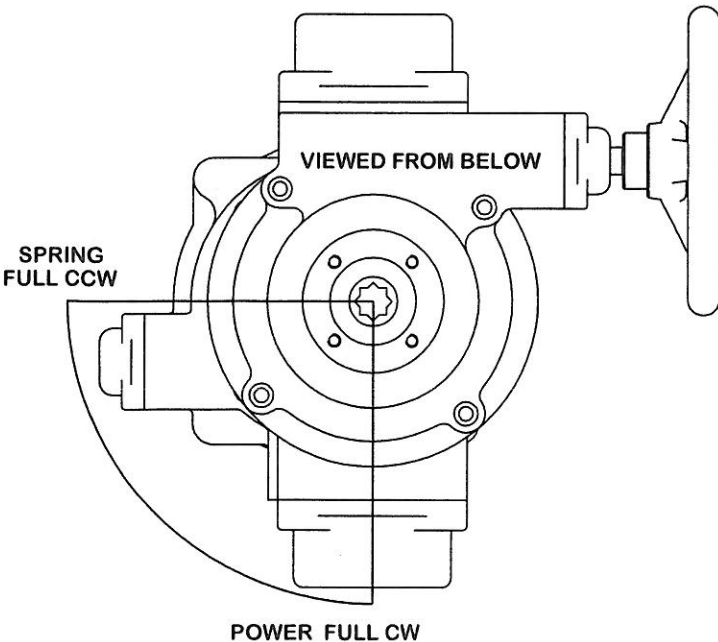
For On/Off CCW SPRING RETURN Actuators:
Hot on Term 3 LOADS Actuator & OPENS Valve
Spring Return CLOSES Valve

For Modulating CCW SPRING RETURN Actuators:
Direct Acting: Increase in Signal LOADS Actuator & OPENS Valve
Reverse Acting: Decrease in Signal LOADS Actuator & OPENS Valve
Spring Return CLOSES Valve, regardless of response mode



(Spring Return)
Rotate CW
Actuator FREEWHEELS TO FULL CW
Indicator CLOSES
Valve CLOSES

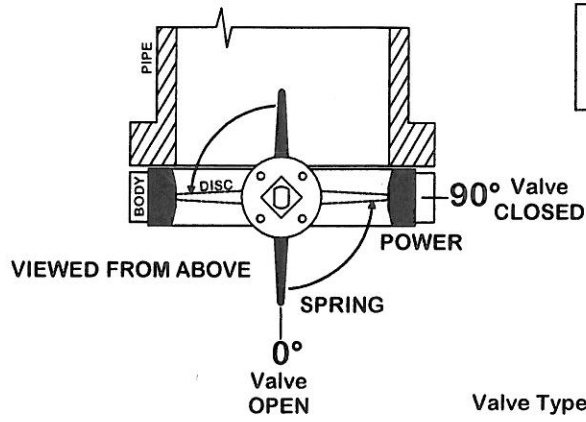
Rotate CCW
Actuator LOADS
Indicator OPENS
Valve OPENS
(Load Spring)



Resilient Seat (360° swing) CCW Spring Return Valve Fails OPEN

MOUNTING

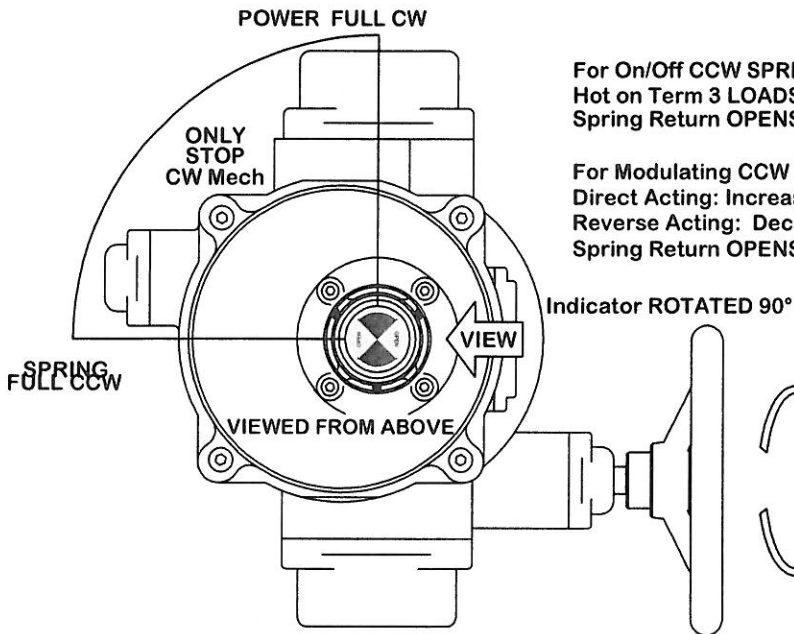
Valve OPEN
Actuator CLOSED



Valve Type is Resilient Seat (Commercial)

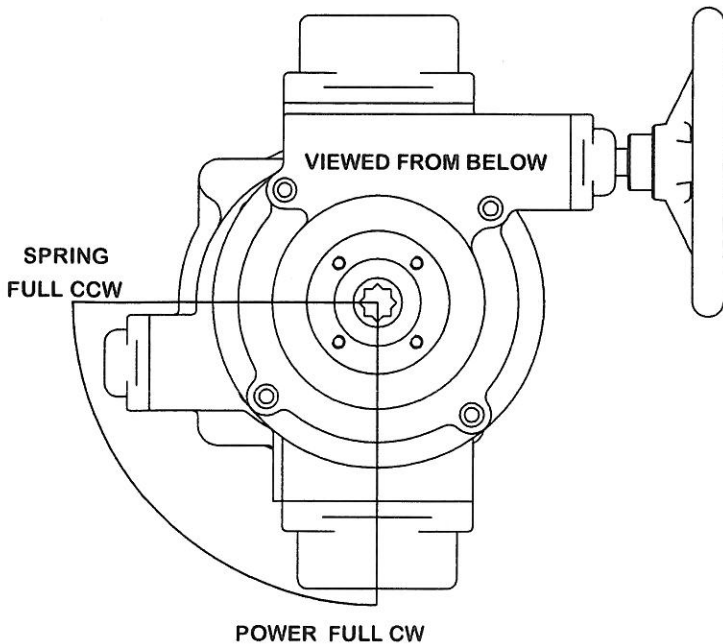
For On/Off CCW SPRING RETURN Actuators:
Hot on Term 3 LOADS Actuator & CLOSES Valve
Spring Return OPENS Valve

For Modulating CCW SPRING RETURN Actuators:
Direct Acting: Increase in Signal LOADS Actuator & CLOSES Valve
Reverse Acting: Decrease in Signal LOADS Actuator & CLOSES Valve
Spring Return OPENS Valve, regardless of response mode



(Spring Return)
Rotate CW
Actuator FREEWHEELS TO FULL CW
Indicator OPENS
Valve OPENS

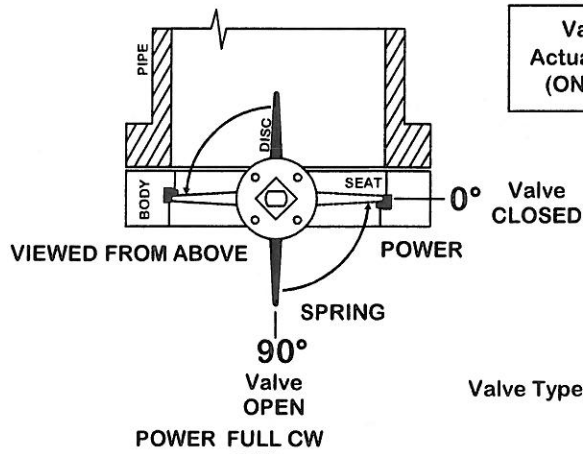
Rotate CCW
Actuator LOADS
Indicator CLOSES
Valve CLOSES
(Load Spring)



High Performance (90° ONLY) CCW Spring Return Valve Fails OPEN

MOUNTING

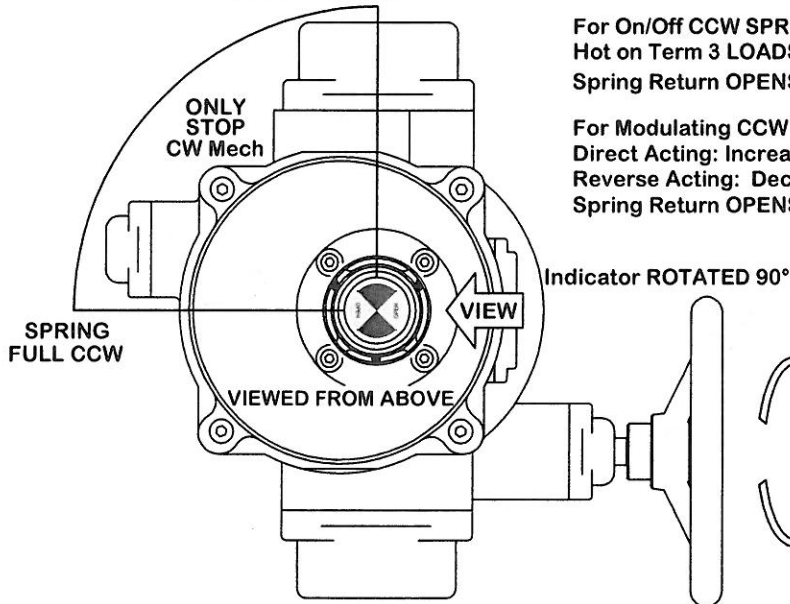
Valve OPEN
Actuator CLOSED
(ONLY Method)



Valve Type is Resilient Seat (Commercial)

For On/Off CCW SPRING RETURN Actuators:
Hot on Term 3 LOADS Actuator & CLOSES Valve
Spring Return OPENS Valve

For Modulating CCW SPRING RETURN Actuators:
Direct Acting: Increase in Signal LOADS Actuator & CLOSES Valve
Reverse Acting: Decrease in Signal LOADS Actuator & CLOSES Valve
Spring Return OPENS Valve, regardless of response mode



(Spring Return)
Rotate CW
Actuator FREEWHEELS TO FULL CW
Indicator OPENS
Valve OPENS

Rotate CCW
Actuator LOADS
Indicator CLOSES
Valve CLOSES
(Load Spring)

