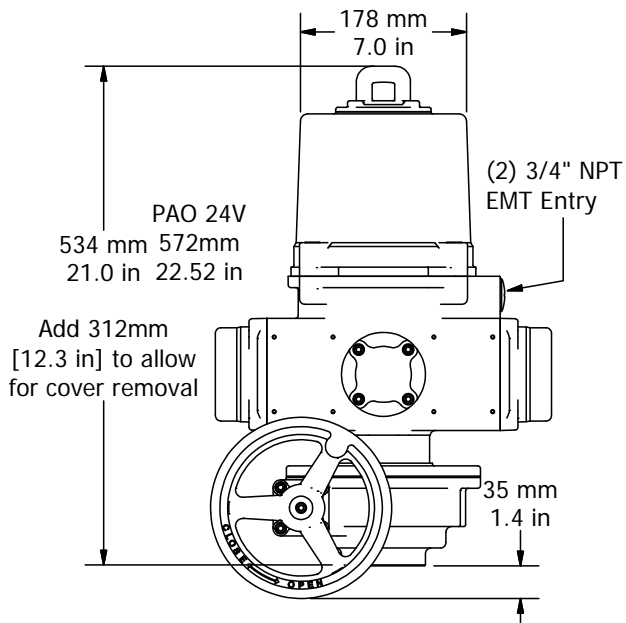
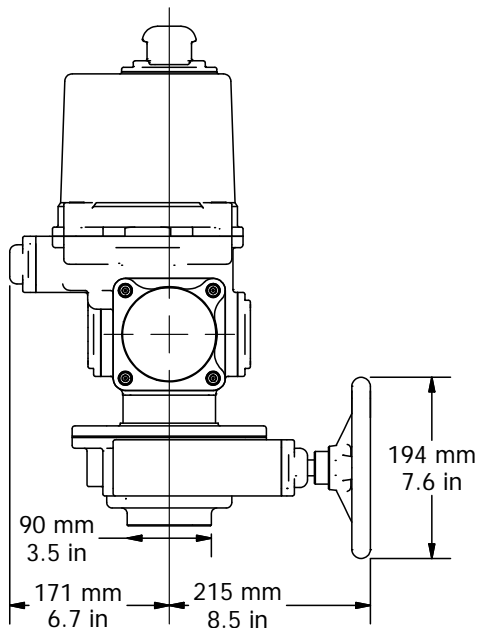
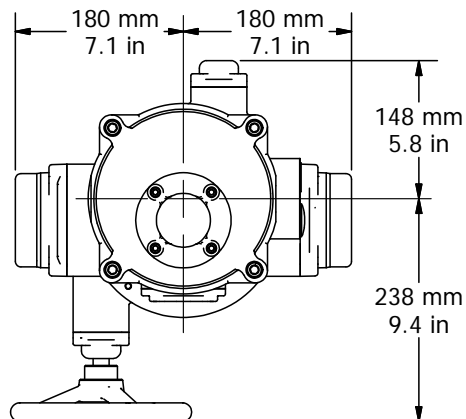
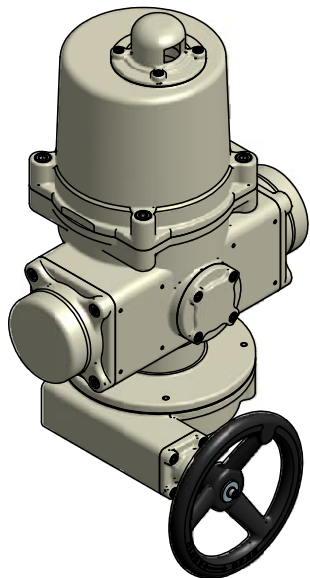
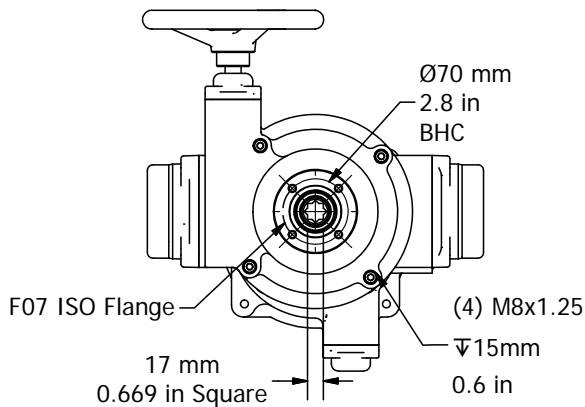
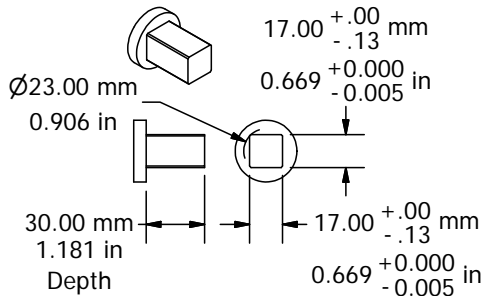


Engineering Change Notice			
REV	Change Date	Description	Name
A	11.14.2014	New Document	KHL
B	04.08.2015	Added Isometric view of Drive Coupling and "Depth" tag for clarity	KHL
C	04.07.2016	Added PA height front view	TJM
D			
E			
F			



Drive Coupling Fabrication Data



Drawn By KHL	Created: 11/14/2014	Part No.
Checked By KHL	Last Checked: 4/8/2015	This Document is the property of ProMation Engineering, Inc. Distribution of this document without the written consent of the owner is Strictly forbidden. Failure to comply will incur a liability for Damages.
Material Finish		

ProMation Engineering, Inc.  
16138 Flight Path Drive  
Brooksville, FL 34604  
Phone: 352-544-8436  
Fax: 352-544-8439

**ProMation Engineering, Inc.**

Dwg. Name PAO_CCW F07 8P17 DimData.idw	Rev. C
PAO-CCW Dim Data	

Dimensional Tolerances (Unless Otherwise Noted):  
X ± 2.5mm [X.X ± .1]  
X.X ± .3mm [X.XX ± .01"]  
X.XX ± .13mm [X.XXX ± .005"]  
ALL TOLERANCE FEATURES IN mm

ProMation Engineering Inc.  
16138 Flight Path Drive  
Brooksville, FL 34604  
Phone: 352-544-8436  
Fax: 352-544-8439

Dimensional Data for PAO-CCW Spring Return Actuators

NO SCALE	Sheet Number: 1
----------	-----------------