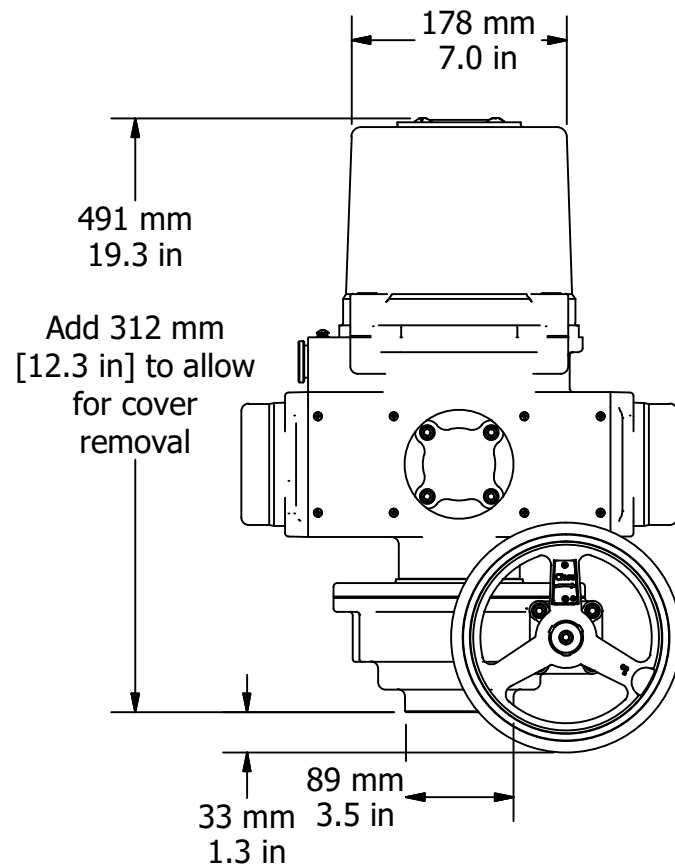
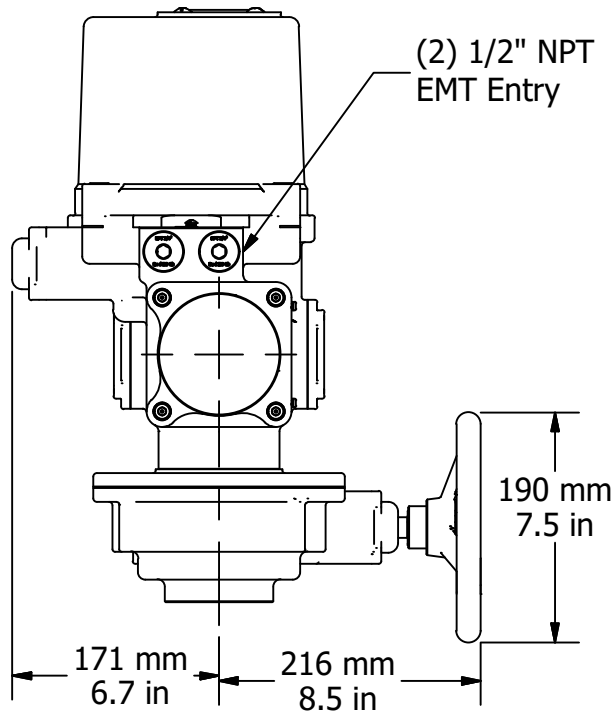
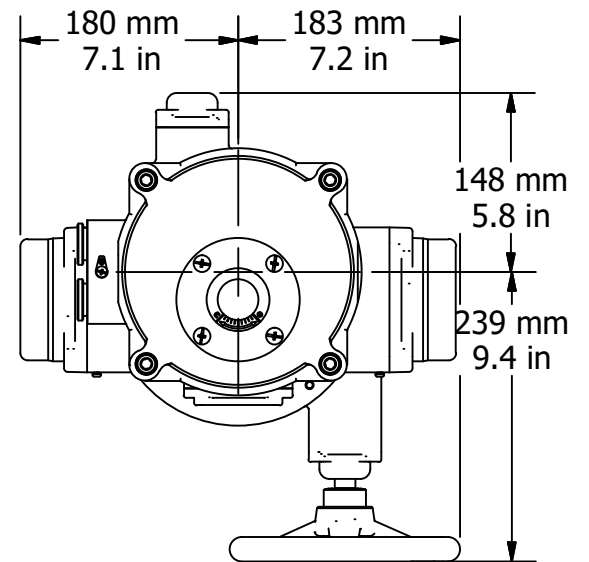
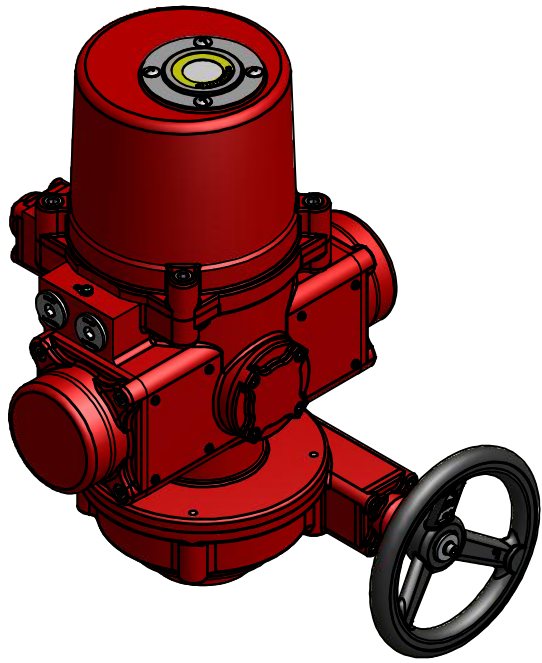
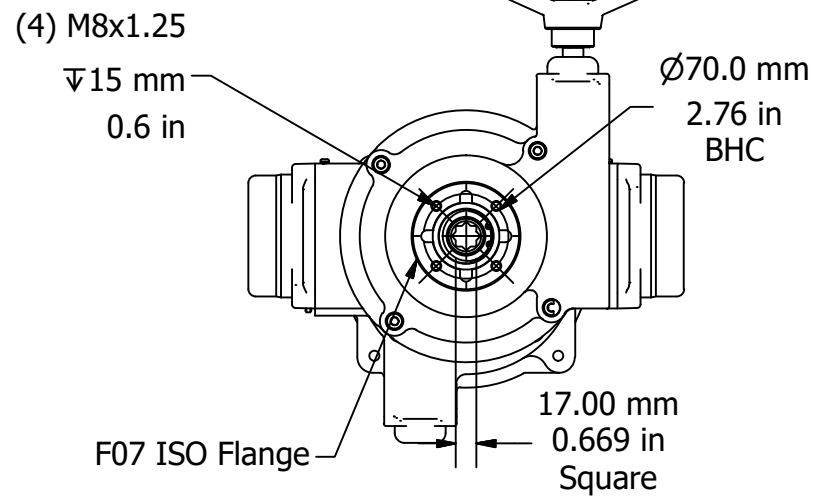
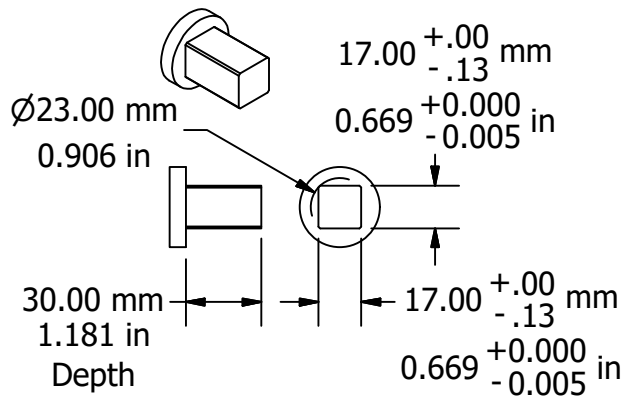


Engineering Change Notice

| REV | Change Date | Description | Name |
|-----|-------------|---|------|
| A | 10.06.21 | New from stp derived from PAO dim sheet | DJG |
| B | | | |
| C | | | |
| D | | | |
| E | | | |
| F | | | |



Drive Coupling Fabrication Data



| | |
|--|---------------------------|
| Drawn By DJG | Created: 7/9/2013 |
| Checked By DJG | Last Checked: 4/8/2015 |
| Material | Finish |
| Dimensional Tolerances (Unless Otherwise Noted): X ± 2.5mm [X.X ± .1] X.X ± .3mm [X.XX ± .01"] X.XX ± .13mm [X.XXX ± .005"] ALL TOLERANCE FEATURES IN mm | |

| | |
|--|--|
| Part No. | This Document is the property of ProMation Engineering, Inc. Distribution of this document without the written consent of the owner is Strictly forbidden. Failure to comply will incur a liability for Damages. |
| Promation Engineering Inc. 16138 Flight Path Drive Brooksville, FL 34604 | |
| Phone: 352-544-8436 Fax: 352-544-8439 | |

| | |
|--|-----------------|
| ProMation Engineering, Inc. | |
| Dwg. Name PAO_CW S7 F07 8P17 DimData.idw | Rev. A |
| PAO-CW S7 Dim Data | |
| Dimensional Data for Ex PAO-CW Spring Return Actuators | |
| NO SCALE | Sheet Number: 1 |