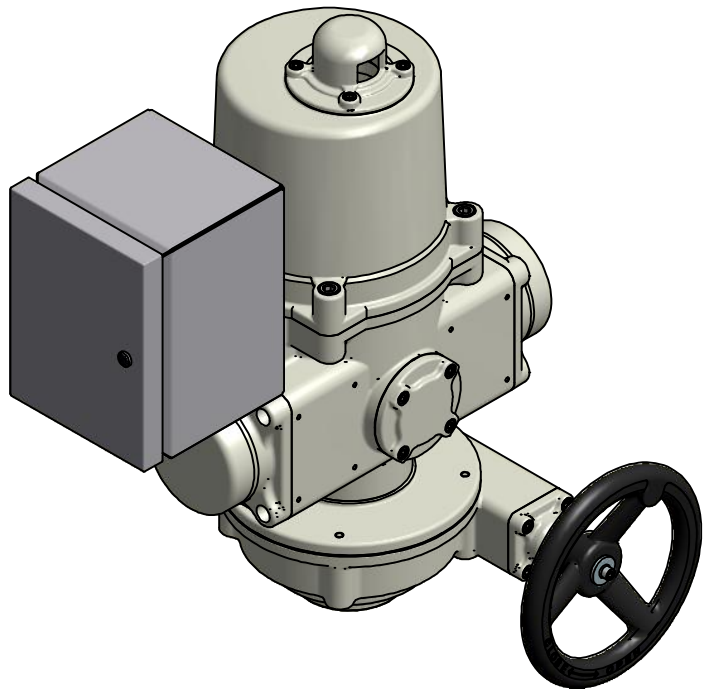
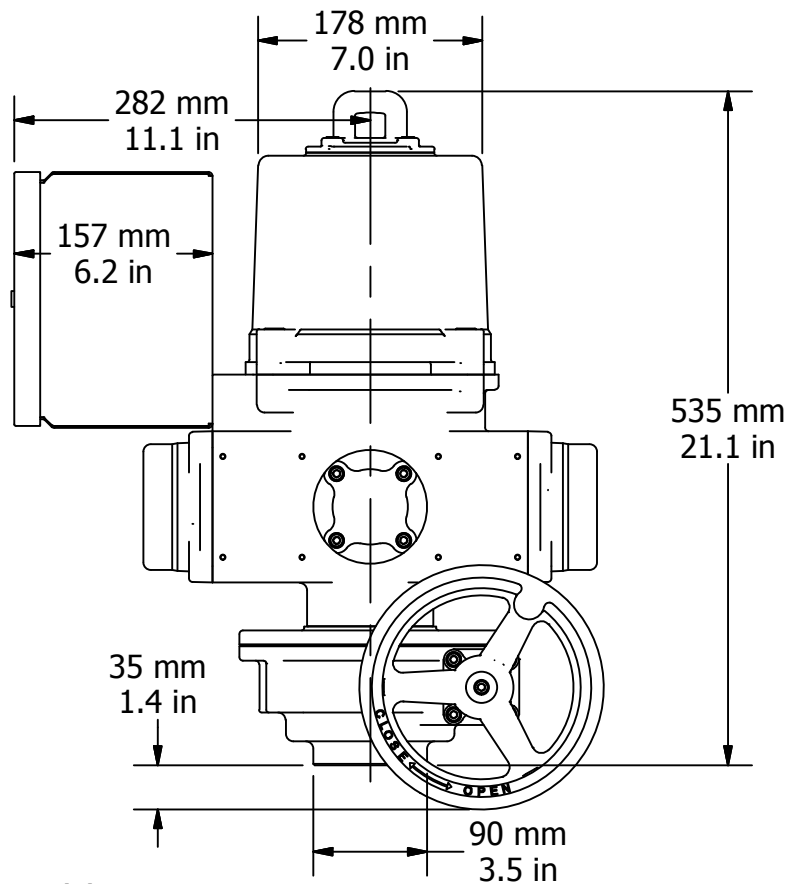
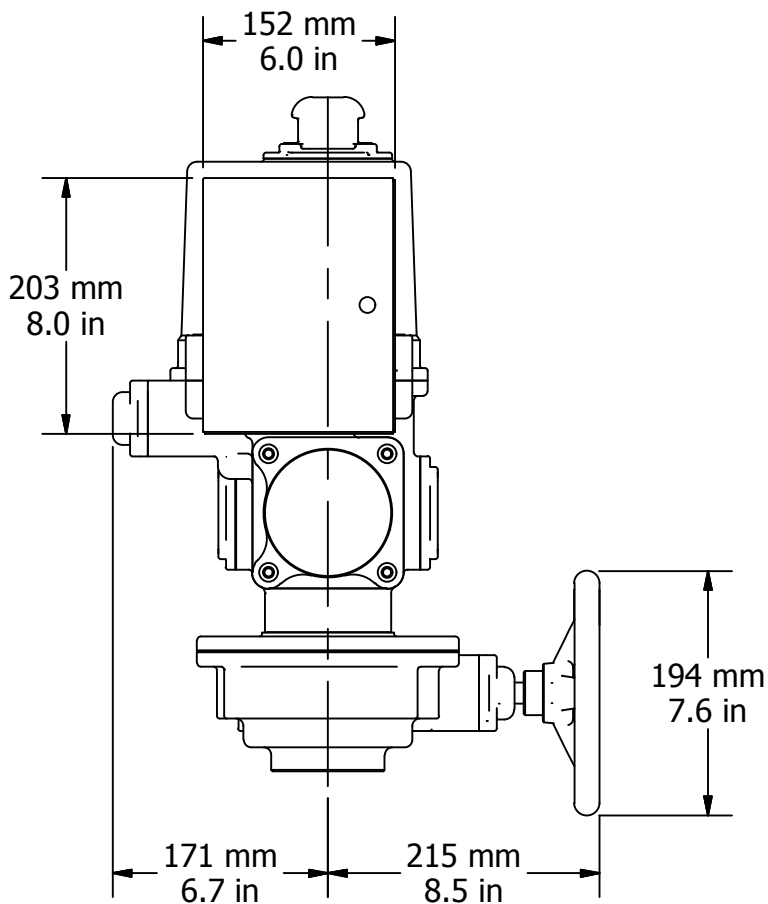
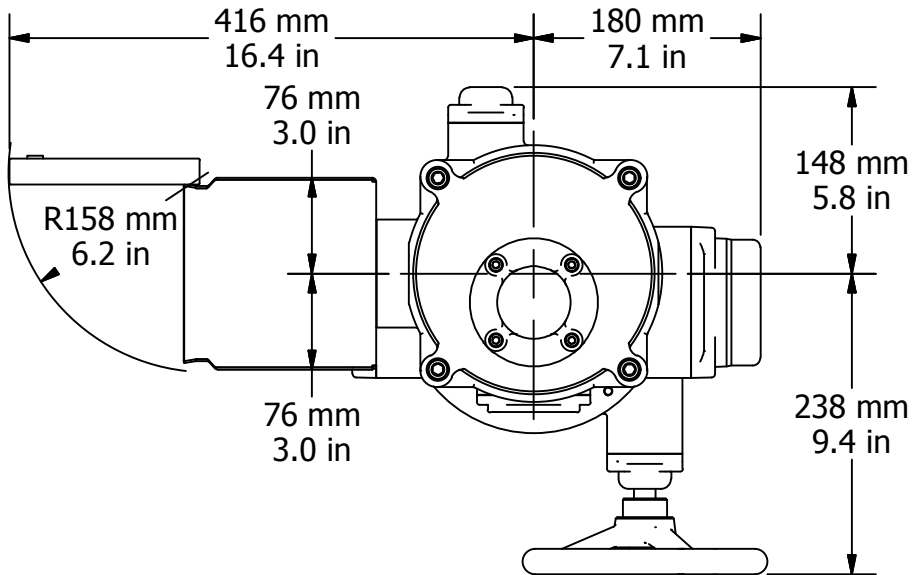


2

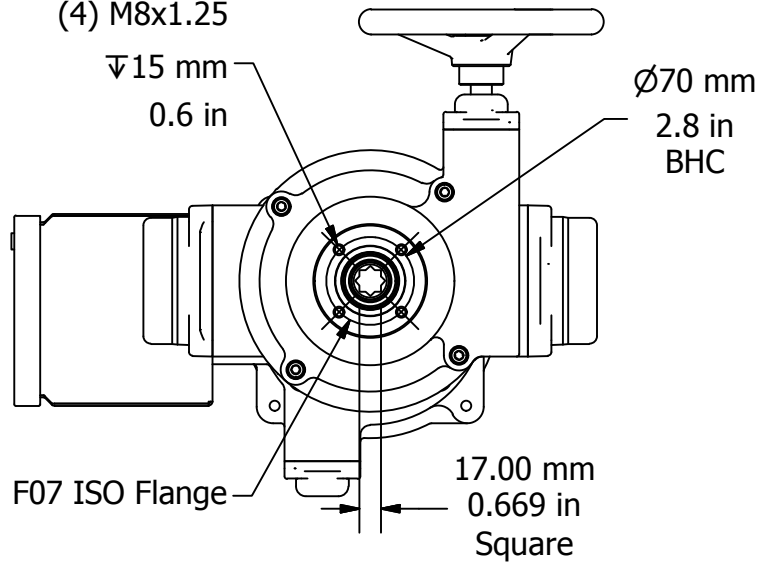
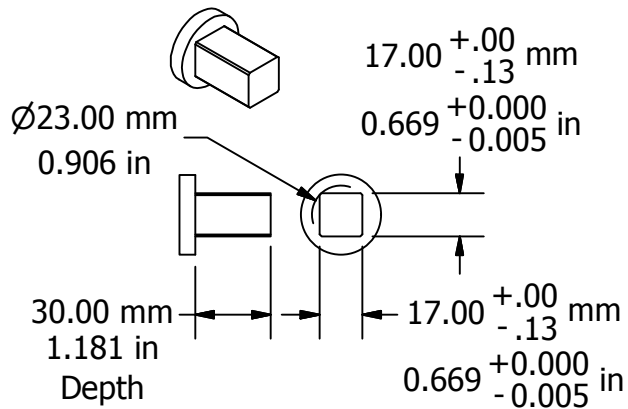
1



Engineering Change Notice			
REV	Change Date	Description	Name
A	05.08.2015	New Document	KHL
B			
C			
D			
E			
F			



Drive Coupling Fabrication Data



Drawn By KHL	Created: 5/8/2015
Checked By KHL	Last Checked: 5/8/2015
Material	Finish
Dimensional Tolerances (Unless Otherwise Noted): X ± 2.5mm [X.X ± .1] X.X ± .3mm [X.XX ± .01"] X.XX ± .13mm [X.XXX ± .005"] ALL TOLERANCE FEATURES IN mm	

Part No.	This Document is the property of ProMation Engineering, Inc. Distribution of this document without the written consent of the owner is Strictly forbidden. Failure to comply will incur a liability for Damages.
Promation Engineering Inc. 16138 Flight Path Drive Brooksville, FL 34604	
Phone: 352-544-8436 Fax: 352-544-8439	

<b>ProMation Engineering, Inc.</b>	
Dwg. Name PAO_CW with LCS F07 8P17 DimData.idw	Rev. A
PAO-CW Dim Data w/ LCS	
Dimensional Data for PAO-CW Spring Return Actuators with LCS	
NO SCALE	Sheet Number: 1

2

1