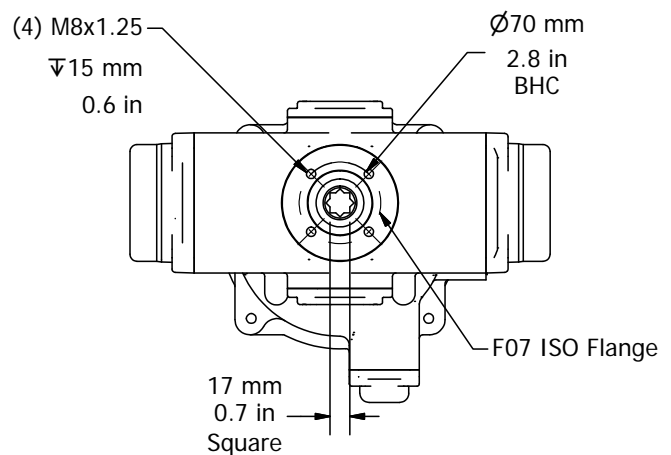
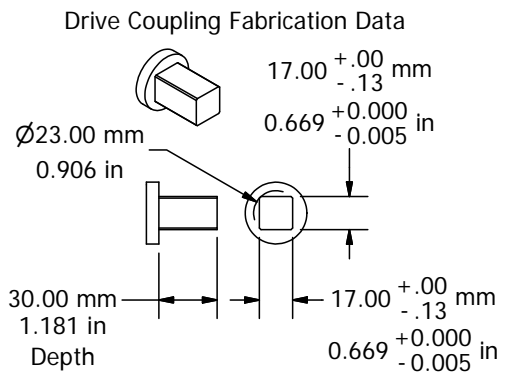
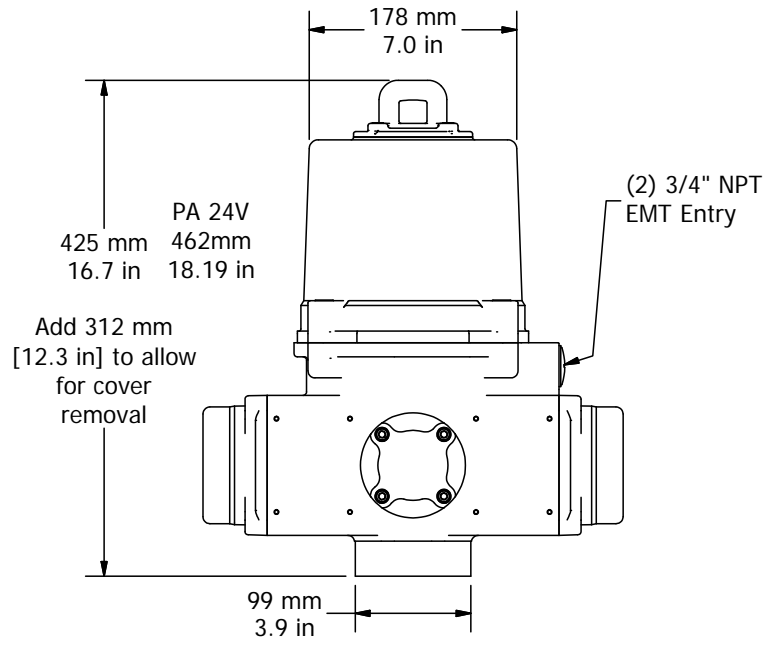
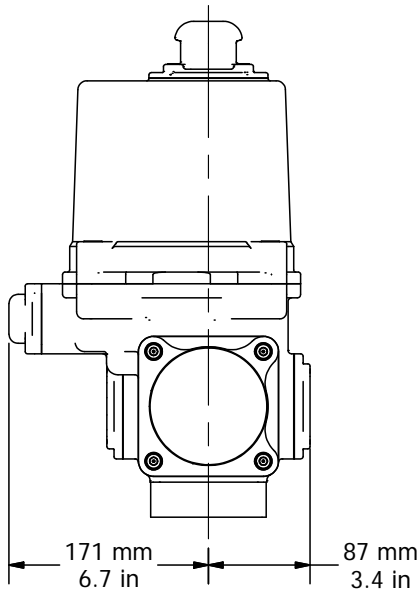
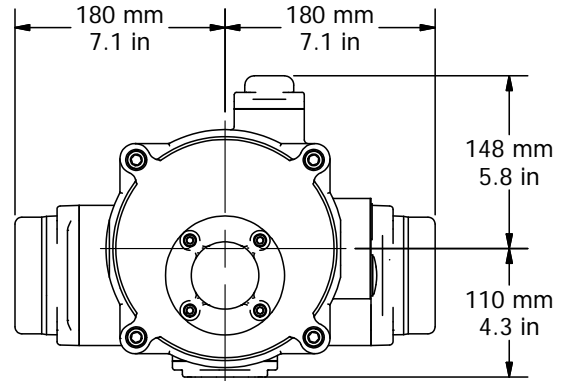
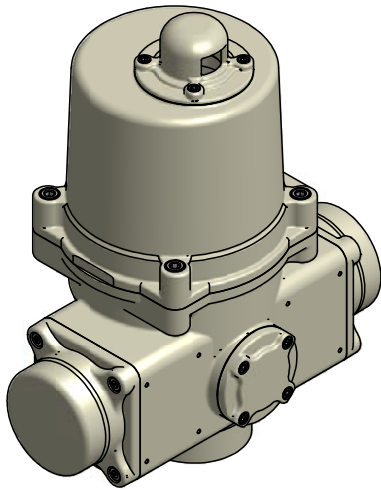


Engineering Change Notice			
REV	Change Date	Description	Name
A	06.16.2015	New Document	KHL
B	04.07.2016	Added 24v height front view	TJM
C			
D			
E			
F			



Drawn By KHL	Created: 6/16/2015	Part No.	ProMotion Engineering, Inc.	
Checked By KHL	Last Checked: 6/16/2015	This Document is the property of ProMotion Engineering, Inc. Distribution of this document without the written consent of the owner is Strictly forbidden. Failure to comply will incur a liability for Damages.		
Material Finish	Promotion Engineering Inc. 16138 Flight Path Drive Brooksville, FL 34604 Phone: 352-544-8436 Fax: 352-544-8439		PA-CCW Dim Data	Rev. A
Dimensional Tolerances (Unless Otherwise Noted): X ± 2.5mm [X.X ± .1] X.X ± .3mm [X.XX ± .01"] X.XX ± .13mm [X.XXX ± .005"] ALL TOLERANCE FEATURES IN mm			Dimensional Data for PA-CCW Spring Return Actuators	
			NO SCALE	Sheet Number: 1