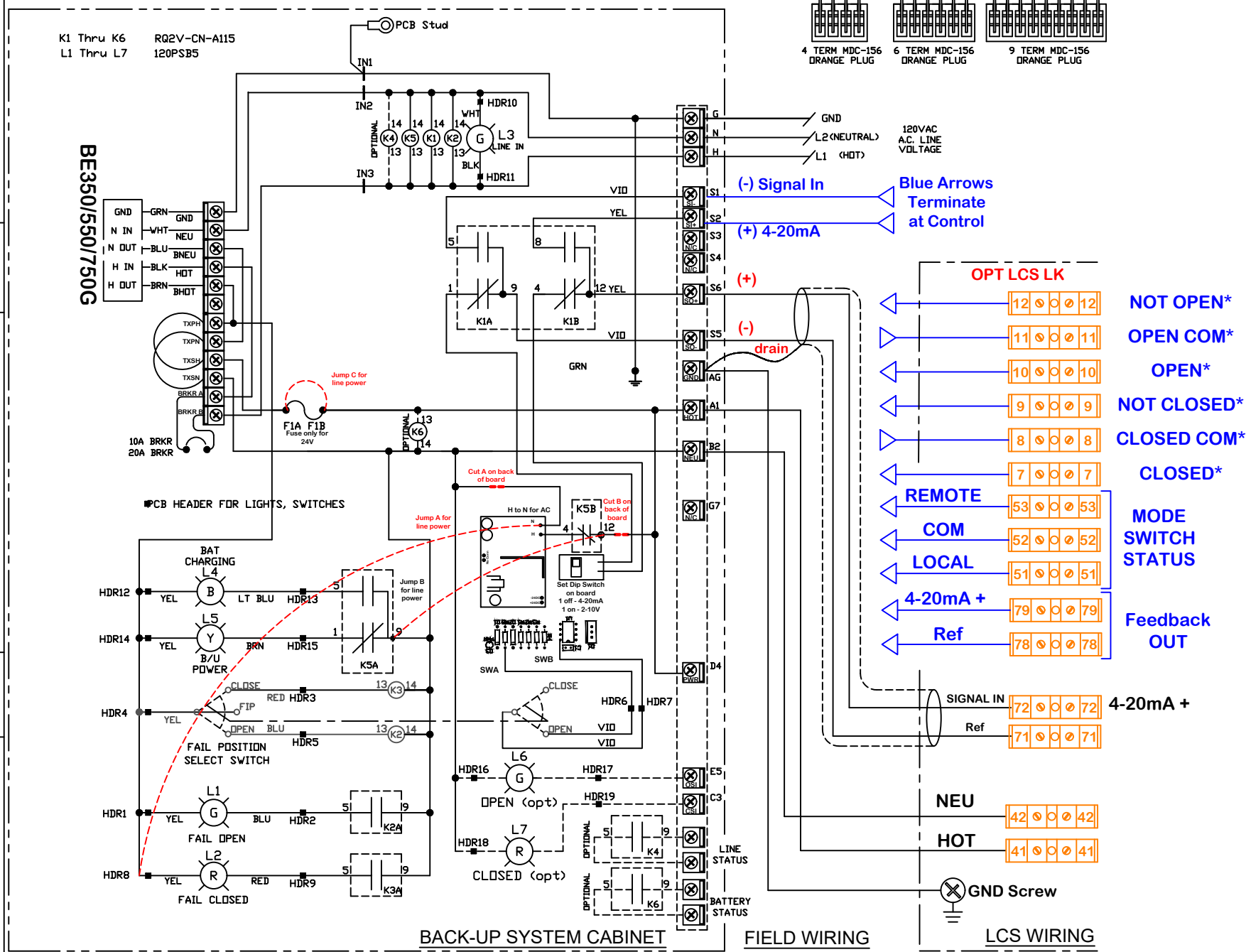


rev	change	date	name	revision	name
d	01:16:23	01:16:23	DUG		
b					
c					
d					
e					
f					
g					
h					
naming					
material no					
ind					
Wiring Diagram					
material					
dwn by:					
Date					
BJW 8.12.2011					
scale					
NONE					
PBU600_602_604-120 w LCS K					
Battery Backup System Full Schematic Diagram...All Components					
PBU600_602_604-120 w LCS K.dwg					
REV	A				



Use For:

PBU 600/602/604 P2-13 Prop 120AC with LCS K

This document is the property of ProMation Engineering, Inc. Distribution of this document without the written consent of the owner is strictly forbidden. Failure to comply will incur a liability for damages.

ProMation Engineering, Inc.
16138 Flight Path Drive
Brooksville, FL 34604
Ph:352-544-8436 Fx(352-544-8439