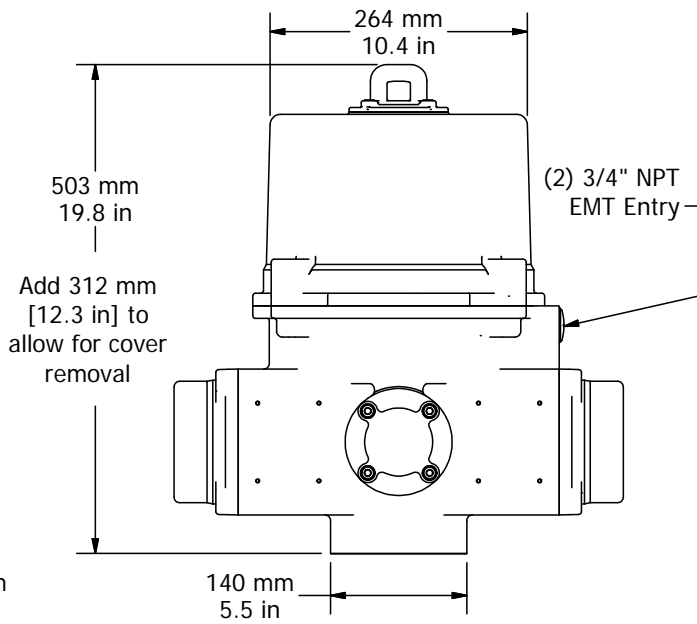
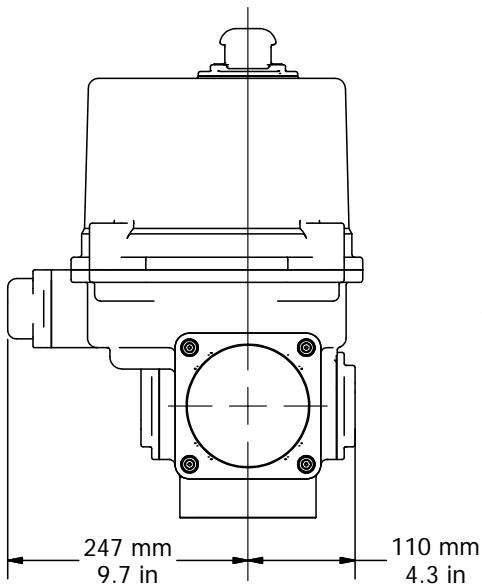
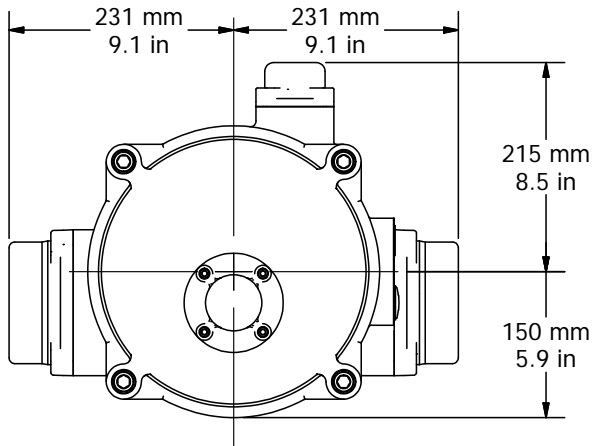
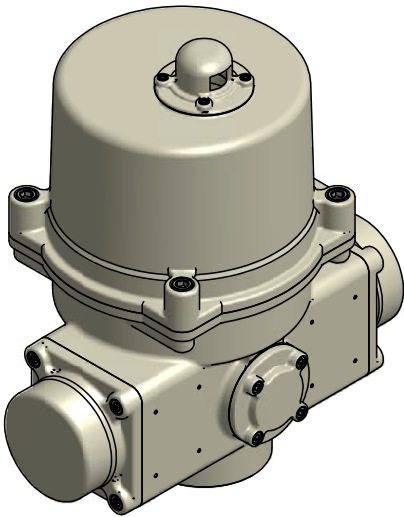
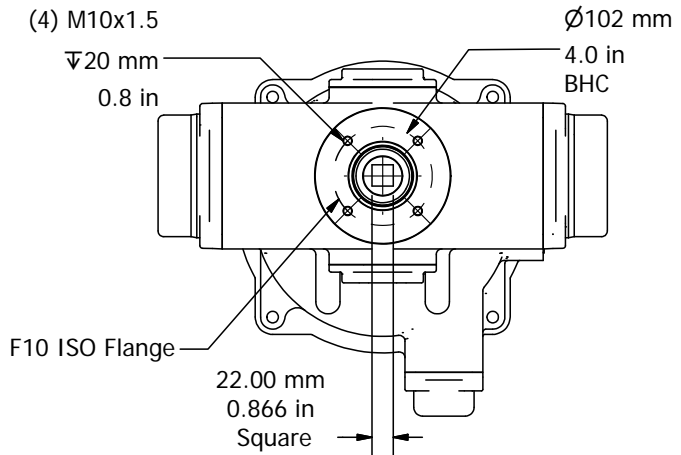
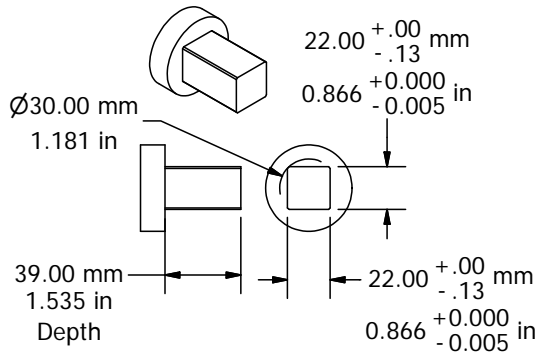


Engineering Change Notice			
REV	Change Date	Description	Name
A	11.24.2015	New Document	TJMkh
B	04.08.16	F10 ISO Flange text added	TJM
C			
D			
E			
F			



Drive Coupling Fabrication Data



Drawn By TJM	Created: 11/24/2015	Part No.
Checked By TJM	Last Checked: 11/24/2015	This Document is the property of ProMation Engineering, Inc. Distribution of this document without the written consent of the owner is Strictly forbidden. Failure to comply will incur a liability for Damages.
Material	Finish	
Dimensional Tolerances (Unless Otherwise Noted): X ± 2.5mm [X.X ± .1] X.X ± .3mm [X.XX ± .01"] X.XX ± .13mm [X.XXX ± .005"] ALL TOLERANCE FEATURES IN mm		ProMation Engineering Inc. 16138 Flight Path Drive Brooksville, FL 34604 Phone: 352-544-8436 Fax: 352-544-8439

<b>ProMation Engineering, Inc.</b>		
Dwg. Name	PB_CCW F10 8P22 DimData.idw	
	PB-CCW Dim Data	Rev. A
Dimensional Data for PB-CCW Spring Return Actuators		
NO SCALE		Sheet Number: 1