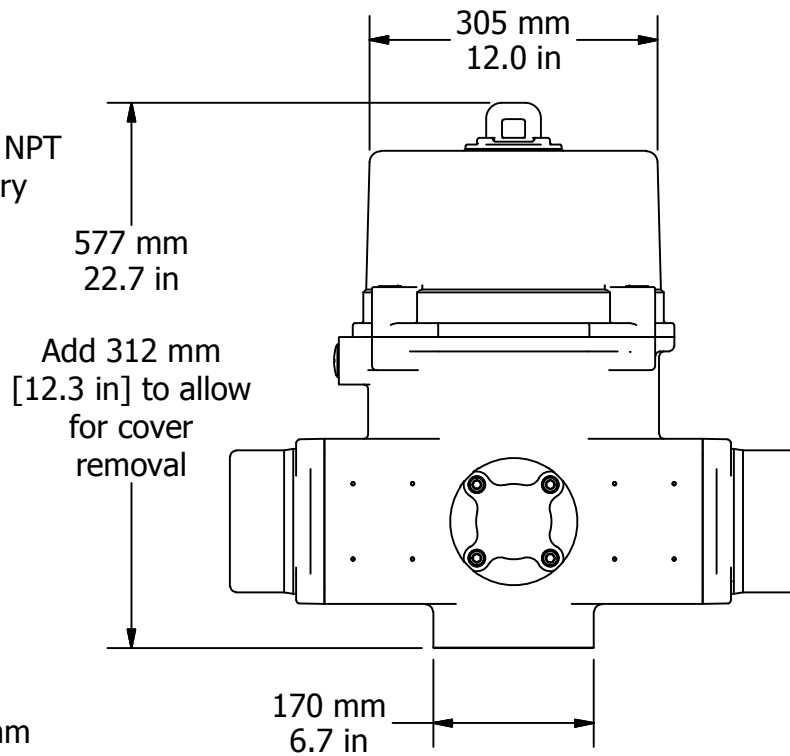
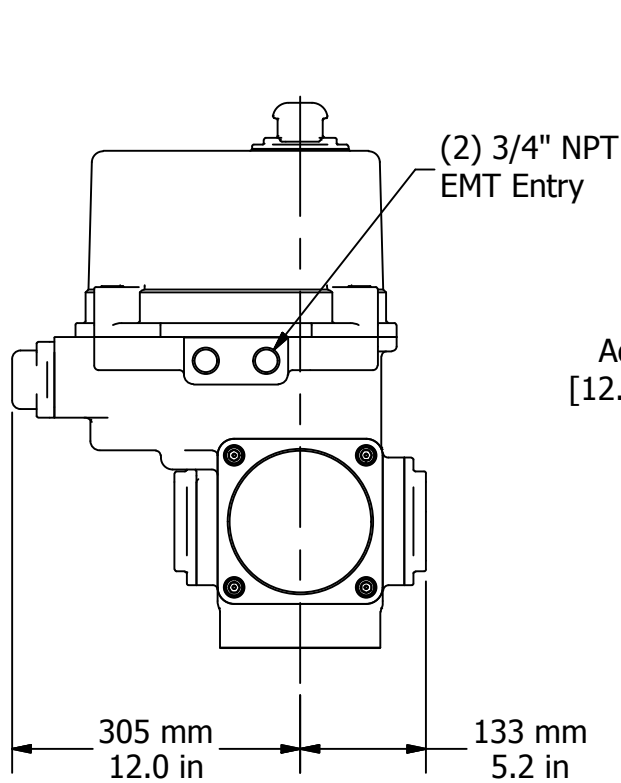
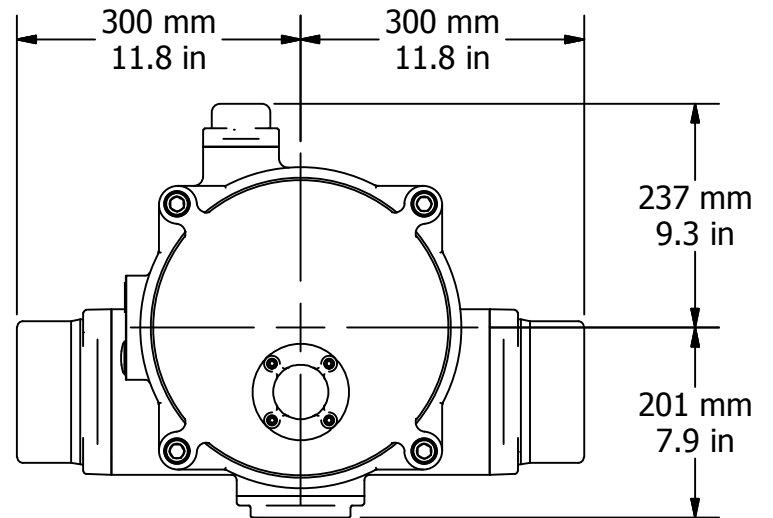
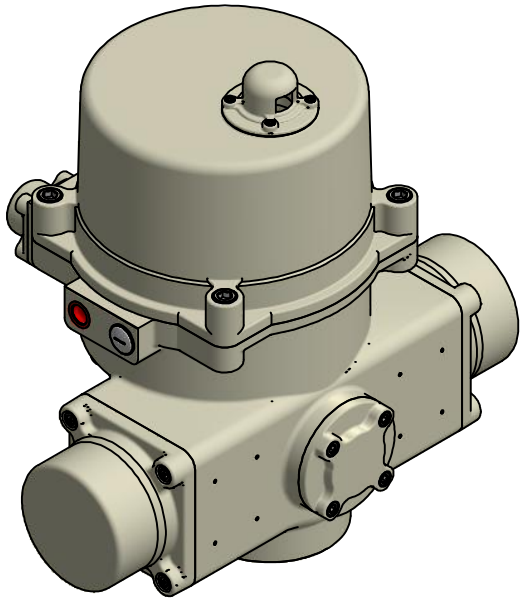
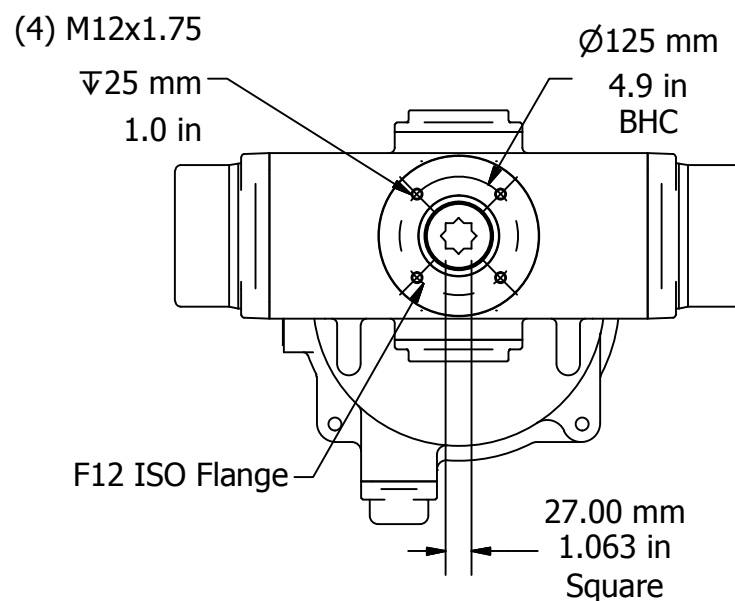
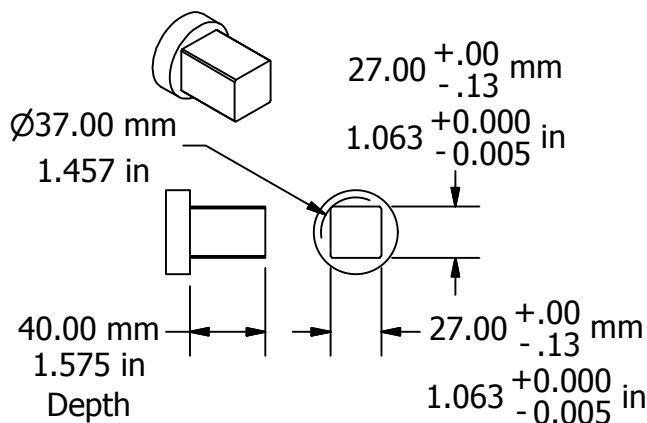


Engineering Change Notice

REV	Change Date	Description	Name
A			
B	07.09.2013	Transferred file into Inventor format	KHL
C	04.14.2014	Corrected depth of drive coupling to 40mm	KHL
D	10.07.2014	Pushed square dimension to three decimal places	KHL
E	04.08.2015	Added Isometric view of Drive Coupling and "Depth" tag for clarity	KHL
F			



Drive Coupling Fabrication Data



Drawn By KHL	Created: 7/9/2013
Checked By KHL	Last Checked: 4/8/2015
Material	Finish
Dimensional Tolerances (Unless Otherwise Noted): X ± 2.5mm [X.X ± .1] X.X ± .3mm [X.XX ± .01"] X.XX ± .13mm [X.XXX ± .005"] ALL TOLERANCE FEATURES IN mm	

Part No.	This Document is the property of ProMation Engineering, Inc. Distribution of this document without the written consent of the owner is Strictly forbidden. Failure to comply will incur a liability for Damages.
Promation Engineering Inc. 16138 Flight Path Drive Brooksville, FL 34604	
Phone: 352-544-8436 Fax: 352-544-8439	

ProMation Engineering, Inc.	
Dwg. Name	PCD_CW F12 8P27 DimData.idw
PC~PD-CW Dim Data	Rev. E
Dimensional Data for PC~PD-CW Spring Return Actuators	
NO SCALE	Sheet Number: 1