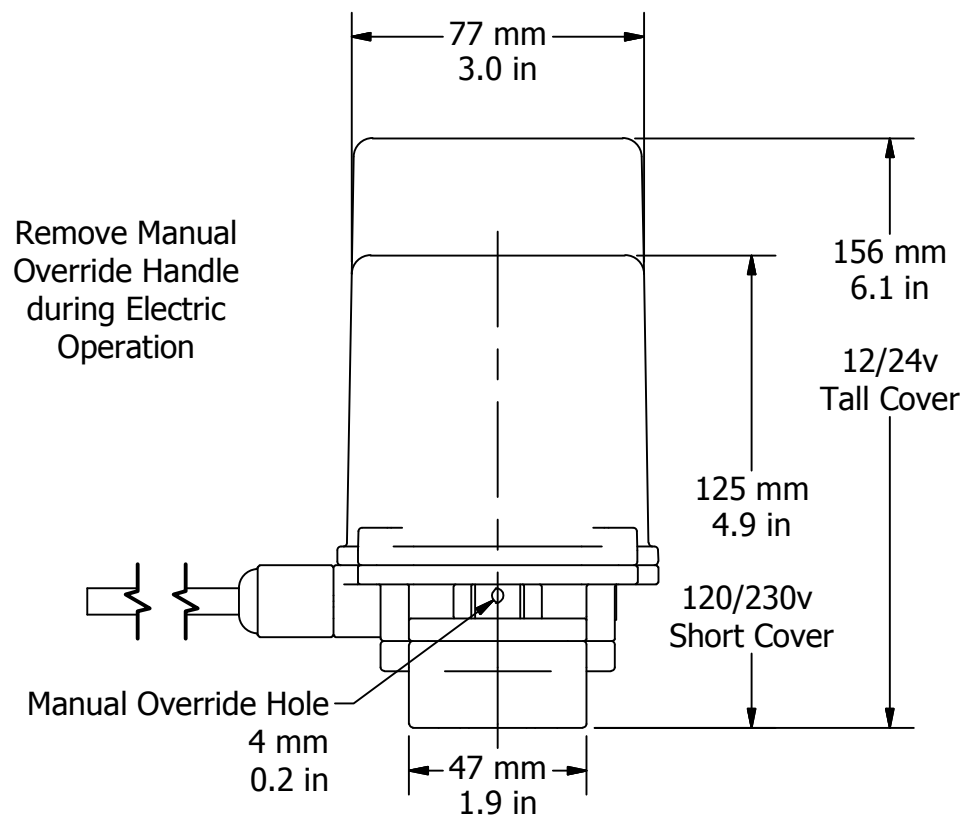
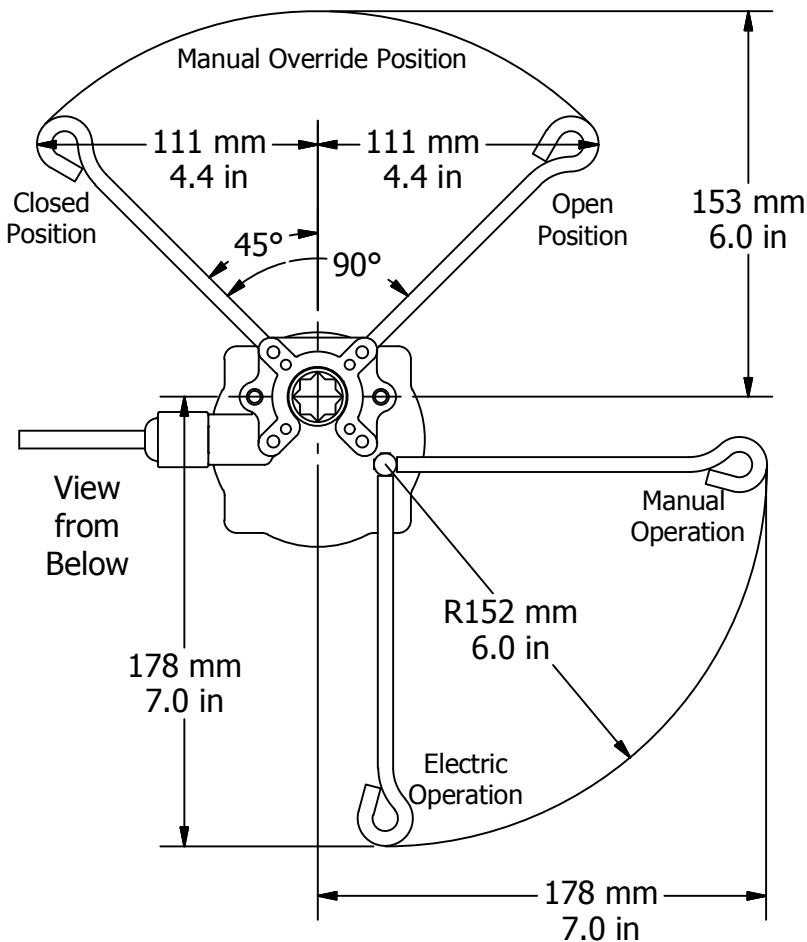
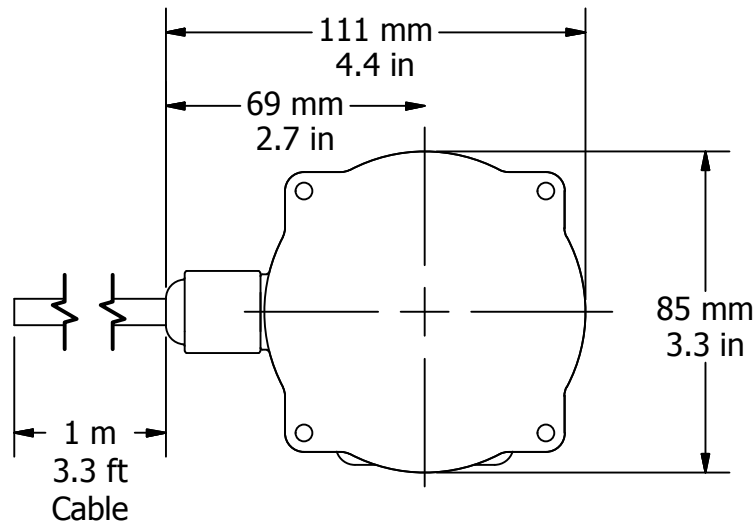
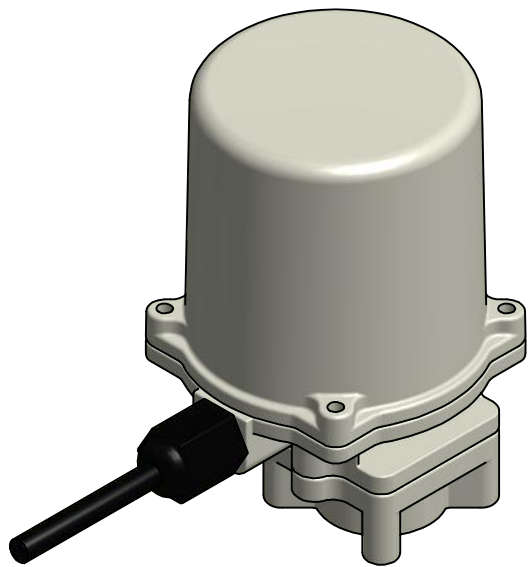
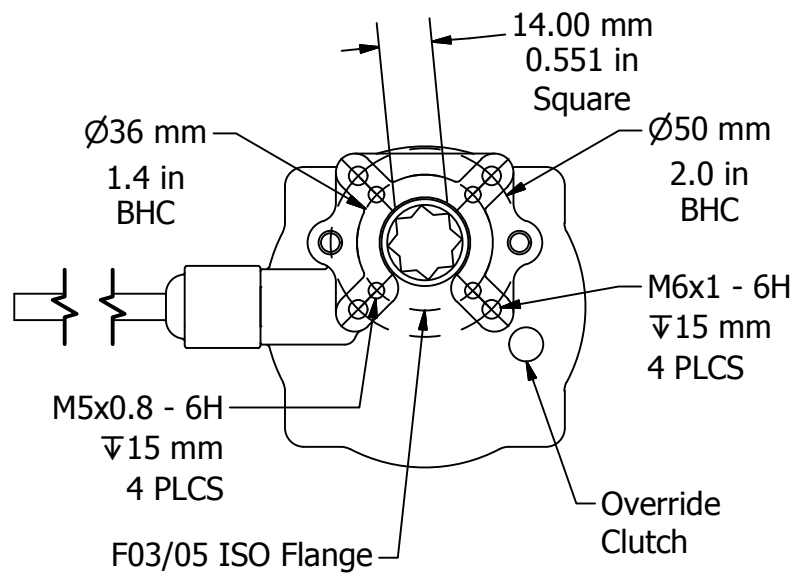
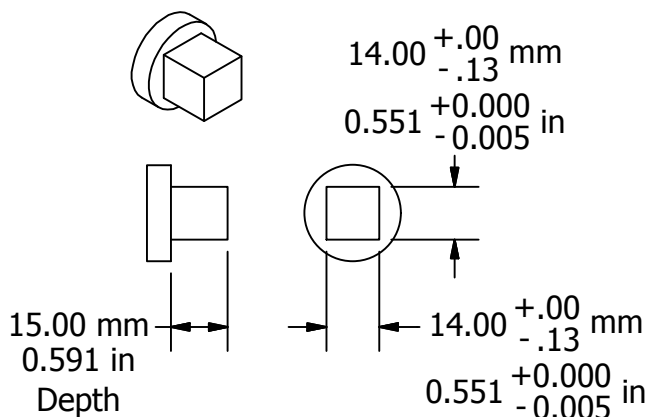


Engineering Change Notice			
REV	Change Date	Description	Name
A			
B			
C	08.30.2014	Transferred document into Inventor file	KHL
D	10.07.2014	Pushed square dimension to three decimal places	KHL
E	04.08.2015	Added Isometric view of Drive Coupling and "Depth" tag for clarity	KHL
F			



Drive Coupling Fabrication Data



Drawn By KHL	Created: 8/30/2014	Part No.	<b>ProMation Engineering, Inc.</b>	
Checked By KHL	Last Checked: 4/8/2015	This Document is the property of ProMation Engineering, Inc. Distribution of this document without the written consent of the owner is Strictly forbidden. Failure to comply will incur a liability for Damages.		
Material	Finish		Promation Engineering Inc. 16138 Flight Path Drive Brooksville, FL 34604 Phone: 352-544-8436 Fax: 352-544-8439	Rev. E
Dimensional Tolerances (Unless Otherwise Noted): X ± 2.5mm [X.X ± .1] X.X ± .3mm [X.XX ± .01"] X.XX ± .13mm [X.XXX ± .005"] ALL TOLERANCE FEATURES IN mm				Dimensional Data for PZ Actuators
			NO SCALE	Sheet Number: 1