



**PROMATION
ENGINEERING**

Precision Actuation for Industry

**Explosion Proof P2~8 Series
24vac, 24vdc, 120v, 230v**



Hazardous Location Electric Actuator

- 800–13,250 in lbs torque
- Dual Acting Quarter Turn
- On/Off or Proportional Control
- Clutchless Manual Handwheel
- Self-Locking Gear Train
- Raised Indicator



Enclosures Certified to:
Class I, Division 1, Groups C, D.
Class II, Division 1, Groups E, F, G.
Class III; T6 (85°C)

**Ex d IIB Gb T6; Ex tb IIIC T85°C Db
Class I, Zone 1, AEx d IIB Gb T6
Zone 21, AEx tb IIIC T85°C Db**



**EXPLOSION
PROOF**



C 238703 US

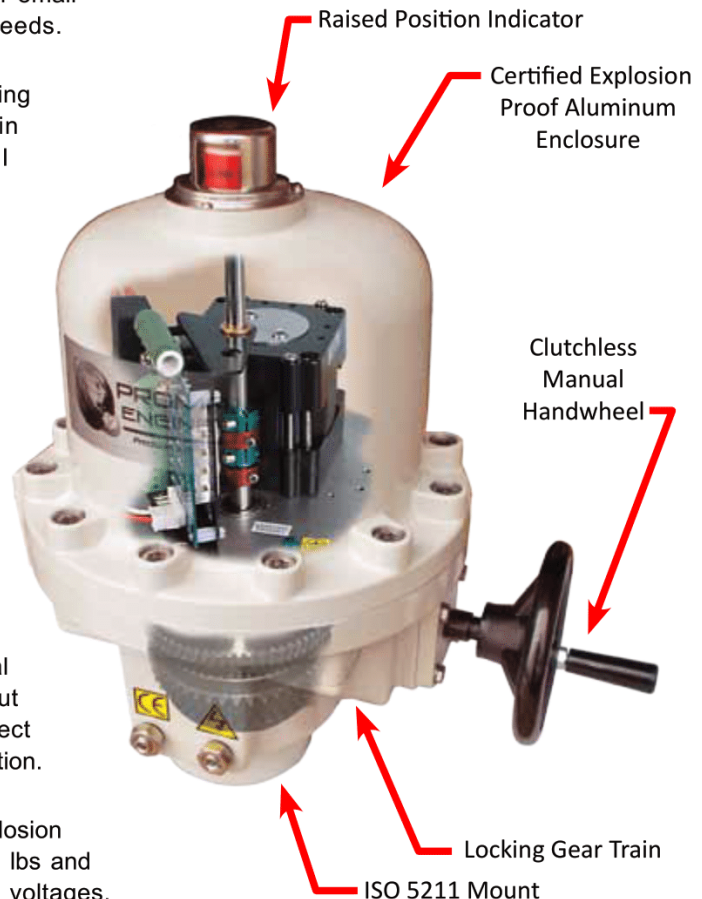
Quarter Turn Explosion Proof Actuators

Hazardous Applications - Rugged and reliable, ProMation Engineering actuators are designed for use in Oil and Gas, Mining, Food Processing, Chemicals and Power applications controlling butterfly valves, ball valves, high performance valves, plug valves, gate valves and dampers. Call or email to have our actuator experts help you with your needs.

Explosion Proof - The ProMation Engineering explosion proof actuators are designed for use in hazardous locations. They meet the latest Class I and Class II Division 1 standards per UL 1203. The explosion proof actuators share the same electronic and mechanical components as the ProMation Standard Location products and give you the same reliability and performance that you've come to expect from our Standard Location quarter turn actuators.

Features - The ProMation explosion proof actuators feature the only hazardous duty electric actuator that comes with a standard raised indicator allowing easy identification of actuator position. Other standard items include an anti-condensation heater, two auxiliary switches, ISO 5211 mounting, permanently lubricated locking gear train, and a clutchless manual handwheel. In addition to on/off control, the explosion proof actuators can have proportional control with 4–20 mA, 0–10, 2–10, and 1–5vdc input and feedback. Also available: torque switch to protect motors and valves, auxiliary switches, and 0–220 rotation.

Torque Range and Voltages - The explosion proof actuators range in torque from 800 to 13,250 in lbs and are available in 24vac, 24vdc, 120vac, and 230vac voltages. The output gearing and mounting patterns are the same as our standard product and therefore fully compatible with valve, damper couplers and linkages that are used for nearly any industrial application.



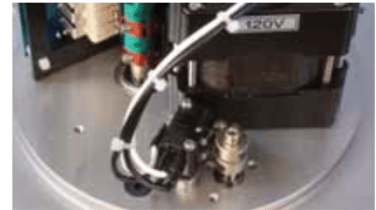
Explosion Proof Actuator Specifications

Product Family	Torque Output		Actuator Run Time (seconds)	Mounting Information		Shipping Weight (lbs / kg)		
	in lbs	Nm		ISO 5211	Output Drive (mm)			
P2	800	90	1.0	17	15	F07	22	40 / 18
P3	1,335	150	1.2	26	22	F07	22	40 / 18
P4	3,500	400	1.9	18	16	F10	35	58 / 26
P5	4,400	500	2.0	25	22	F10	35	58 / 26
P6	5,750	650	2.1	31	28	F10	35	58 / 26
P7	8,900	1,000	3.1	55	46	F14	36	93 / 42
P8	13,250	1,500	3.3	55	46	F14	36	93 / 42

Current Draw (amps) given for 120VAC actuators @ 60Hz. Output Drives are 8 point female double-square. Drive Inserts are available for nearly any application.

Available Options (Factory Installed)

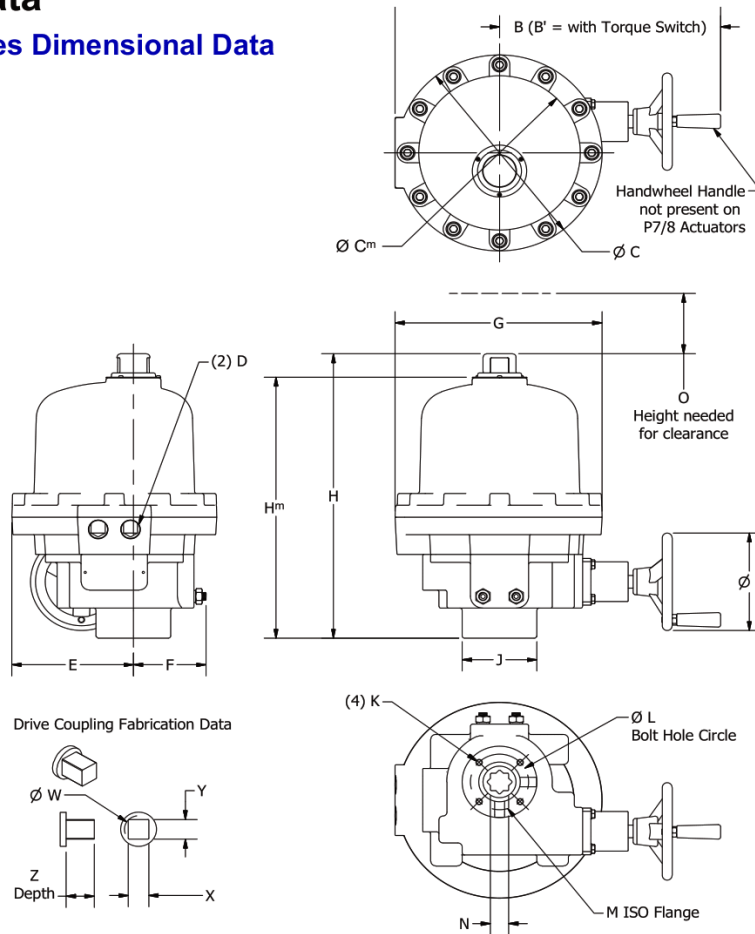
- Proportional Control - 4-20mA, 0-10VDC, 2-10VDC, 1-5VDC input
- Mechanical Torque Switch Assembly.
- Rotation modifications for up to 220 degree rotation.
- Auxiliary Switch Set. Provides two additional auxiliary switches, for a total of four.
- Local Control Stations and Power Backup Units are available if located outside hazardous area and wired to code.



Torque Switch Option

Mechanical Data

P2~8-EX Series Dimensional Data



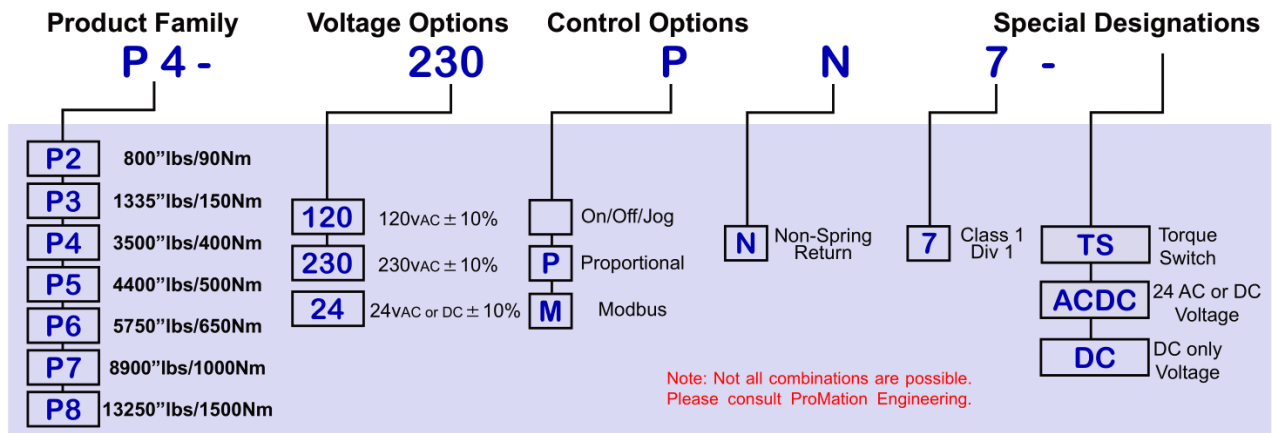
SD17_P28_HV N7 w PX 24P DC Ver P_10.15.19

Dimensional Data P2-8 N7 Series Actuators

inches (mm)

	A	A ^{ts}	B	B ^{ts}	C	D	E	F	G	H	I
P2~P3	14.0 (355)	15.5 (392)	9.0 (229)	10.5 (267)	9.7 (247)	3/4" NPT	5.8 (146)	3.4 (88)	9.8 (249)	14.1 (359)	4.8 (123)
P4~P6	16.7 (423)	19.2 (488)	10.8 (275)	13.4 (340)	11.2 (285)	3/4" NPT	7.3 (184)	5.0 (126)	11.5 (291)	15.3 (389)	7.6 (194)
P7~P8	14.9 (377)	18.4 (468)	9.0 (226)	12.6 (320)	11.2 (285)	3/4" NPT	9.3 (236)	5.0 (126)	11.5 (291)	18.8 (478)	11.6 (295)
	J	K	L	M	N	O	W	X	Y	Z	
P2~3	3.5 (90)	M8-1.25 x 0.8" D	2.8 (70)	F07	0.866 (22)	8 (203)	1.18 (30.0)	.866 (22.0)	.866 (22.0)	1.18 (30.0)	
P4~6	4.9 (125)	M10-1.5 x 0.8" D	4.0 (102)	F10	1.378 (35)	8 (203)	1.89 (48.0)	1.378 (35.0)	1.378 (35.0)	1.58 (40.0)	
P7~8	7.1 (180)	M16-2.0 x 1.18" D	5.5 (140)	F14	1.417 (36)	8 (203)	1.93 (49.0)	1.417 (36.0)	1.417 (36.0)	1.77 (45.0)	

EX Series Actuators



ProMation Standard Location Product Line



**PL Series
Linear Drive**

Up to 4400lbs down/up force with 30mm (1.18") stem travel

For globe valves and linear travel devices. With override handwheel. Available with On/Off/Jog or Proportional control for 24vac, 24vdc, 120vac & 230vac supplies.



**P Series
Non-Spring Return**

55"lbs through 40,000"lbs. Quarter-Turn, with Manual Override

Available with On/Off/Jog or Proportional control. For 12vac/dc, 24vac/dc, 120vac, 230vac, 230v/3 phase, 380v/3 phase & 460v/3phase supplies.



**PA~PD Series
Spring Return**

445"lbs through 2300"lbs. Quarter-Turn, both with and w/o manual override handwheel.

Spring either CW or CCW. Available with On/Off control for 24vac/dc and On/Off or Proportional control for 120vac & 230vac supplies. Stepdown for 3phase available.



**PBU Battery
Back-Up Systems**

Provides power sufficient to drive P Series actuators

to field-selectable fail-safe positions. For P Series & PL Series actuators in On/Off and Proportional control modes. Available for 24/120/230vac actuators. 120vac/230 vac supply.



**PROMATION
ENGINEERING**

Precision Actuation for Industry

16138 Flight Path Drive
Brooksville, FL 34604

Phone (352) 544-8436 Fax (352) 544-8439
email: sales@promatonei.com

ProMation Engineering follows a policy of continual product updates and enhancements. Our website is the best place to obtain the latest product documentation. Visit us at www.promatonei.com or use the QR code below to link to the site.



Use your smart phone barcode scanner app here.