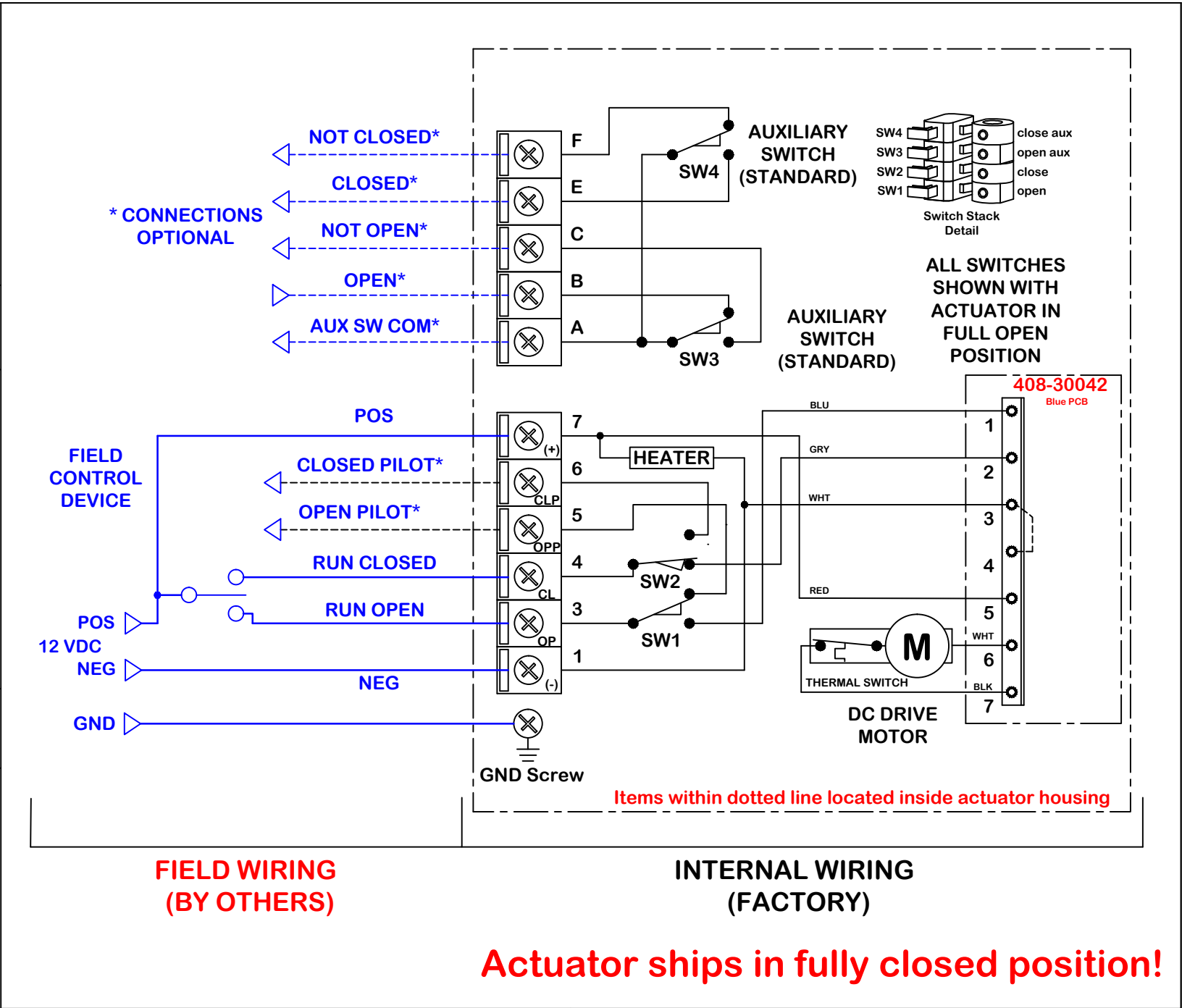


h	name	WD-850-11101
g	rev change date	02.02.16
f	revision	DC replaces WD 11101E
e	revision	Forming changes
d	revision	
c	revision	
b	revision	
a	revision	

h	name	WD-850-11101
g	rev change date	02.02.16
f	revision	DC replaces WD 11101E
e	revision	Forming changes
d	revision	
c	revision	
b	revision	
a	revision	

h	name	WD-850-11101
g	rev change date	02.02.16
f	revision	DC replaces WD 11101E
e	revision	Forming changes
d	revision	
c	revision	
b	revision	
a	revision	

ProMation Engineering, Inc.
16138 Flight Path Drive
Brooksville, FL 34604
Ph:352-544-8436 Fx(352-544-8439)



P1-12N4+DC (POS switched)

This document is the property of ProMation Engineering, Inc. Distribution of this document without the written consent of the owner is strictly forbidden. Failure to comply will incur a liability for damages.