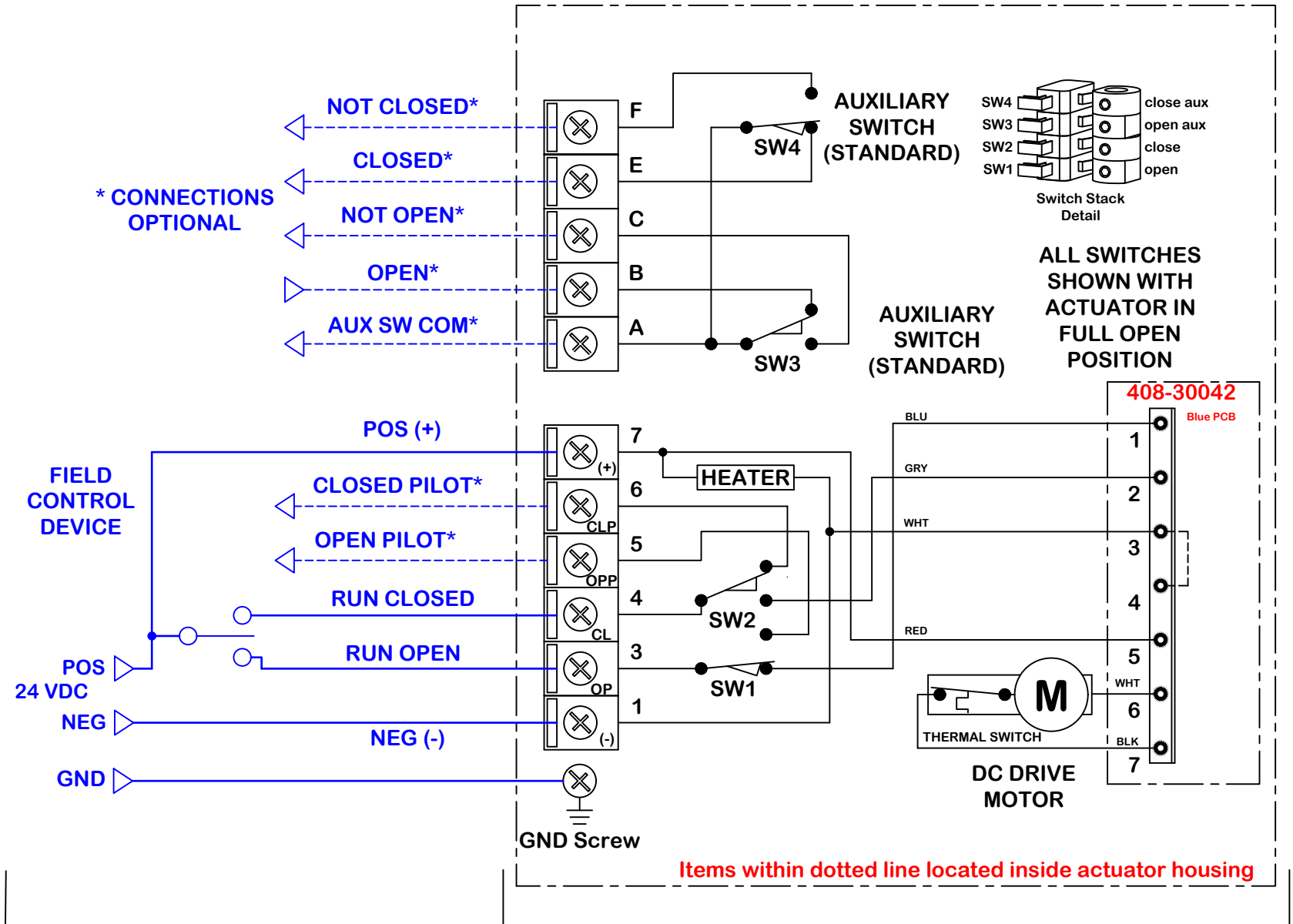


rev	change	date	revision	name	scale	Date	dwn by:	material no	ind	Wiring Diagram
m	.									
l										
k										
j										
i										
h		02.10.16								
g		12.16.15	Edited wire colors added 'this job'	TJM						
f		12.11.13	Edited board p/r	KHL						
rev change	date	revision	name	scale	Date	dwn by:	material no	ind	Wiring Diagram	
ProMation										
On/Off wiring diagram for 24vdc P1, P1.B, P1.C Series using POSITIVE SWITCH										
WD-850-12103 1.dwg										
WD-850-12103 I										
ProMation Engineering, Inc. 16138 Flight Path Drive Brooksville, FL 34604 Ph:352-544-8436 Fx(352-544-8439)										



Actuator ships in fully closed position!

P1 (.B)(.C)-24N4+DC (POS switching)

This document is the property of ProMation Engineering, Inc. Distribution of this document without the written consent of the owner is strictly forbidden. Failure to comply will incur a liability for damages.