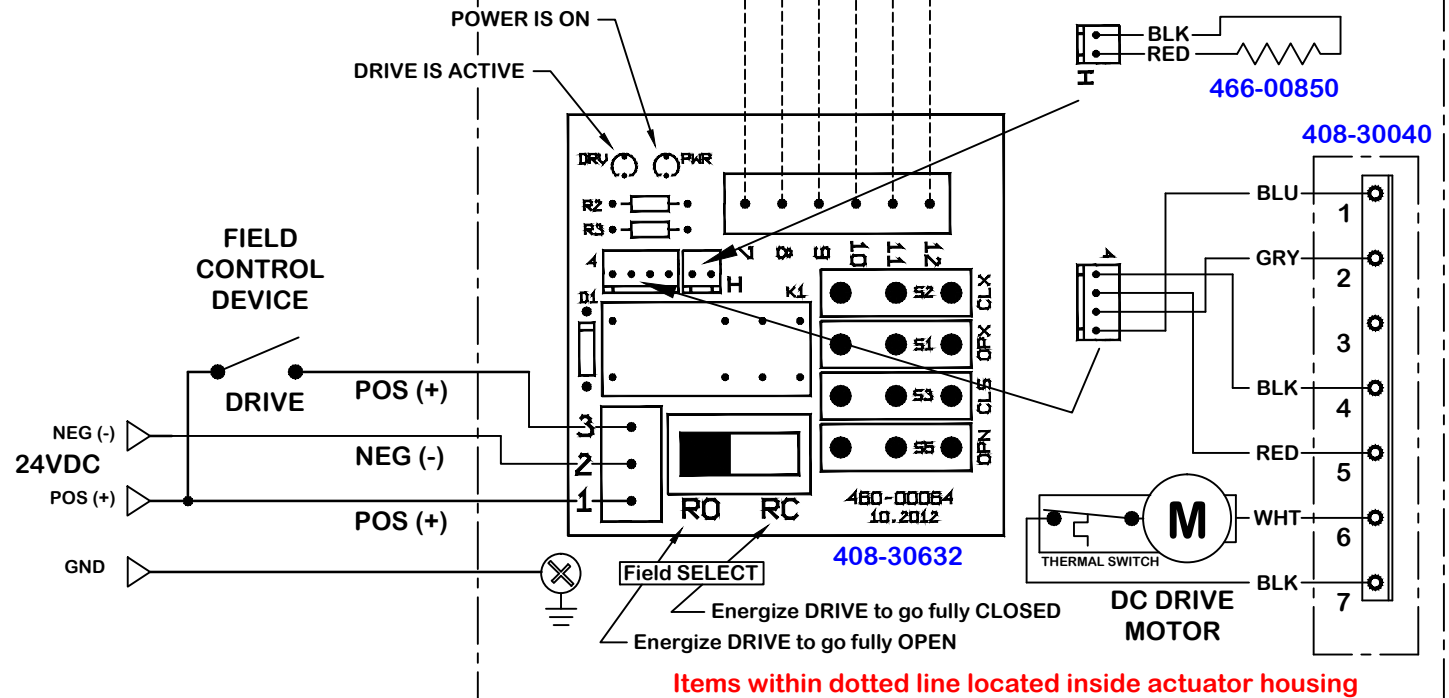
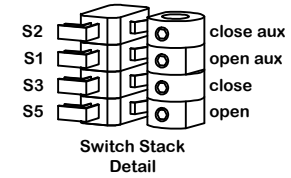


h	noming	dwg by:	Date	material no	ind	Wiring Diagram
g		BJW	11.29.2012			
f						
e						
d						
c	03/04/2014	Edited connections to SV board		KHL		
b	01.11.13	Edited "User For" Title		KHL		
d	12.04.12	New Document for New Board		KHL		
rev change date	revision	name	scale			
			NONE			
		Promation		Single wire control (RO or RC) wiring		
		3/4/2014 3:48:12 PM		24vdc P1 Series using POSITIVE SWITCHING.		
		WD-850-12510.dwg		WD-850-12510		
		REV		C		

- * CONNECTIONS OPTIONAL
- ▷ NOT OPEN*
 - ▷ AUX SW COM*
 - ▷ OPEN*
 - ▷ NOT CLOSED*
 - ▷ AUX SW COM*
 - ▷ CLOSED*



**Actuator ships in fully closed position!
Default SELECT is RO**