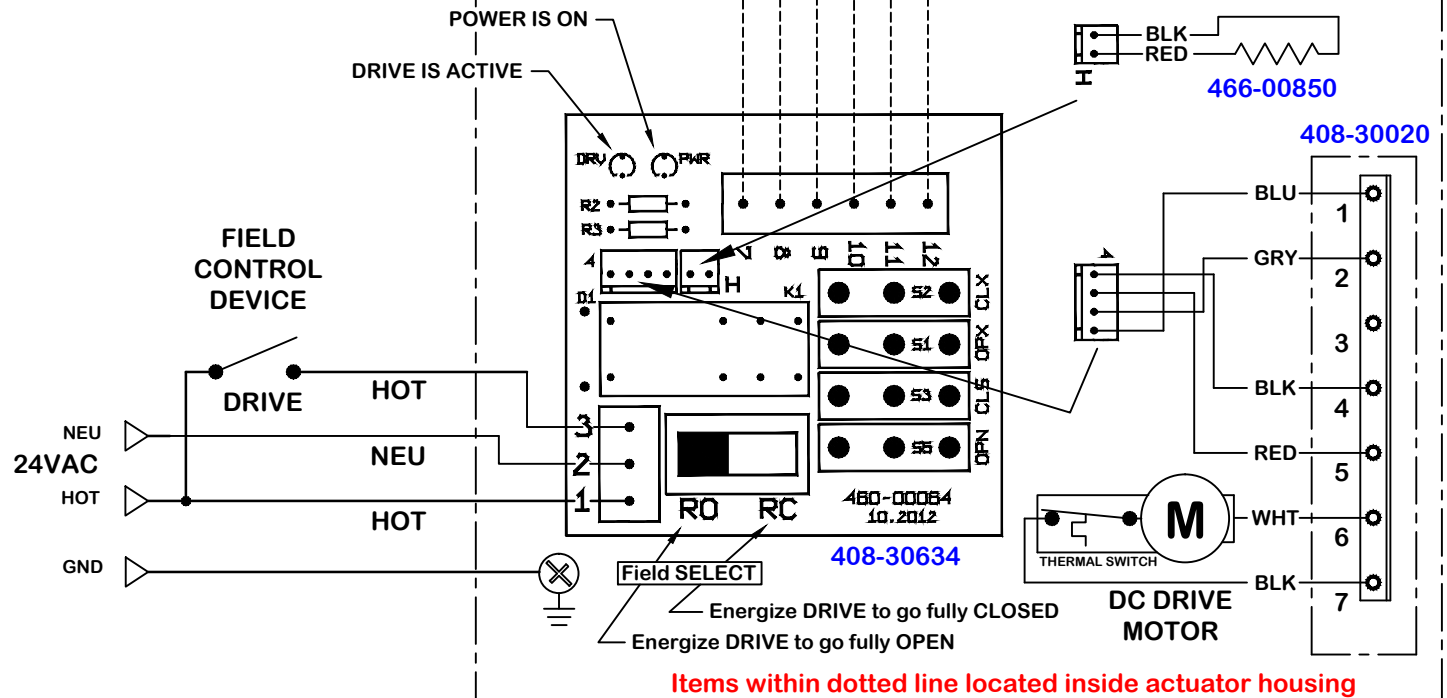
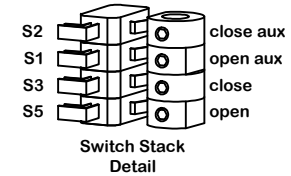


rev	change date	revision	name	3/4/2014 3:49:03 PM	WD-850-13510.dwg
h	.		noming		
g			dwn by:	Date	
f			BJW	11.29.2012	
e			scale	NONE	
d					
c	03/04/2014				
b	12/04/12	Edited connections to ST board New Document for New Board			
d					
material no	ind		Wiring Diagram		
material		WD-850-13510			
REV		<b>B</b>			
ProMation Engineering, Inc. 16138 Flight Path Drive Brooksville, FL 34604 Ph:352-544-8436 Fx(352-544-8439		Single wire control (RO or RC) wiring 24vac P1 Series.			

- \* CONNECTIONS OPTIONAL
- ▷ NOT OPEN\*
  - ▷ AUX SW COM\*
  - ▷ OPEN\*
  - ▷ NOT CLOSED\*
  - ▷ AUX SW COM\*
  - ▷ CLOSED\*



**FIELD WIRING  
(BY OTHERS)**

**INTERNAL WIRING  
(FACTORY)**

**Actuator ships in fully closed position!  
Default SELECT is RO**

**P1-24N4-AC (RO or RC)**

This document is the property of ProMation Engineering, Inc.  
Distribution of this document without the written consent of the owner is strictly forbidden.  
Failure to comply will incur a liability for damages.