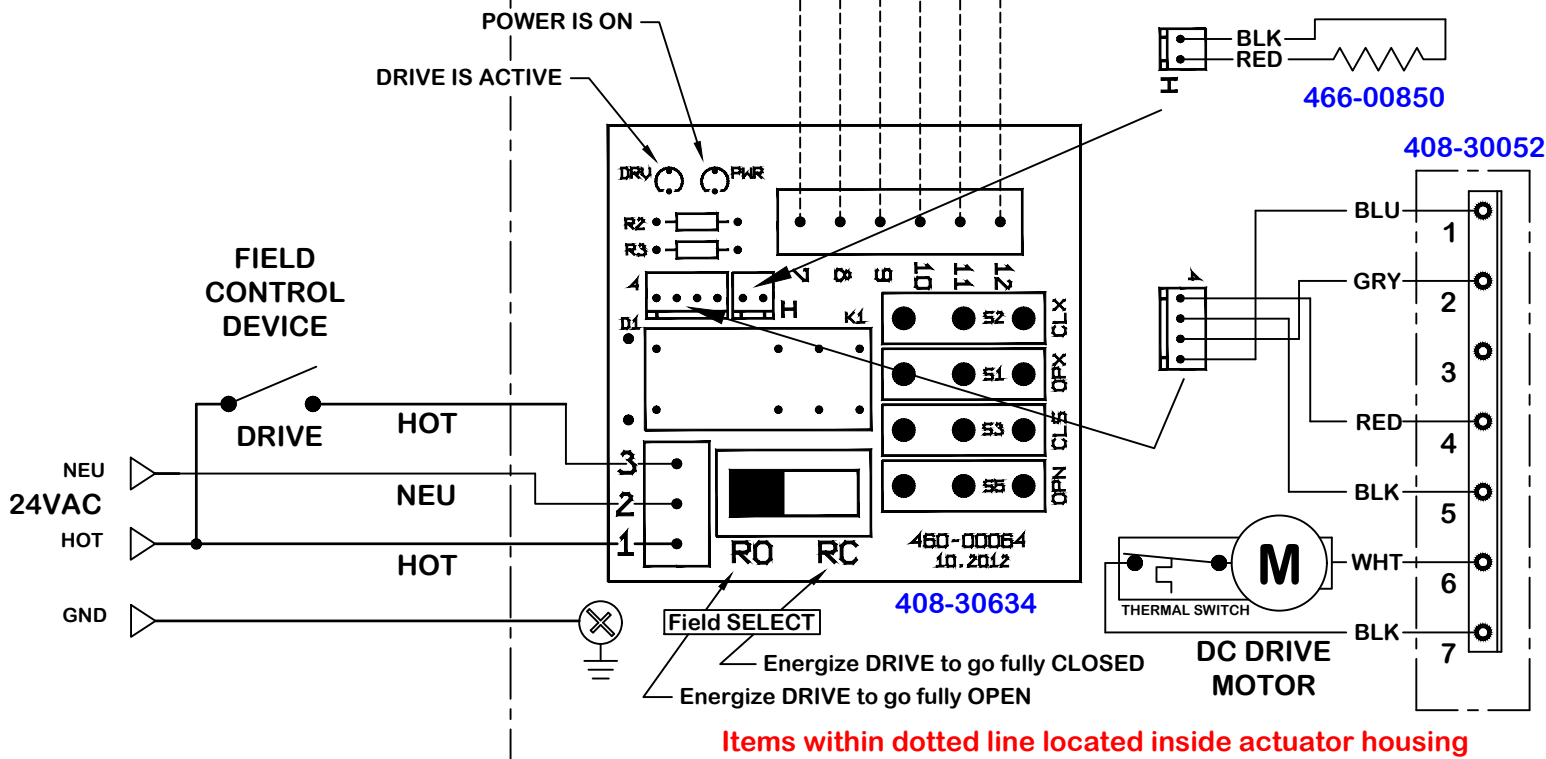
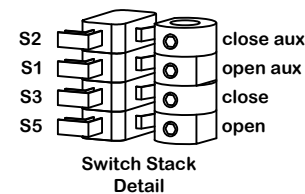


h	name	naming	
g	revision	Converted 13510 to + Switching	
f	rev change date	02/27/19	
e	name	DUG	
d	revision	Converted 13510 to + Switching	
c	rev change date	02/27/19	
b	name	DUG	
a	revision	Converted 13510 to + Switching	
h	name	naming	
g	revision	Converted 13510 to + Switching	
f	rev change date	02/27/19	
e	name	DUG	
d	revision	Converted 13510 to + Switching	
c	rev change date	02/27/19	
b	name	DUG	
a	revision	Converted 13510 to + Switching	
ProMation Single wire control (RO or RC) wiring 24vac P1 Positive Switch DC drive Series. WD-850-13512.dwg 2/27/2019 10:11:00 AM dwn by: BJW Date: 11.29.2012 scale: NONE material no: ind material:			
WD-850-13512			
Wiring Diagram			
A			

- * CONNECTIONS OPTIONAL**
- ▷ NOT OPEN*
 - ▷ AUX SW COM*
 - ▷ OPEN*
 - ▷ NOT CLOSED*
 - ▷ AUX SW COM*
 - ▷ CLOSED*



**FIELD WIRING
(BY OTHERS)**

**INTERNAL WIRING
(FACTORY)**

**Actuator ships in fully closed position!
Default SELECT is RO**

P1-24N4-AC (RO or RC) + sw motor

This document is the property of ProMation Engineering, Inc. Distribution of this document without the written consent of the owner is strictly forbidden. Failure to comply will incur a liability for damages.