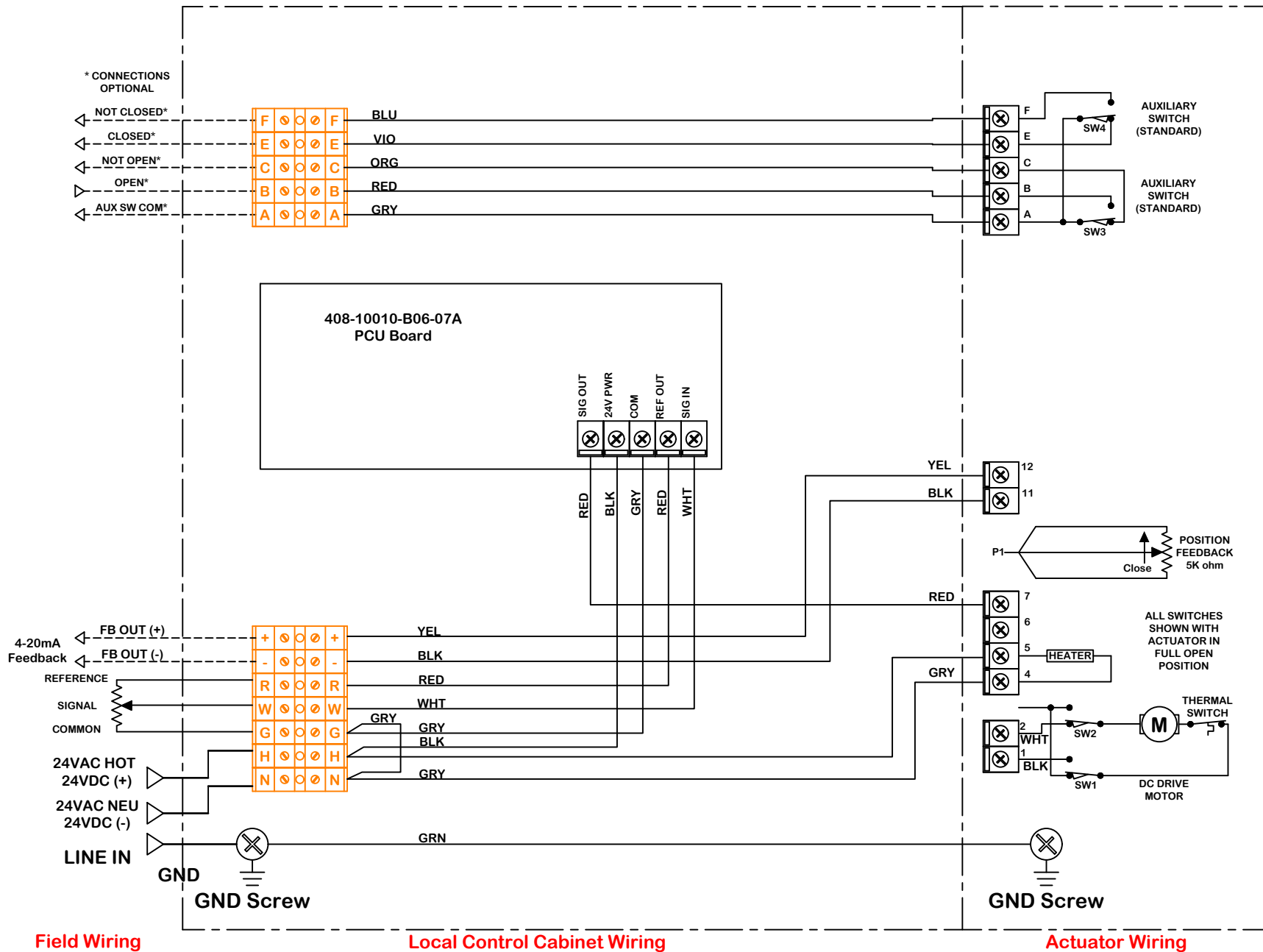


Actuator ships in fully closed position!



Field Wiring

Local Control Cabinet Wiring

Actuator Wiring

Use For:

P1-24PN4-ACDC-I135

This document is the property of ProMation Engineering, Inc. Distribution of this document without the written consent of the owner is strictly forbidden. Failure to comply will incur a liability for damages.

| | | | | | |
|--|--|--|---|--|-------------------|
| rev change date C 03/27/2012 D 08/29/2012 E 03/12/2014 F 001/30/2020 G H I J | revision KHL KHL KHL KHL KHL KHL KHL KHL KHL KHL | name KHL KHL KHL KHL KHL KHL KHL KHL KHL KHL | dwn by: BJW Date 3.16.2011 | material no ind material Wiring Diagram | scale NONE |
| <h1 style="font-size: 3em; margin: 0;">WD-850-13J01 F</h1> | | | <p>Wiring Diagram for Proportional Control. P1 Series 24VACDC Actuators. 0-135 ohm Proportional Control</p> | | |
| <p>1/30/2020 3:16 PM</p> | | | <h1 style="font-size: 3em; margin: 0;">F</h1> | | |