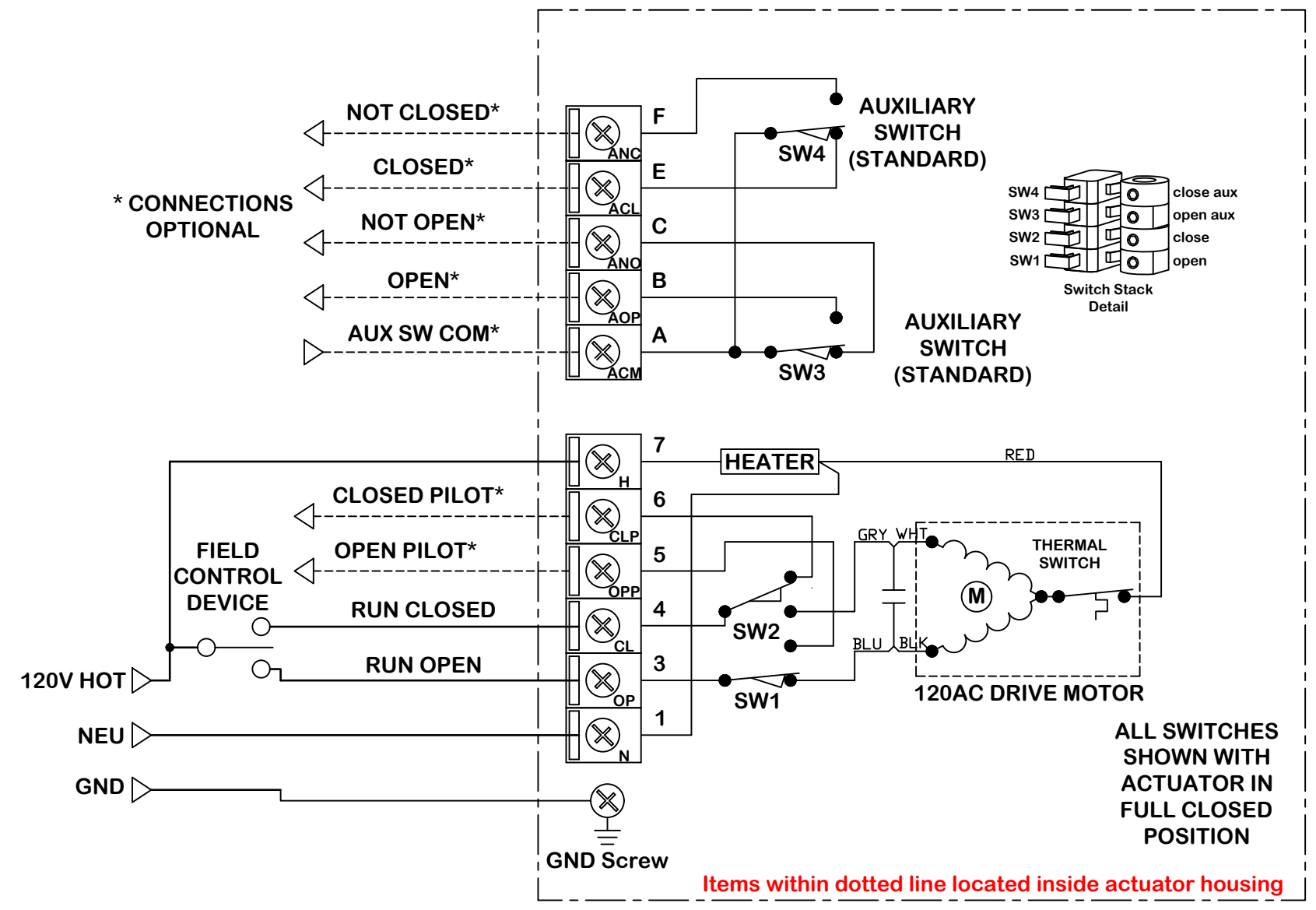


name		naming			
revision		revision			
change date		change date			
d	02.23.17	Updated wire colors	KL		
c	01.02.20	Add Ex. to titles	DG		
b					
a					
material no		material			
ind		material			
Wiring Diagram		Wiring Diagram			
scale		scale			
NONE		NONE			
Date		Date			
7.2.2011		7.2.2011			
dwn by:		dwn by:			
BJW		BJW			
name		name			
KL		KL			
Plotted:1/2/2020 2:04:24 PM		Plotted:1/2/2020 2:04:24 PM			
REV		REV			
F		F			
Wiring Diagram for 2 position or Jog Control. P1 Series 120vac Actuators.		Wiring Diagram for 2 position or Jog Control. P1 Series 120vac Actuators.			
WD-850-14101F.dwg		WD-850-14101F.dwg			
WD-850-14101F		WD-850-14101F			
ProMation		ProMation			



Actuator ships in fully closed position!

Use For:

P(X)1-120N4(7) and P1.B-120N4

This document is the property of ProMation Engineering, Inc. Distribution of this document without the written consent of the owner is strictly forbidden. Failure to comply will incur a liability for damages.