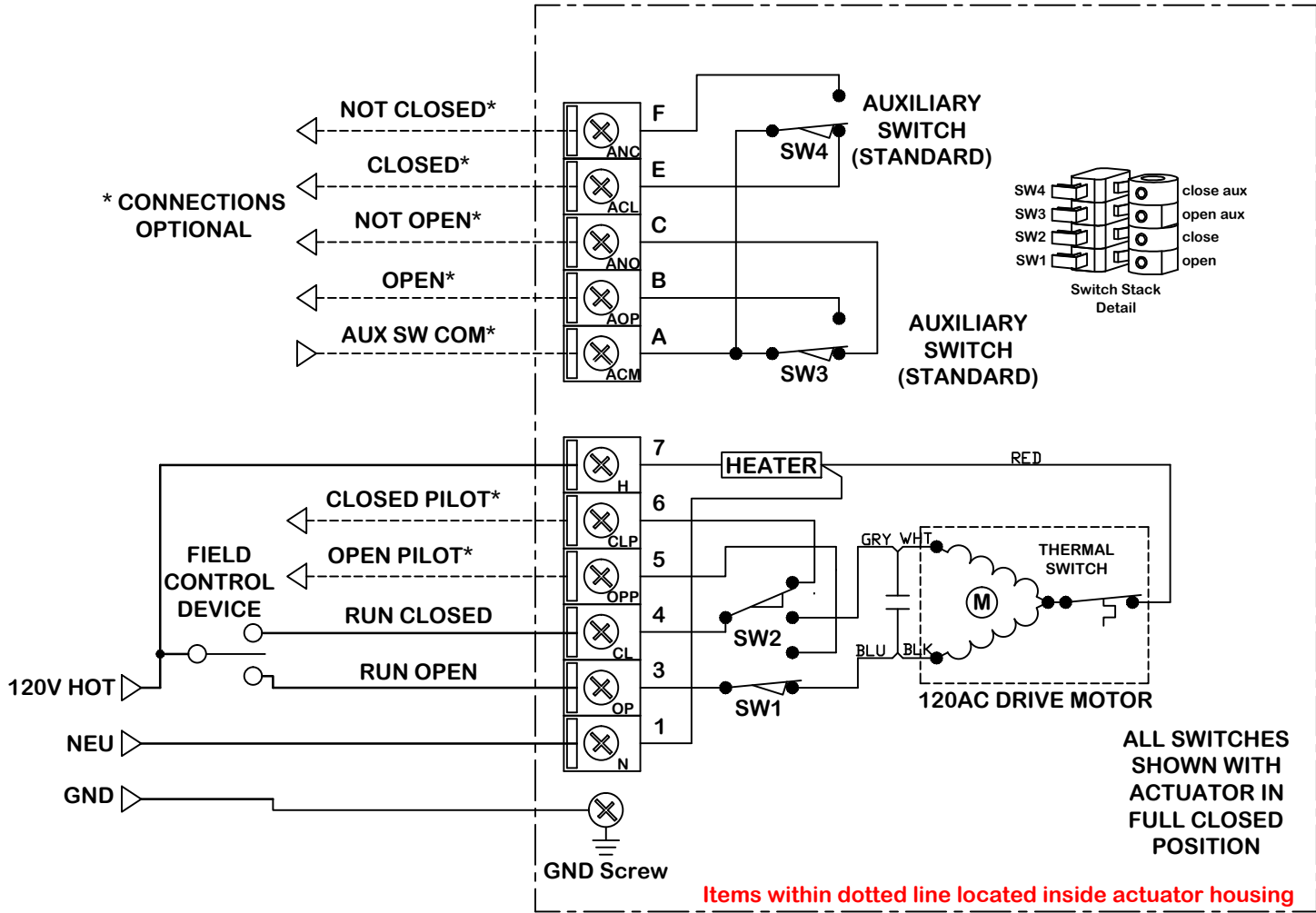


|     |            |          |                  |  |                      |          |
|-----|------------|----------|------------------|--|----------------------|----------|
| h   | naming     |          | material no      |  | Wiring Diagram       |          |
| g   | dwn by:    | Date     | ind              |  | material             |          |
| f   | BMW        | 7.2.2011 |                  |  |                      |          |
| e   | scale      | NONE     |                  |  |                      |          |
| d   |            |          |                  |  |                      |          |
| c   |            |          |                  |  |                      |          |
| b   |            |          |                  |  |                      |          |
| a   |            |          |                  |  |                      |          |
| rev | change ddt | revision | name             | Plotted: 5/8/2012 11:34:38 AM  | WD-850-14101E.dwg    | REV      |
|     |            |          | <b>Promotion</b> | Wiring Diagram for 2 position or Jog Control.<br>P1 Series 120vac Actuators. |                      | <b>E</b> |
|     |            |          |                  |  | <b>WD-850-14101E</b> |          |



Use For:

**P1(.B)-120N4**

**Actuator ships in fully closed position!**

ProMation Engineering, Inc.  
16138 Flight Path Drive  
Brooksville, FL 34604  
Ph:352-544-8436 Fx(352-544-8439

This document is the property of ProMation Engineering, Inc.  
Distribution of this document without the written consent of the owner is strictly forbidden.  
Failure to comply will incur a liability for damages.