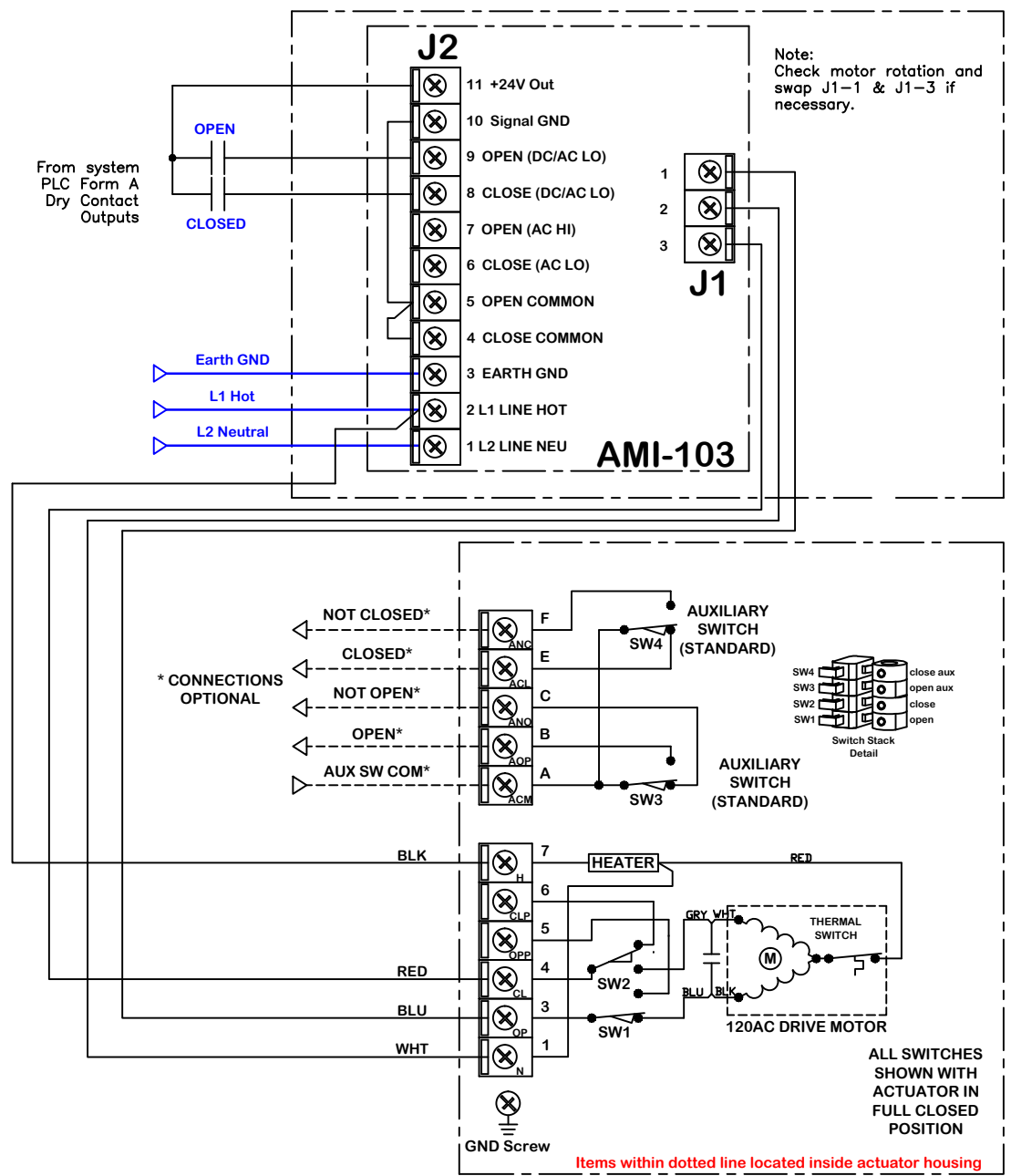


rev	change date	revision	name	7/23/2015 9:24 AM	WD-850-14106.dwg
h		noming			
g			dwn by:	BJW	
f			Date	6:26:2015	
e			scale	NONE	
d					
c					
b	08/22/2012	Added details below title			
a	07/09/2012	Added "Print Date" and "Title" Labels			
name		material no		ind	
KHL		KHL		Wiring Diagram	
Promation		Wiring Diagram for ISOLATED control, 120Vac P1 Series Actuators		WD-850-14106	
ProMation Engineering, Inc. 16138 Flight Path Drive Brooksville, FL 34604 Ph:352-544-8436 Fx(352-544-8439)					



Use For:

P1-120N4-103

Actuator ships in fully closed position!

This document is the property of ProMation Engineering, Inc. Distribution of this document without the written consent of the owner is strictly forbidden. Failure to comply will incur a liability for damages.