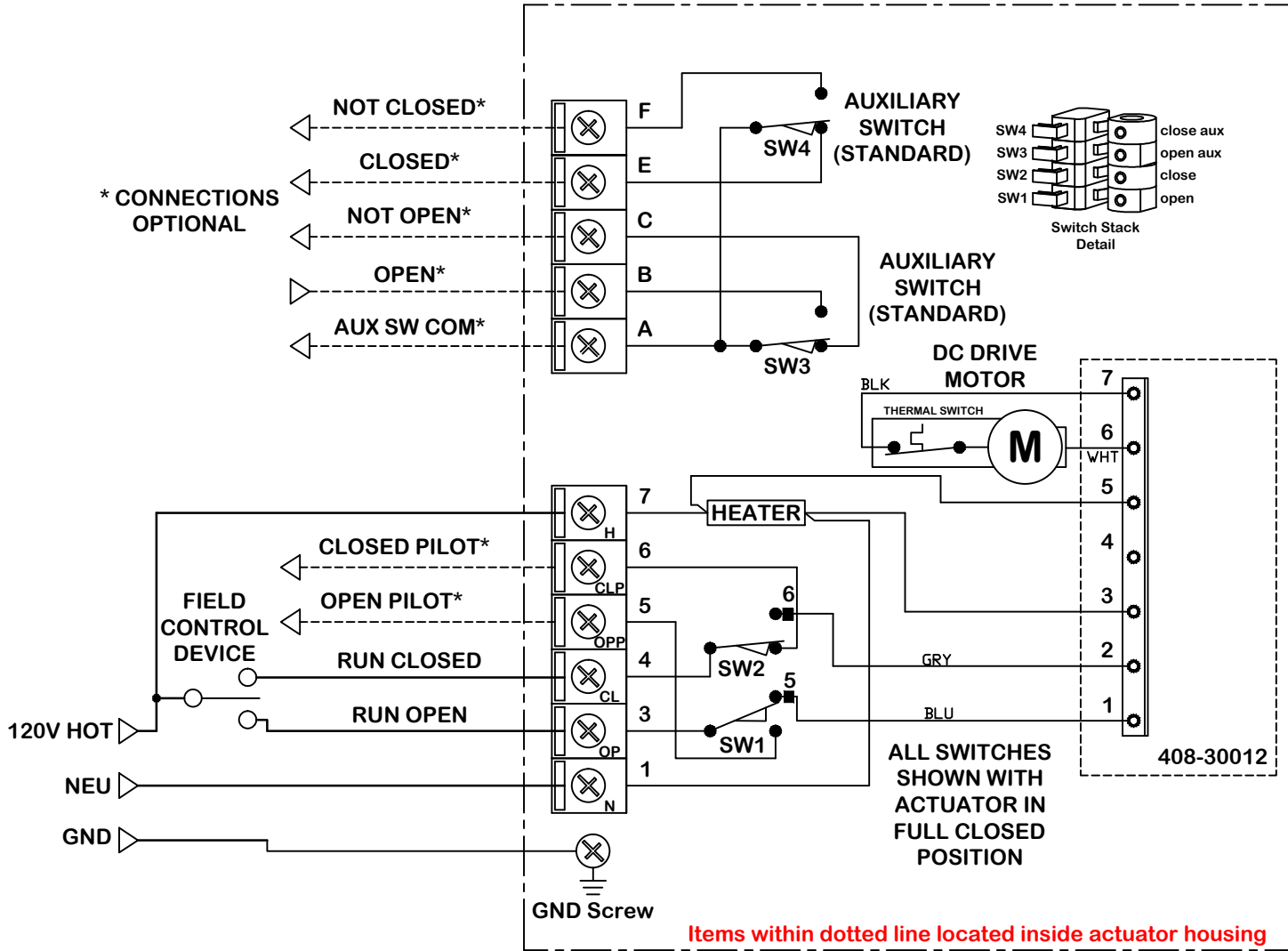


change date		revision		name		Plotted: 5/8/2012 11:32:11 AM		WD-850-14701E.dwg	
h	naming			Date		material no		Wiring Diagram	
g				dwn by: BJW		ind		material	
f				7.2.2011					
e				scale					
d				NONE					
c									
b									
a									
REV		E		Wiring Diagram for 2 position or Jog Control. P1 Series 120vac EXTENDED DUTY Actuators.		WD-850-14701E			



Actuator ships in fully closed position!

Use For:

P1-120N4-ED

ProMation Engineering, Inc.
16138 Flight Path Drive
Brooksville, FL 34604
Ph:352-544-8436 Fx(352-544-8439)

This document is the property of ProMation Engineering, Inc.
Distribution of this document without the written consent of the owner is strictly forbidden.
Failure to comply will incur a liability for damages.