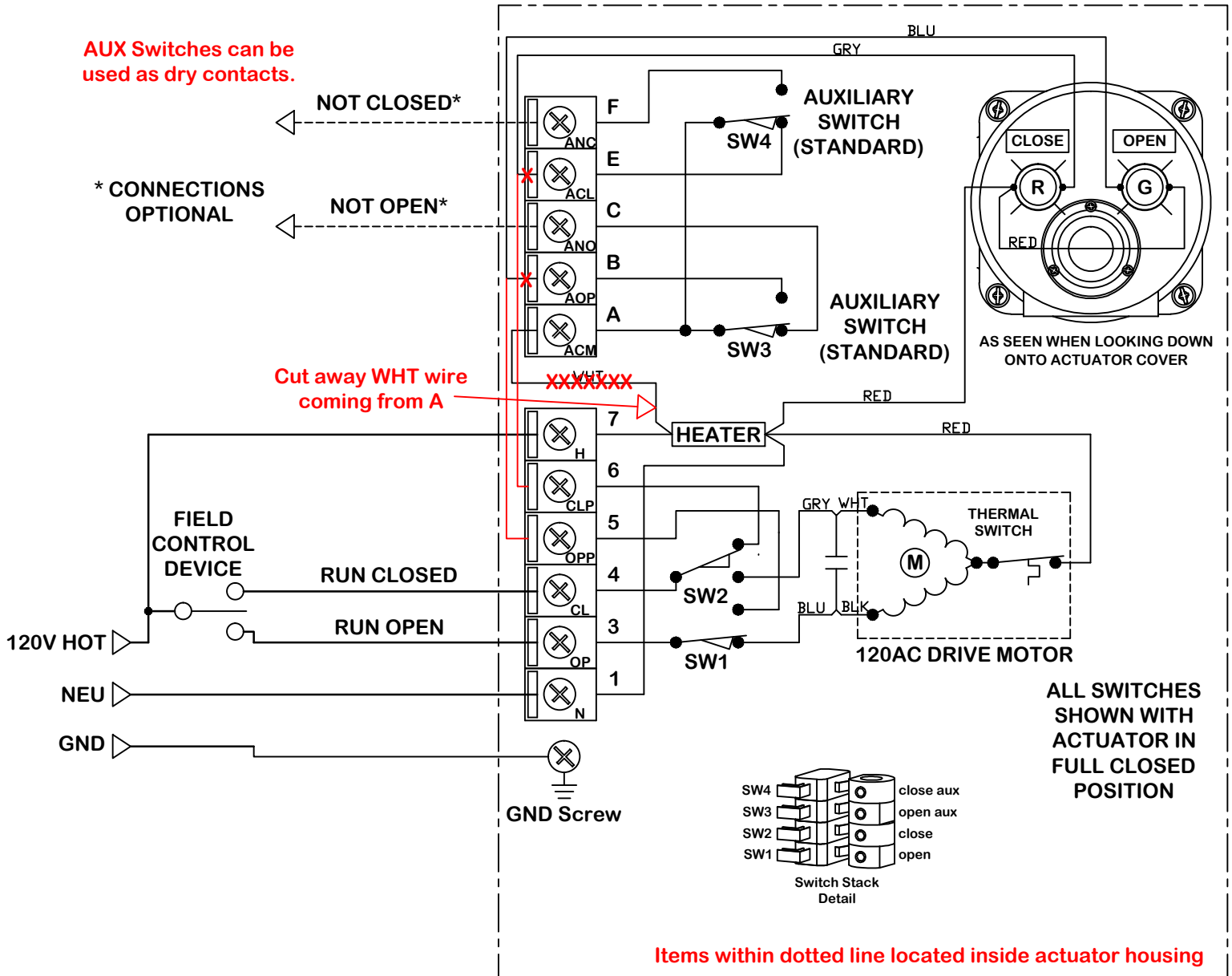


rev	change date	revision	name	Plotted:12/11/2012 9:26:42 AM	WD-850-14913.dwg
h	.		noming		
g			dwn by:	BjW	Date
f				7.2.2011	
e			scale	NONE	
d	12.11.12		material no		
c	10.23.12				
b	10.18.12				
a					
Change to wiring to allow original use of dry AUX switches Added WHT wire color from header EOT indicators assembled onto cover New Document KHL					
<h1 style="margin: 0;">Promation</h1> <h2 style="margin: 0;">WD-850-14913</h2>					
Wiring Diagram for 2 position or Jog Control. P1 Series 120vac Actuators. End Of Travel Indicators on Cover					
<h1 style="margin: 0;">WD-850-14913</h1>					
<h1 style="margin: 0;">C</h1>					



Use For:

# P1(.B)-120N4-EOTI

ProMation Engineering, Inc.  
 16138 Flight Path Drive  
 Brooksville, FL 34604  
 Ph:352-544-8436 Fx(352-544-8439)

This document is the property of ProMation Engineering, Inc.  
 Distribution of this document without the written consent of the owner is strictly forbidden.  
 Failure to comply will incur a liability for damages.