

rev	change date	revision	name	date	scale	material no	ind	material
D	07/19/2012	Added Third dot and Title label	REL	12/10/2012 2:36 PM	NONE			
h								
g								
f								
e								
d								
c								
b								
a								

noming

material no

ind

Wiring Diagram

dwg by: BJW
Date: 2.2.2011

Promation

WD-850-14H01

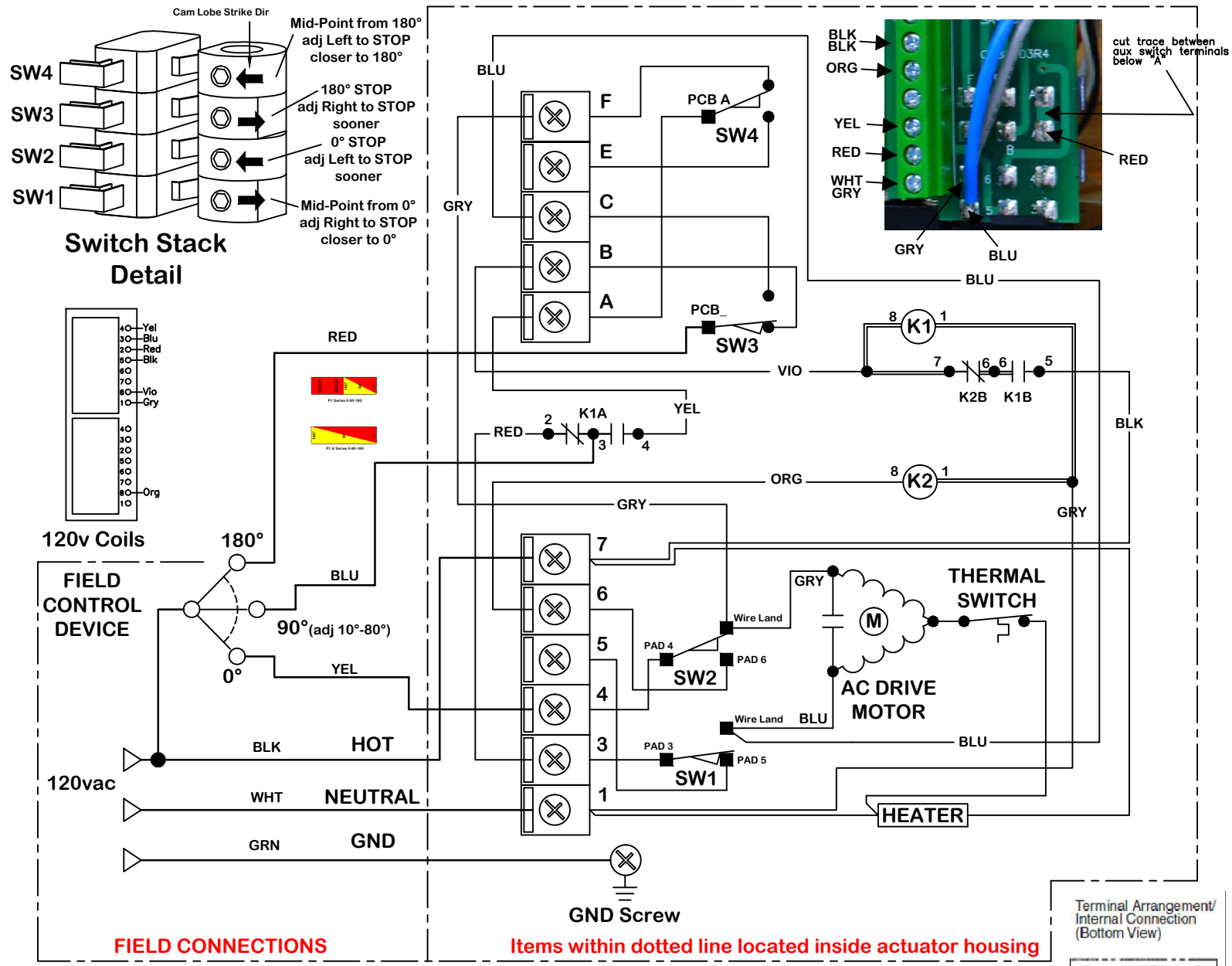
Wiring Diagram for 3 position control.
P1 Series 120VAC Actuators.

REV **A**

ProMation Engineering, Inc.
16138 Flight Path Drive
Brooksville, FL 34604
Ph:352-544-8436 Fx(352-544-8439)

Use For:

P1-120AC, 0-90-180



This document is the property of ProMation Engineering, Inc.
Distribution of this document without the written consent of the owner is strictly forbidden.
Failure to comply will incur a liability for damages.