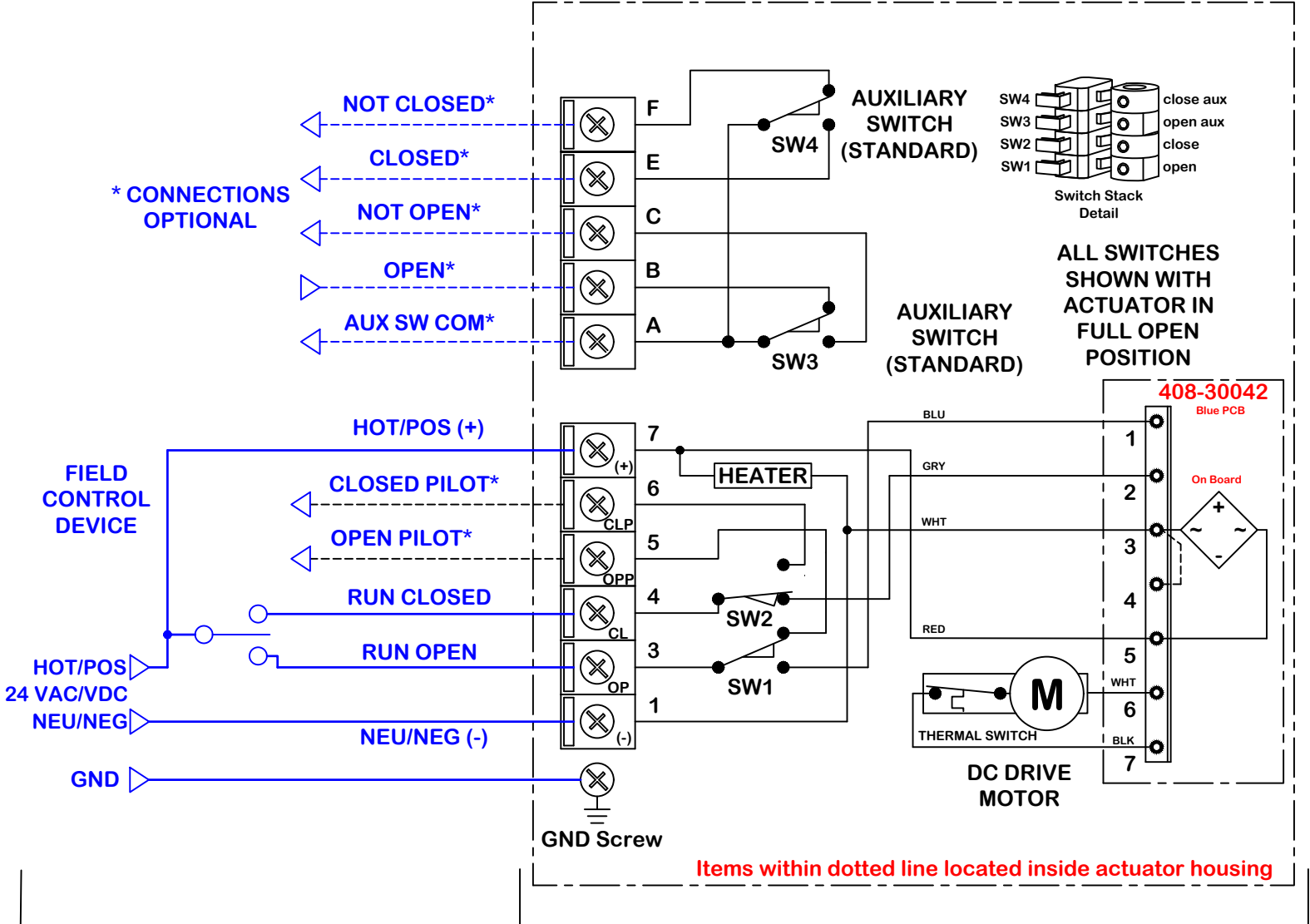


rev change date		revision		name		11/21/2019 11:40:06 AM		WD-850-1A101.dwg	
h		naming		material no		ind		Wiring Diagram	
g		dwg by: BUW		Date: 10.9.2013					
f		scale: NONE							
e									
d									
c		Added RX and UT nomenclature							
b		Hot/Pos switching, AC and DC, replace 1310IE and 1210IE With							
a		11.21.19							
Q		02.02.16							
REV		B		Wiring Diagram for 2 position or Jog Control. P1, P1.A Series 24VAC/VDC Actuators, Pos Switched.					



**Actuator ships in fully closed position!**

**P(X)1(.A)-24N4(7)+ACDC**

ProMation Engineering, Inc.  
16138 Flight Path Drive  
Brooksville, FL 34604  
Ph:352-544-8436 Fx(352-544-8439)

This document is the property of ProMation Engineering, Inc.  
Distribution of this document without the written consent of the owner is strictly forbidden.  
Failure to comply will incur a liability for damages.