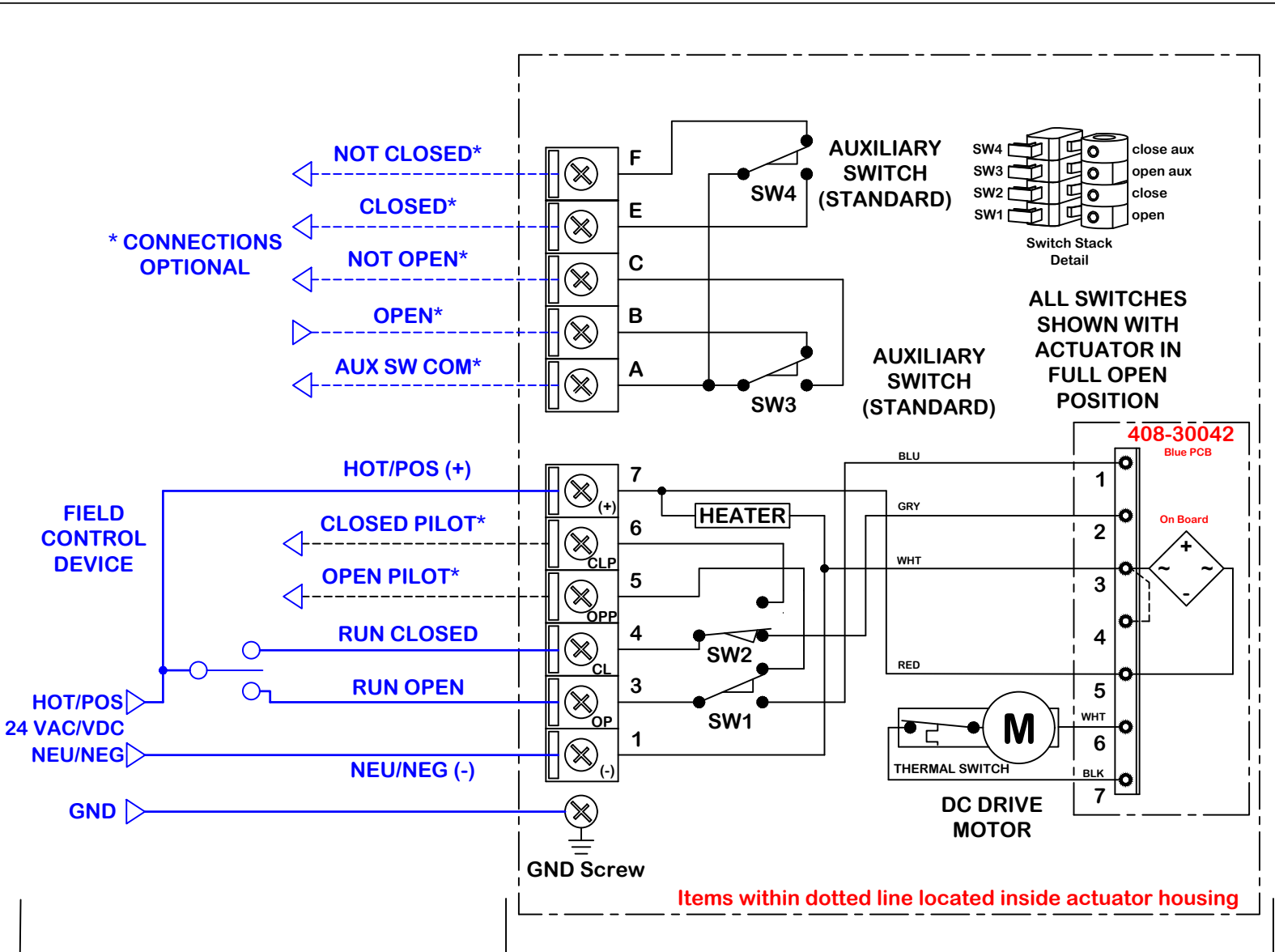


rev change date		revision		name		10/25/2021 11:43:53 AM		WD-850-1A101 C.dwg	
h		naming		material no		ind		Wiring Diagram	
g		dwn by:		Date		10.9.2013		WD-850-1A101 C	
f		scale		Date		10.9.2013		WD-850-1A101 C	
e		NONE		Date		10.9.2013		WD-850-1A101 C	
d		Added B and . nomenclature		Date		10.9.2013		WD-850-1A101 C	
c		Added B and . nomenclature		Date		10.9.2013		WD-850-1A101 C	
b		Added RX and UT nomenclature		Date		10.9.2013		WD-850-1A101 C	
a		Hot/Pos switching, AC and DC, replace 1310IE and 1210IE W/A		Date		10.9.2013		WD-850-1A101 C	
rev change date		revision		name		10/25/2021 11:43:53 AM		WD-850-1A101 C.dwg	



**FIELD WIRING
(BY OTHERS)**

**INTERNAL WIRING
(FACTORY)**

Actuator ships in fully closed position!

P(X)1(.A/.B/.C)-24N4(7)+ACDC

ProMation Engineering, Inc.
16138 Flight Path Drive
Brooksville, FL 34604
Ph:352-544-8436 Fx(352-544-8439

This document is the property of ProMation Engineering, Inc. Distribution of this document without the written consent of the owner is strictly forbidden. Failure to comply will incur a liability for damages.