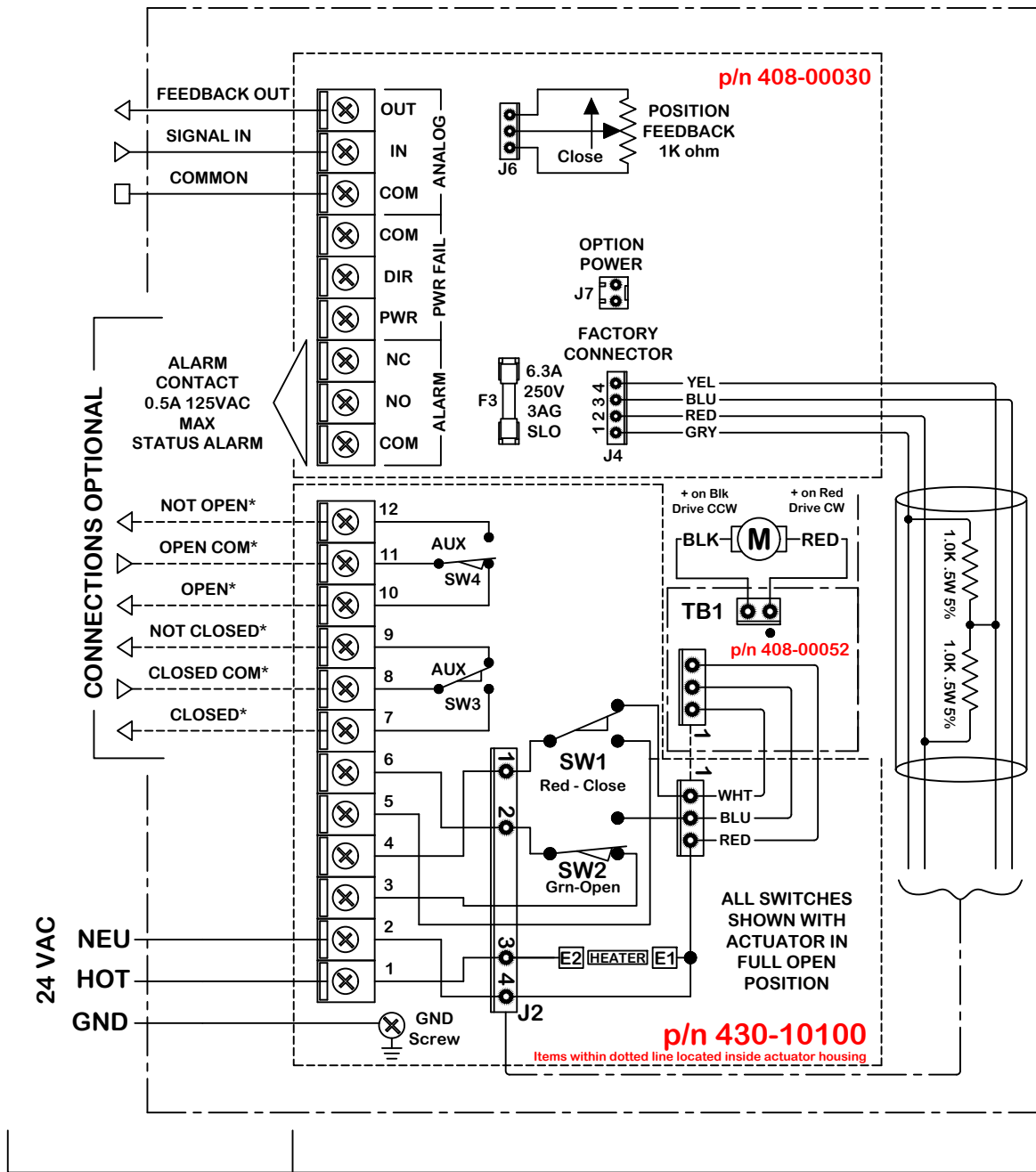


rev change date	revision	name	6/3/2020 12:36 PM	6.3A 250V 3AG SLO	YEL BLU RED GRY	1 2 3 4	6.3A 250V 3AG SLO	F3	12 11 10 9 8 7 6 5 4 3 2 1	AUX SW4 AUX SW3	10 20 30 40	J2	GND Screw	E2 HEATER E1	WHT BLU RED	1 1	1.0K .5W 5% 1.0K .5W 5%	Shrinktube around resistors	
naming			dwn by: PMR	Date: 6.03.2020	material no		ind		Wiring Diagram										
name			scale: NONE																
ProMotion			Proportional Control FULL MOD																
WD-850-23201			24VAC Supply																
REV D																			



**FIELD WIRING
(BY OTHERS)**

**INTERNAL WIRING
(FACTORY)**

Use For:

P2-8-24PN4(7)-AC

Actuator ships in fully closed position!

This document is the property of ProMation Engineering, Inc. Distribution of this document without the written consent of the owner is strictly forbidden. Failure to comply will incur a liability for damages.