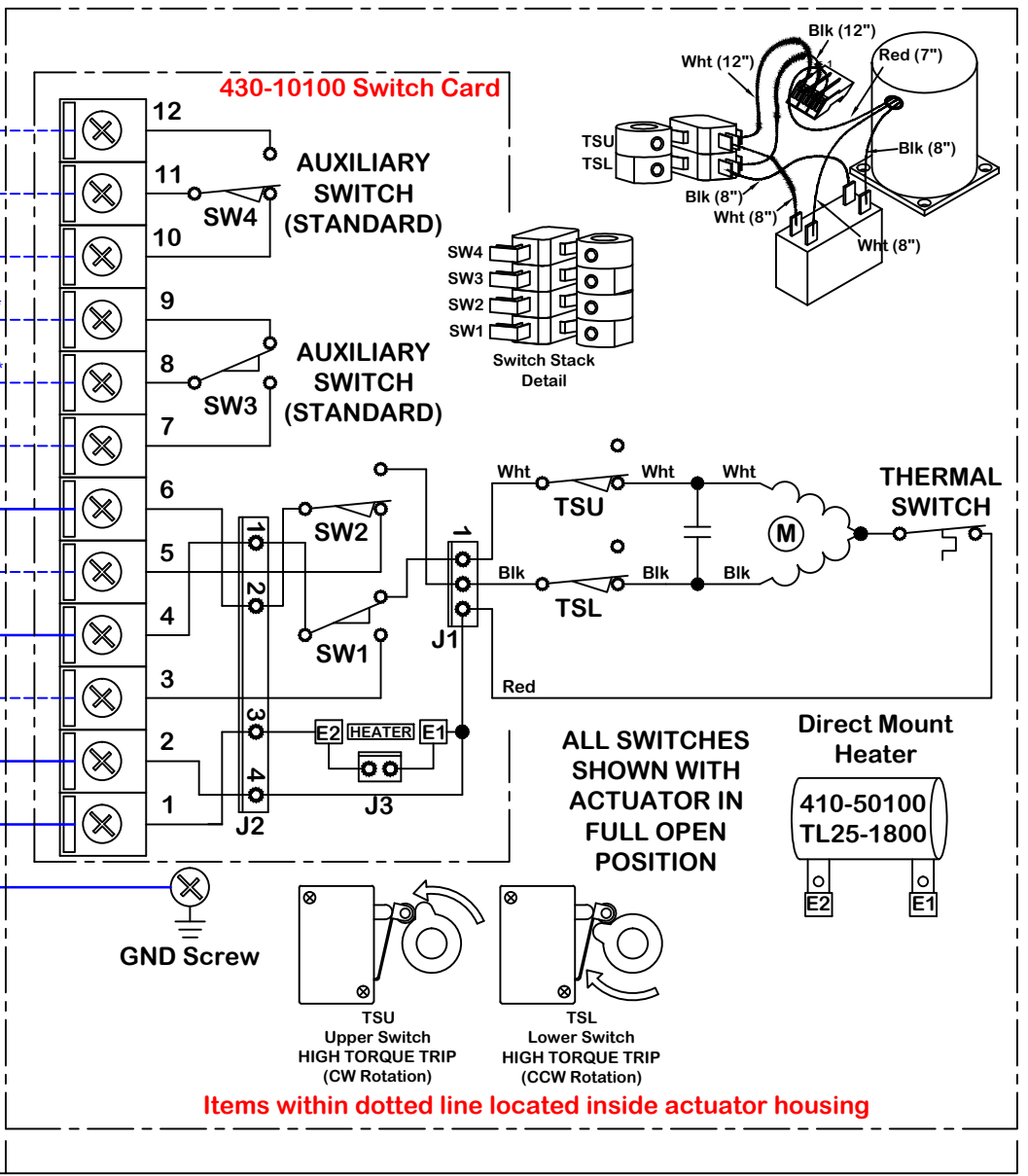
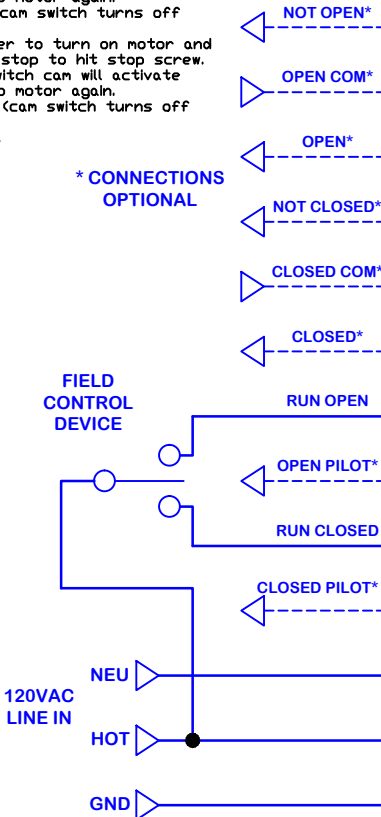


rev	change date	revision	name	2/1/2016 4:40 PM	WD-850-64102 P23 HV N7-TS.dwg	REV	F
f	08.16.2012	Added Torque Switch Test Notes	KHL				
g	02.01.2016	Wire color near motor, cap. loc.	TJM				
h							
i							
j							
k							
l							
m							
noming				material no		ind	
dwn by:				Date		Wiring Diagram	
BJW				12.15.2011		material	
scale				NONE		WD-850-64102 P23 HV N7-TS	
ProMation				Wiring Diagram for 2 position or Jog Control, P23 Series 120vac Actuators with Torque Switches			

- Torque Switch Test: (Done after limit switches are set and stops are set)
- 1 Run to CLOSE (cam switch turns off motor).
 - 2 Use screwdriver to turn on motor and allow internal stop to hit stop screw.
 - 3 Upper torque switch cam will activate switch to stop motor again.
 - 4 Run to OPEN (cam switch turns off motor).
 - 5 Use screwdriver to turn on motor and allow internal stop to hit stop screw.
 - 6 Lower torque switch cam will activate switch to stop motor again.
 - 7 Run to CLOSE (cam switch turns off motor).
 - 8 Test complete.



Field Wiring (By Others)

Internal Wiring (FACTORY)

Actuator ships in fully closed position!

Use For:

P2/3-120N7-TS

This document is the property of ProMation Engineering, Inc. Distribution of this document without the written consent of the owner is strictly forbidden. Failure to comply will incur a liability for damages.