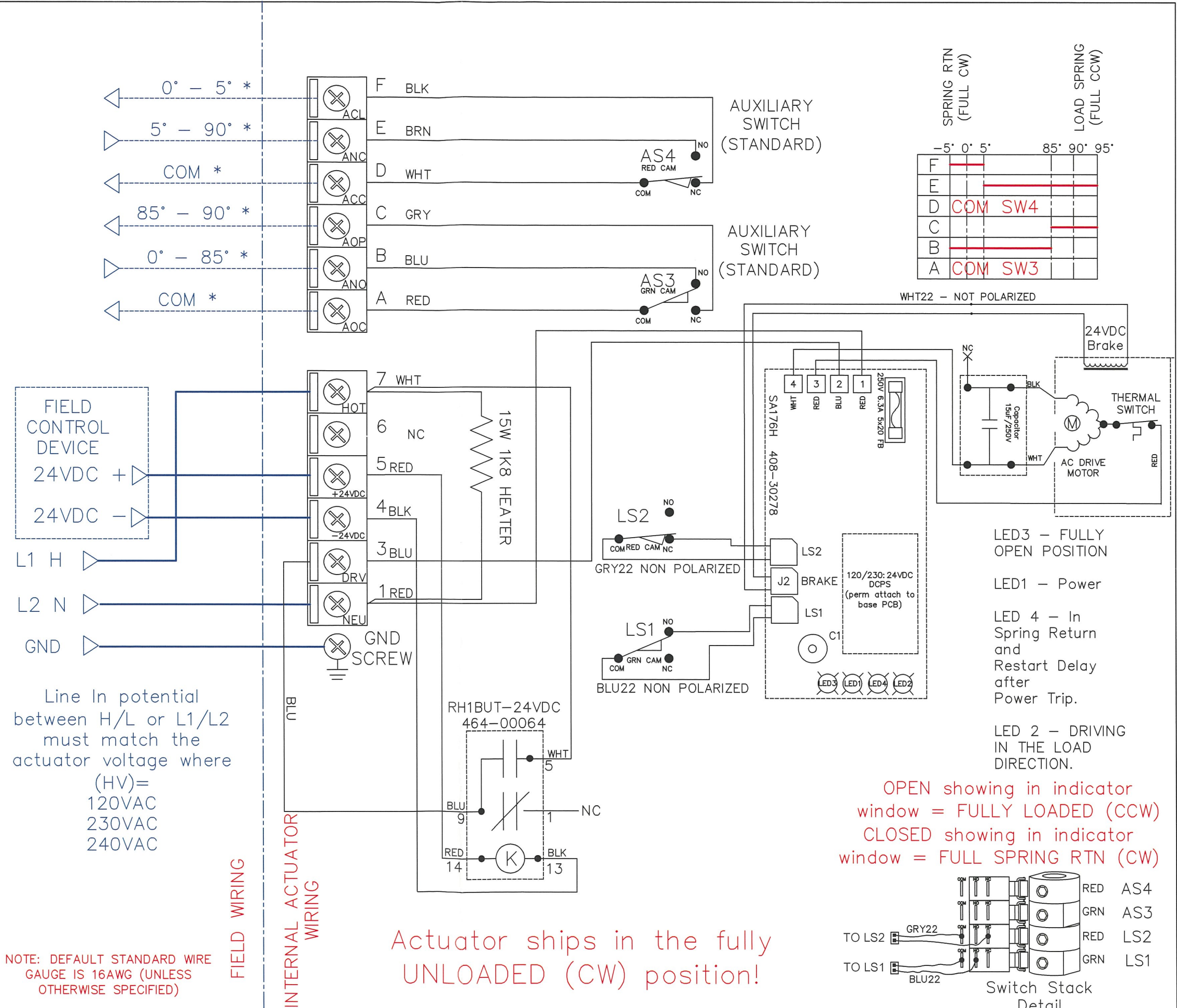


rev		change date		revision		name		Date		material no		ind		Wiring Diagram	
a		08.23.12				DJD		08.12.19		WD-850-A4A01		WD-850-A4A01 revK.dwg			
b		04.17.24				MK				WD-850-A4501					
c										WD-850-A4501					
d										WD-850-A4501					
e										WD-850-A4501					
f										WD-850-A4501					
g										WD-850-A4501					
naming										WD-850-A4501					
material										WD-850-A4501					
material										WD-850-A4501					



NOTE: DEFAULT STANDARD WIRE GAUGE IS 16AWG (UNLESS OTHERWISE SPECIFIED)

Actuator ships in the fully UNLOADED (CW) position!

OPEN showing in indicator window = FULLY LOADED (CCW)
CLOSED showing in indicator window = FULL SPRING RTN (CW)

