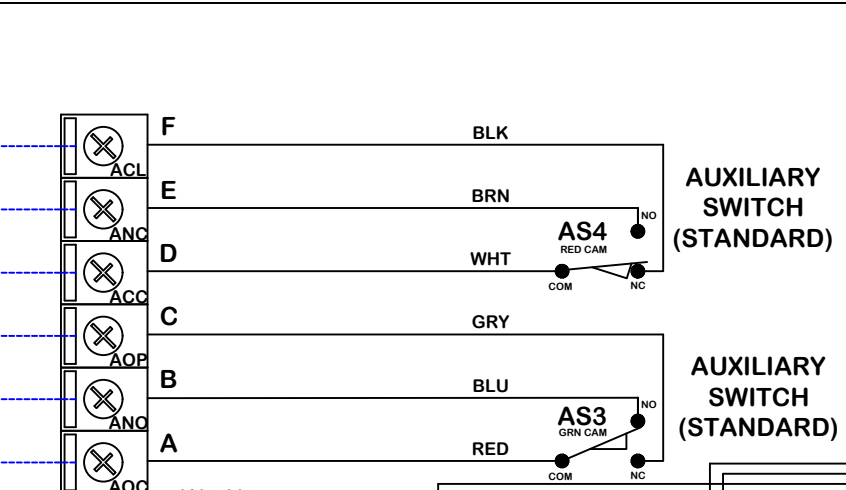
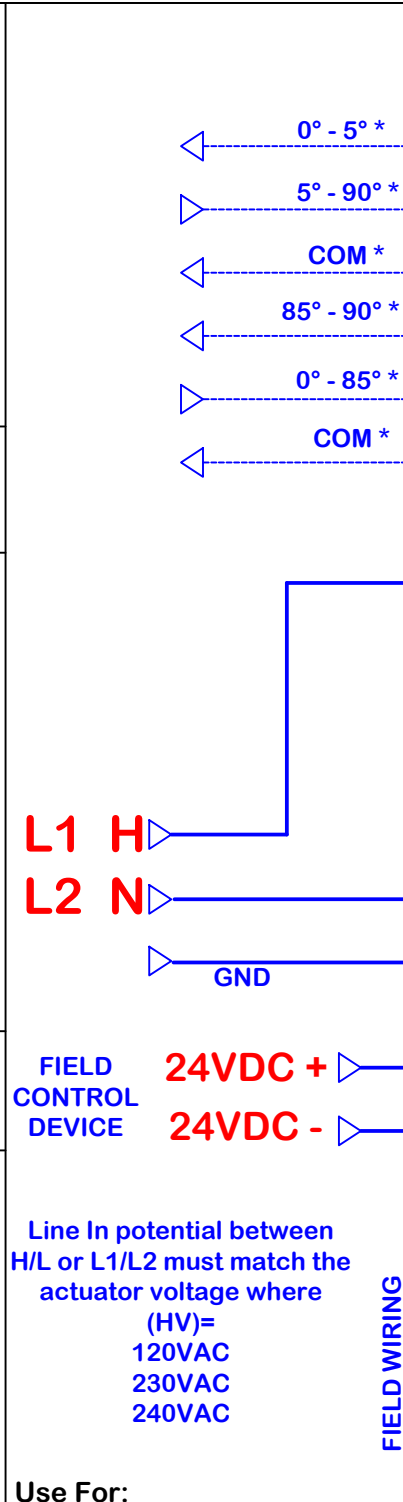


name	naming	
rev change	date	revision
d	08.23.12	
b		Add RC circuit to WD-850-A4A01 L for new WD
c		
d		
e		
f		
g		
name	name	
	DJD	
scale	NONE	
dwn by:	Date	
BJW	1.7.2015	
material no	ind	
material	Wiring Diagram	
REV	A	

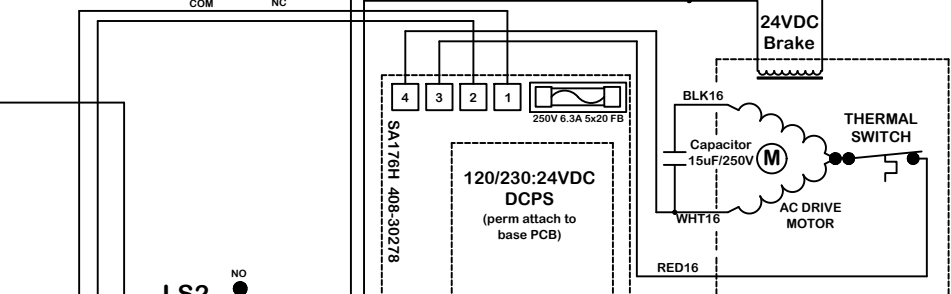
**ProMation**

**WD-850-A4501 A**

On/Off wiring diagram for 120/230vac PA-PD(O) Series CW with relay on to open



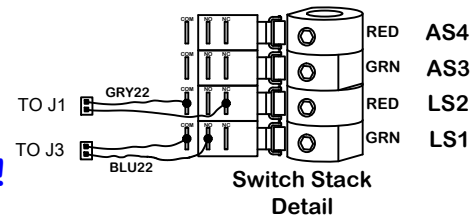
	SPRING RTN (FULL CW)	-5° 0° 5°	85° 90° 95°
F			
E			
D	COM SW4		
C			
B			
A	COM SW3		



- LED1 - Power
- LED3 - Fully OPEN Position
- LED 2 - Driving in the LOAD Direction.
- LED 4 - In Spring Return and Restart Delay after Power Trip.

**OPEN** showing in indicator window = FULLY LOADED (CCW)  
**CLOSED** showing in indicator window = FULL SPRING RTN (CW)

**Actuator ships in the fully UNLOADED (CW) position!**



Use For:

**PA/PD(O)-CW-(HV)2S4/7 RO**

This document is the property of ProMation Engineering, Inc. Distribution of this document without the written consent of the owner is strictly forbidden. Failure to comply will incur a liability for damages.

ProMation Engineering, Inc.  
 16138 Flight Path Drive  
 Brooksville, FL 34604  
 Ph:352-544-8436 Fx(352-544-8439)