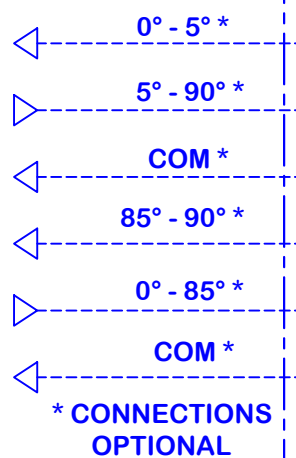
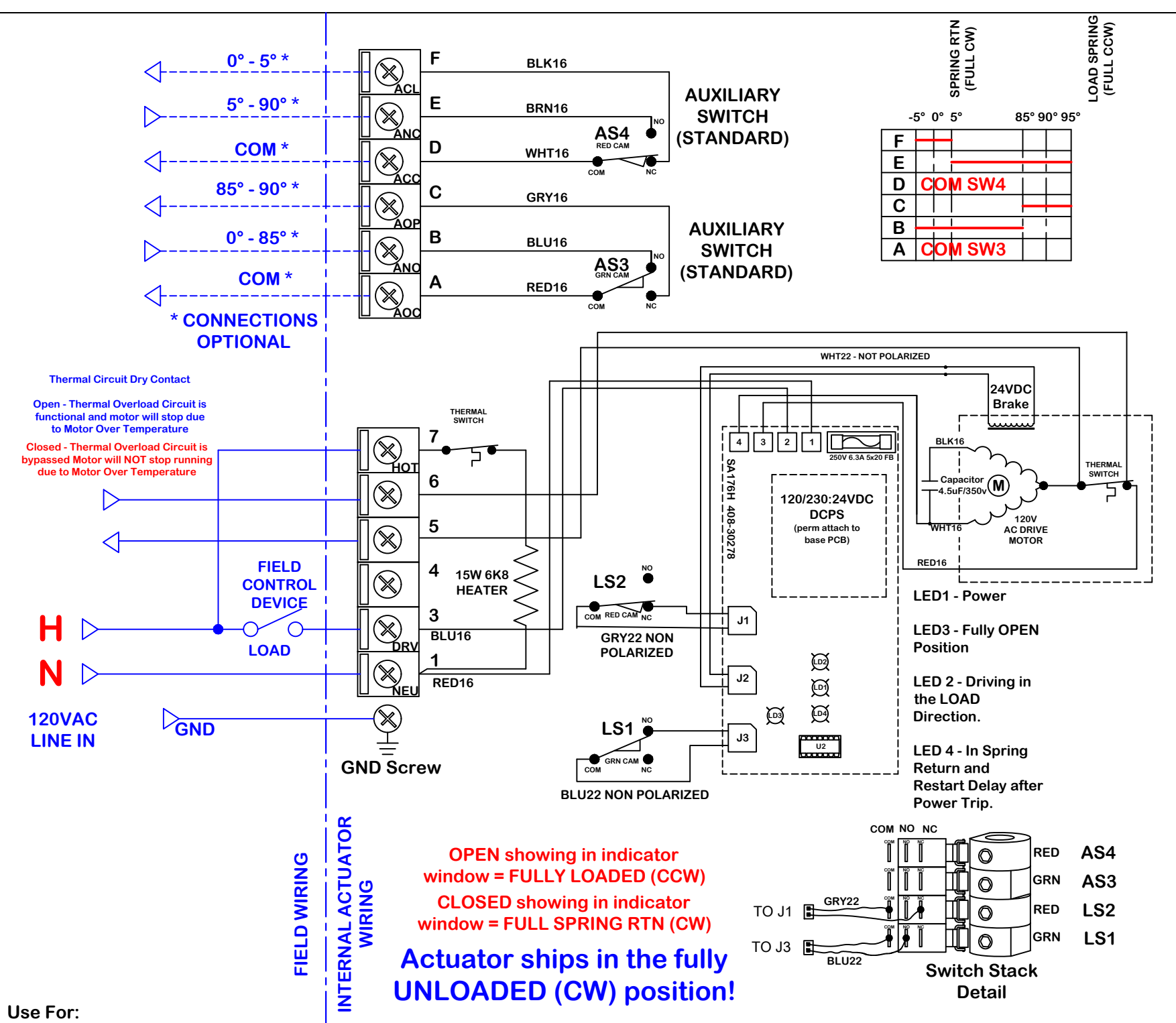


rev change	date	revision	name
A	10.09.17	ASABZ (B) voltage change	DUG
B	01.04.18	Corrected nomenclature MTC to BTC; wire colors	DUG
C	03.19.19	Added Thermal Switch option to header	DUG
naming			
dwn by:		Date	material no
BJW		10.20.2014	
scale			ind
NONE			material
Wiring Diagram			
WD-850-A4A02 C On/Off wiring diagram for 120VAC PA(O) CW Spring Return with internal motor thermo-switch bypass out (BTC). WD-850-A4A02 C.dwg			
REV	C		



SPRING RTN (FULL CCW)

LOAD SPRING (FULL CCW)

	-5°	0°	5°		85°	90°	95°
F							
E							
D							
C							
B							
A							

COM SW4 (between D and C)

COM SW3 (between B and A)

Use For:

PA/PAO-CW-1202S4-BTC

This document is the property of ProMation Engineering, Inc. Distribution of this document without the written consent of the owner is strictly forbidden. Failure to comply will incur a liability for damages.