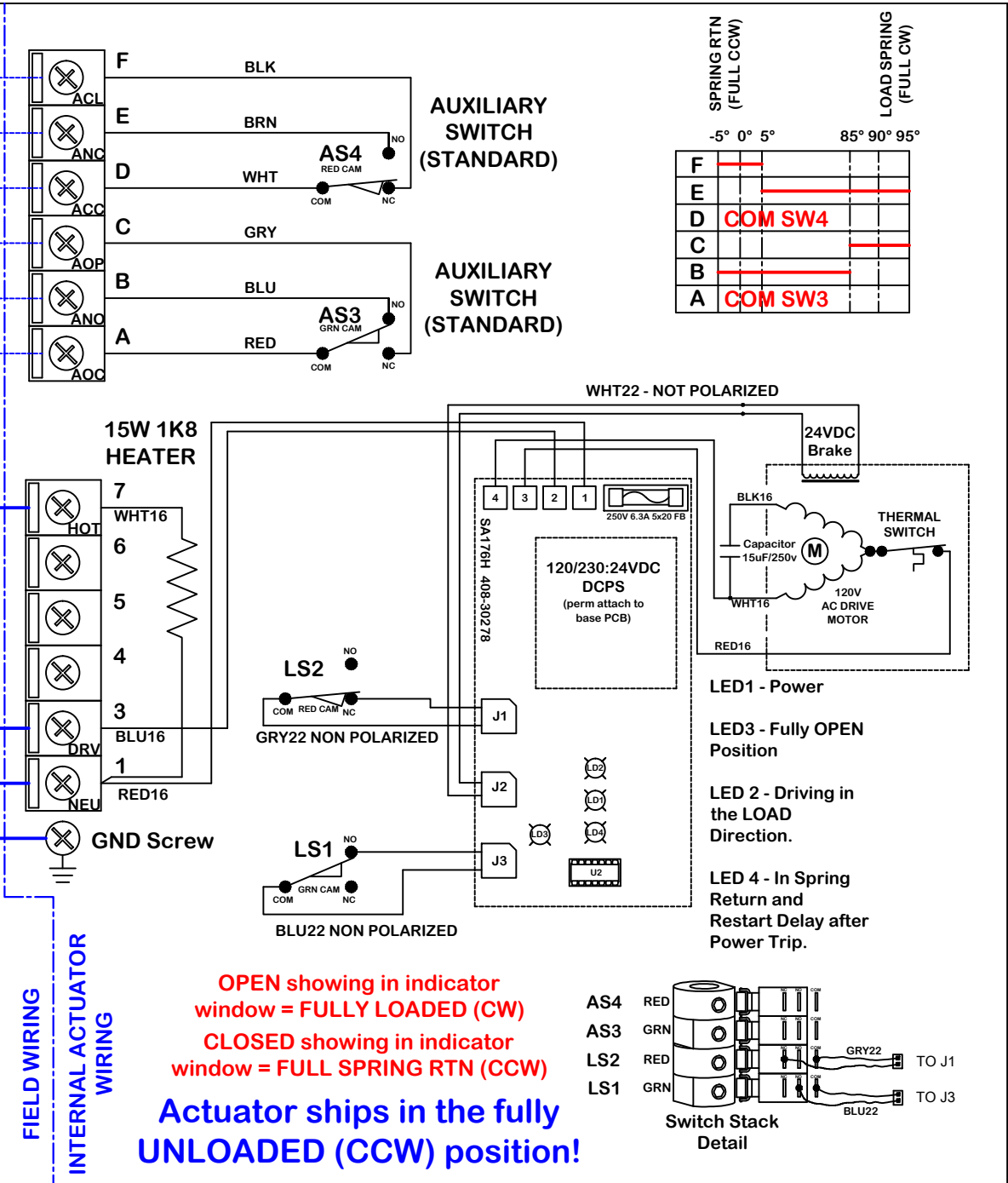


rev change date	revision	name
f 08.23.12	Formmting edits	KHL
g 10.23.14	Added signa board and cam to board stati	KHL
h 8.03.2015	Conventioal motor site addre	KHL
i 03.29.16	Fixed No. NC for LS1, LS2, limit addre	TJM
j	Motor site board	
k		
l		
m		

dwg by:	Date
BJW	4.19.2012
scale	
NONE	

4/1/2016 11:55 AM	WD-850-A4B01.dwg
Promation	On/Off wiring diagram for 120vac PA(O) Series CCW Spring Return Actuators.
REV	1

naming	
material no	
ind	
Wiring Diagram	
material	



Use For:

PA/PAO-CCW-1202S4

This document is the property of ProMation Engineering, Inc. Distribution of this document without the written consent of the owner is strictly forbidden. Failure to comply will incur a liability for damages.

ProMation Engineering, Inc.
16138 Flight Path Drive
Brooksville, FL 34604
Ph:352-544-8436 Fx(352-544-8439)