

rev change date	A	03.06.19	name	DUG
revision	AA02 (B) voltage change		scale	NONE
name			dwn by:	BJW
			Date	10.20.2014
			material no	
			ind	
			Wiring Diagram	
			material	
rev	A		REV	A

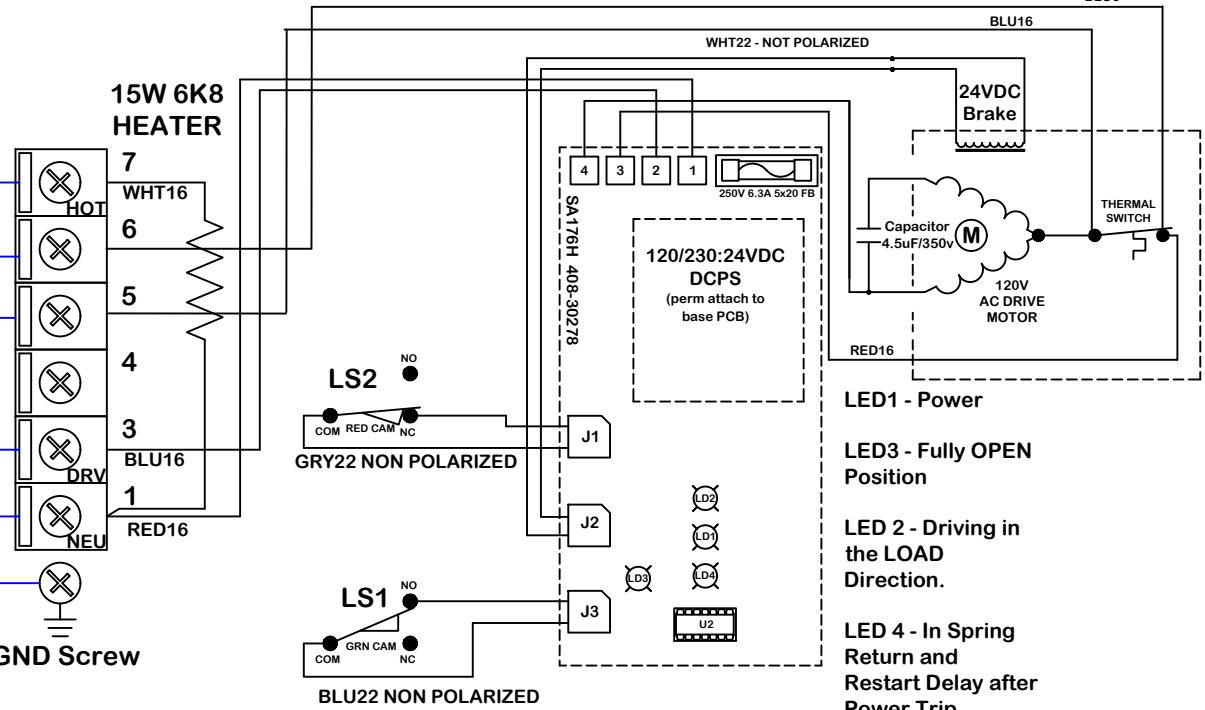
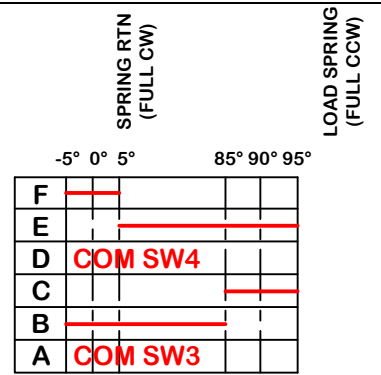
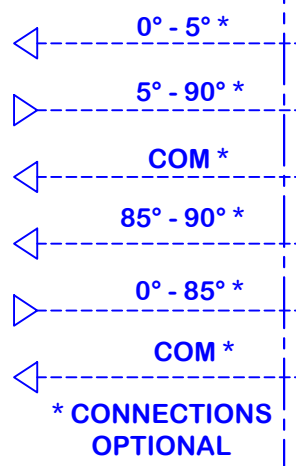
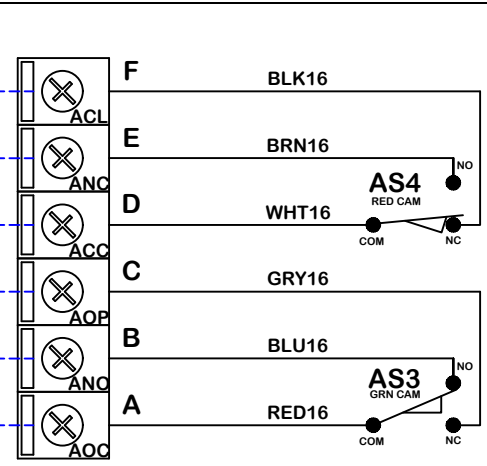
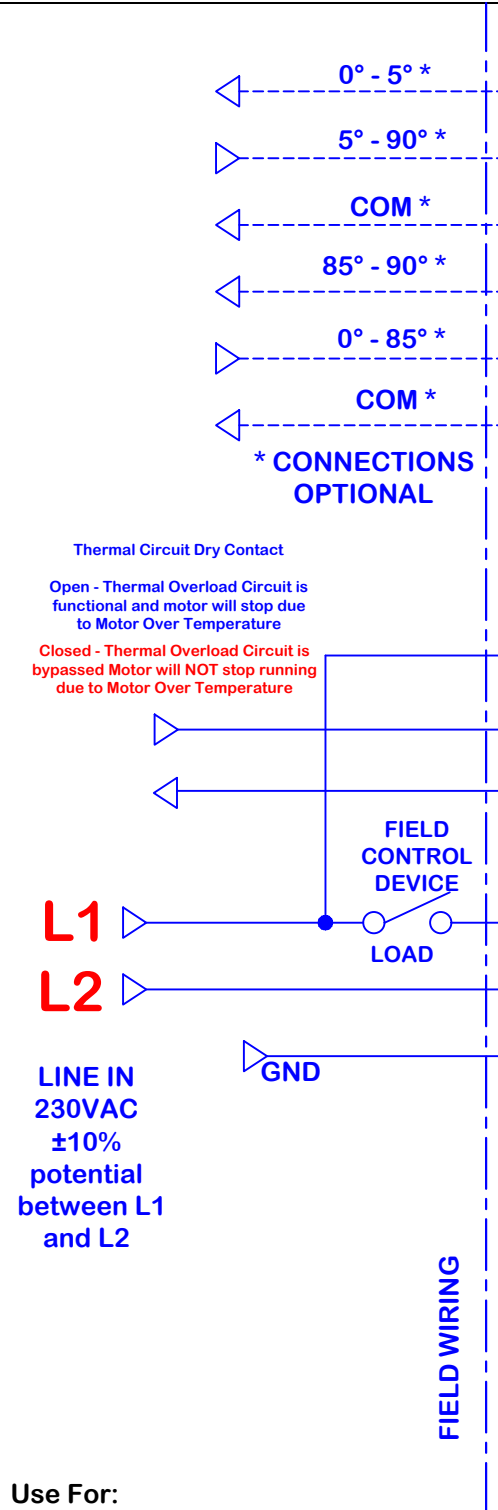
ProMation

WD-850-A5A02

On/Off wiring diagram for 230VAC PA(O) CW Spring Return with internal motor thermo-switch bypass out (BTC).

Use For:

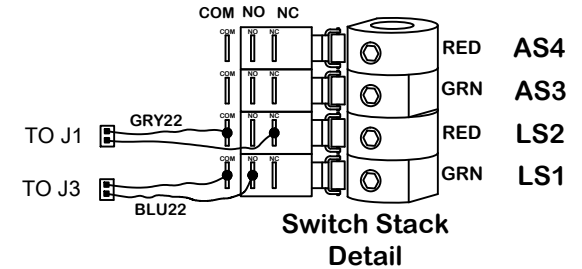
PA/PAO-CW-2302S4-BTC



OPEN showing in indicator window = **FULLY LOADED (CCW)**

CLOSED showing in indicator window = **FULL SPRING RTN (CW)**

Actuator ships in the fully UNLOADED (CW) position!



This document is the property of ProMation Engineering, Inc. Distribution of this document without the written consent of the owner is strictly forbidden. Failure to comply will incur a liability for damages.