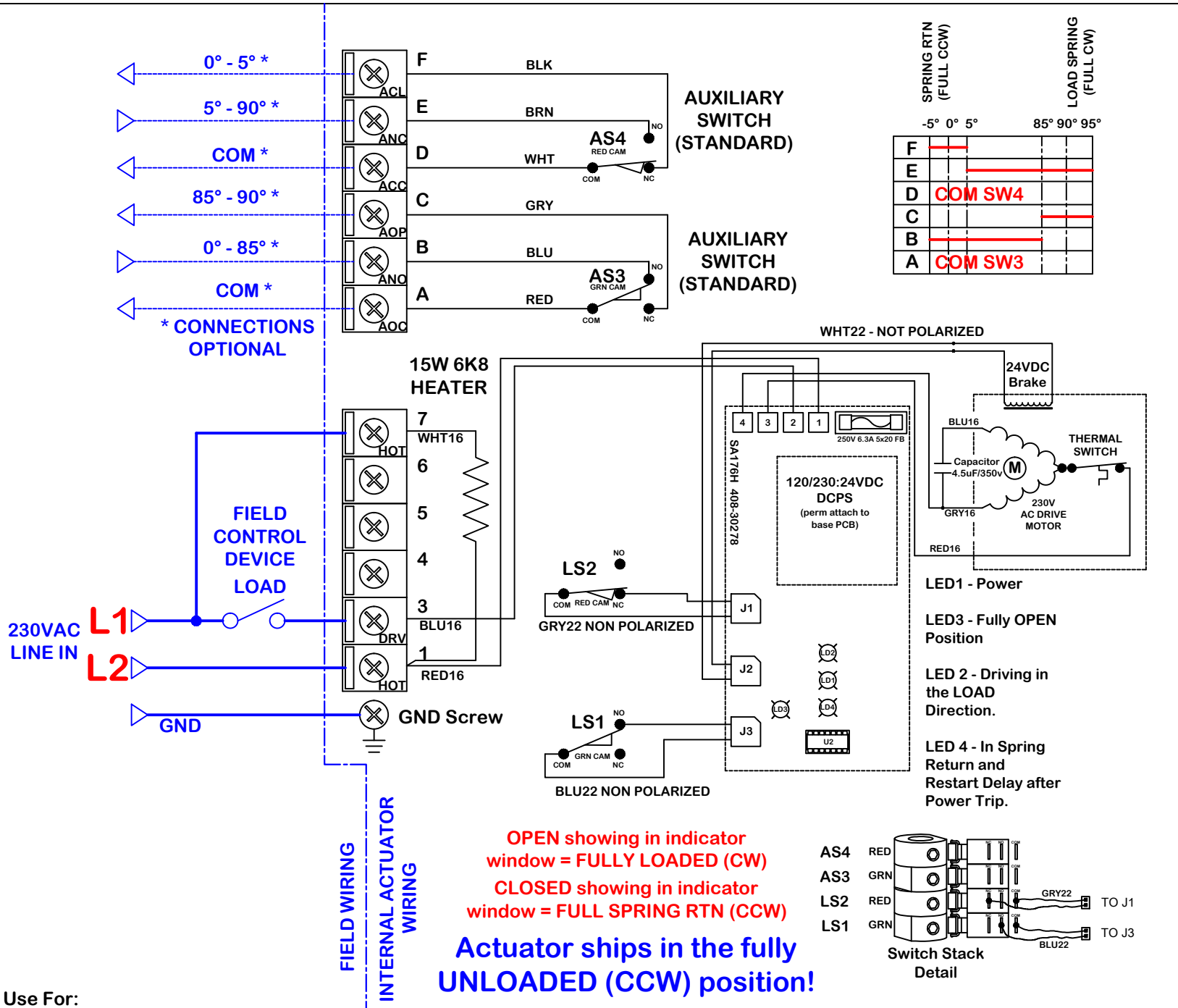


rev	change date	revision	name	4/29/2016 2:01 PM	WD-850-A5B01.dwg
f	08.23.12	Formatting edits	KHL		
g	10.23.14	Added Diagram board and cam to board detail Corrected motor wire colors	KHL		
h	04.17.2015	Removed Diagram board for On/Off with Corrected motor wire colors	KHL		
i	03.29.16	Fixed NO, NC for LS1, LS2, Input colors	TJM		
j	04.29.16	Customer notes and wiring revised	TJM		
k					
l					
m					
naming			dwn by:	BJW	Date
				4.19.2012	
			scale	NONE	
			material no		
			ind		
			Wiring Diagram		
			material		
			REV	J	
			On/Off wiring diagram for 230Vac PA(O) Series CCW Spring Return Actuators.		
			WD-850-A5B01.dwg		



Use For:

PA/PAO-CCW-2302S4

ProMation Engineering, Inc.
16138 Flight Path Drive
Brooksville, FL 34604
Ph:352-544-8436 Fx(352-544-8439)

This document is the property of ProMation Engineering, Inc.
Distribution of this document without the written consent of the owner is strictly forbidden.
Failure to comply will incur a liability for damages.