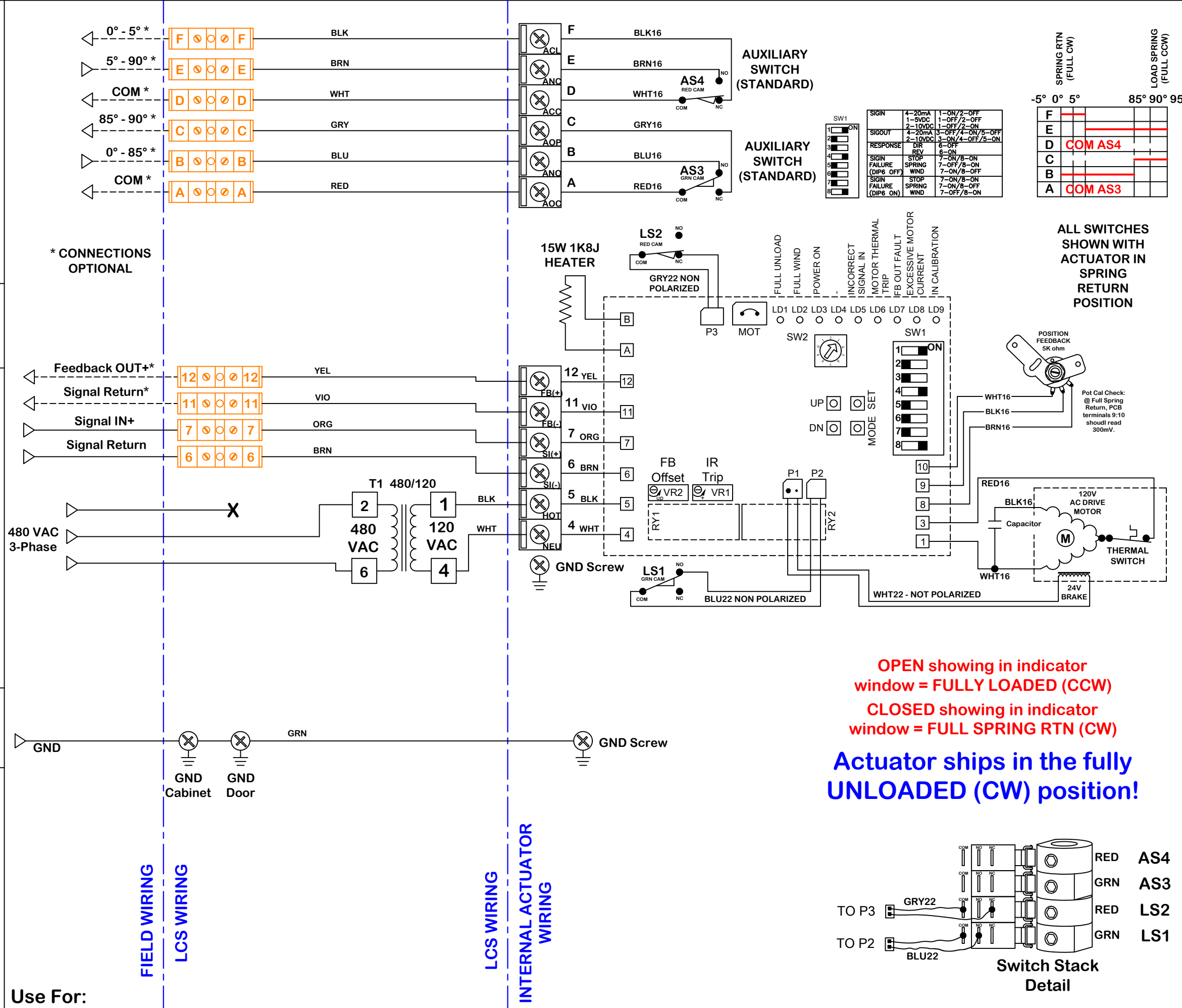


rev	change date	revision	name	5/18/2020 3:41 PM	WD-850-A8C01 F.dwg
j		naming	material no		
i			ind		
h			Wiring Diagram		
g			material		
f	05.18.20	Removed dequipping board	scale	NONE	WD-850-A8C01 F
e	07.08.15	Corrected wire colors on pot	date	9.3.2014	
d	05.27.15	Corrected field wiring to transformer	dwg by:	BJW	ProMation Engineering, Inc. 16138 Flight Path Drive Brooksville, FL 34604 Ph:352-544-8436 Fx(352-544-8439)
c	05.07.15	New Document			
					REV F



ProMation Engineering, Inc.
16138 Flight Path Drive
Brooksville, FL 34604
Ph:352-544-8436 Fx(352-544-8439)

PA/PAO-CW-483PS4

This document is the property of ProMation Engineering, Inc.
Distribution of this document without the written consent of the owner is strictly forbidden.
Failure to comply will incur a liability for damages.