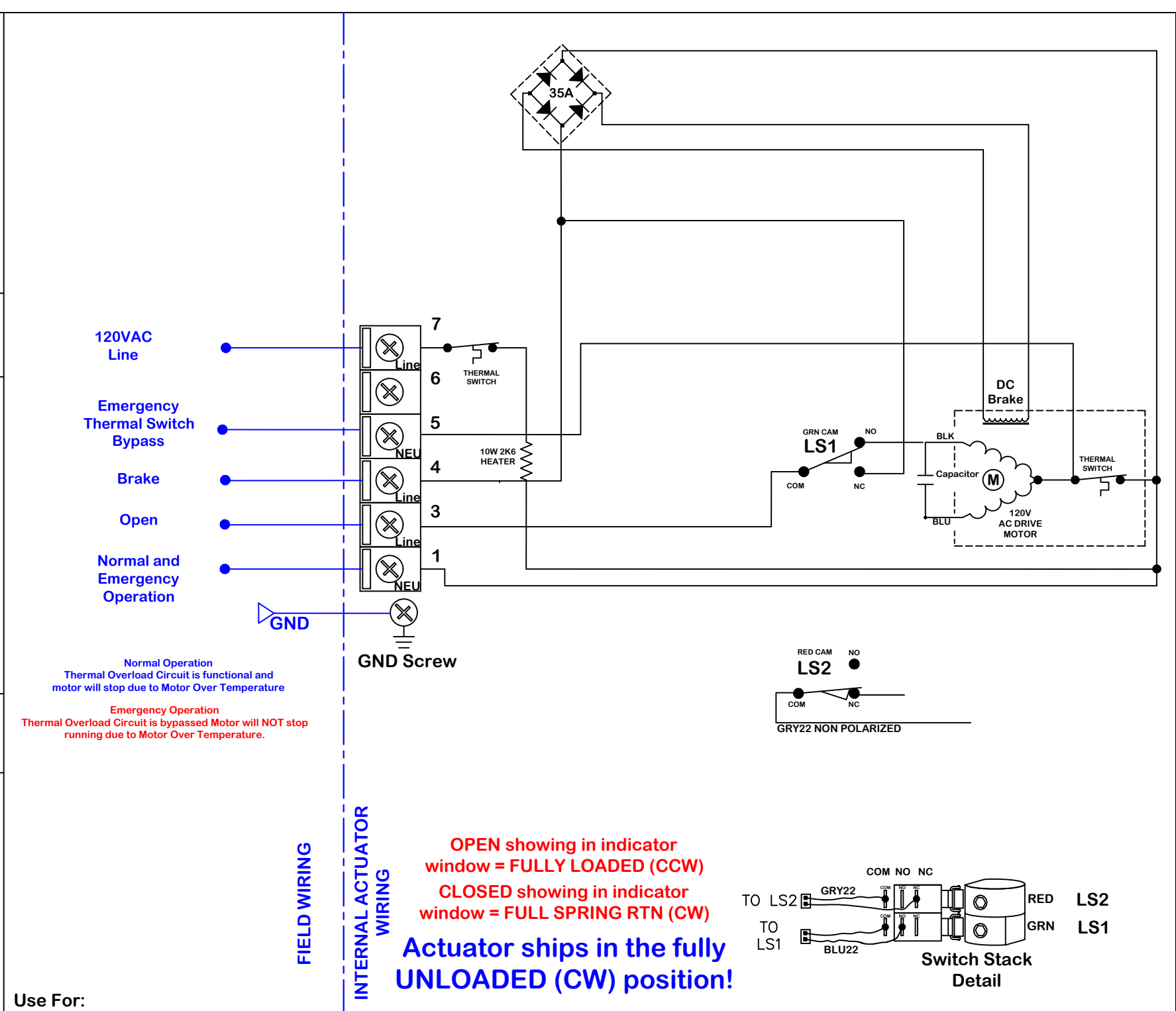


name		narning	
dwn by:		BJW	
Date		10.20.2014	
scale		NONE	
material no		WD-850-AE4A1 A	
ind		Wiring Diagram	
material			
rev change date		02.21.24	
revision		New from 850-AE4A08 C	
name		DJG	
2/21/2024 5:47 PM		Promotion	
On/Off wiring for 120VAC PA to PE (O) CW Spring Return with External control and thermo-switch bypass out (BTC).		WD-850-AE4A1 A.dwg	
REV		A	



Use For: **PA-E(O)-CW-1202S4-BTC-SC**

This document is the property of ProMation Engineering, Inc. Distribution of this document without the written consent of the owner is strictly forbidden. Failure to comply will incur a liability for damages.