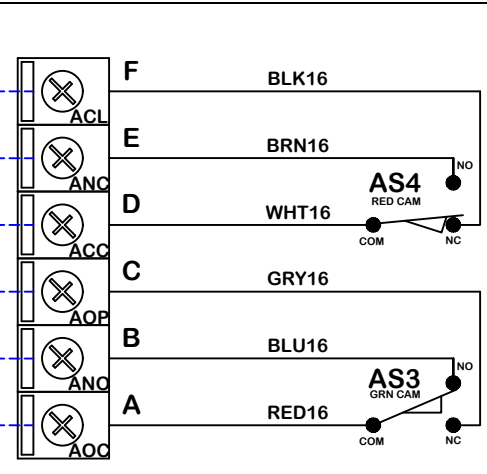
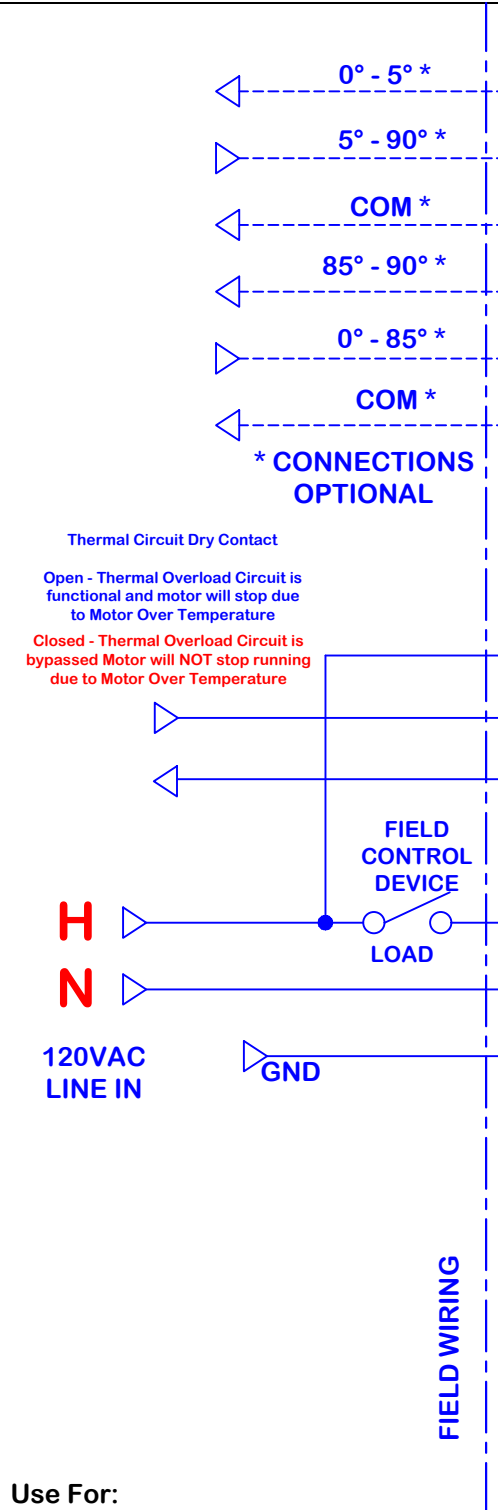
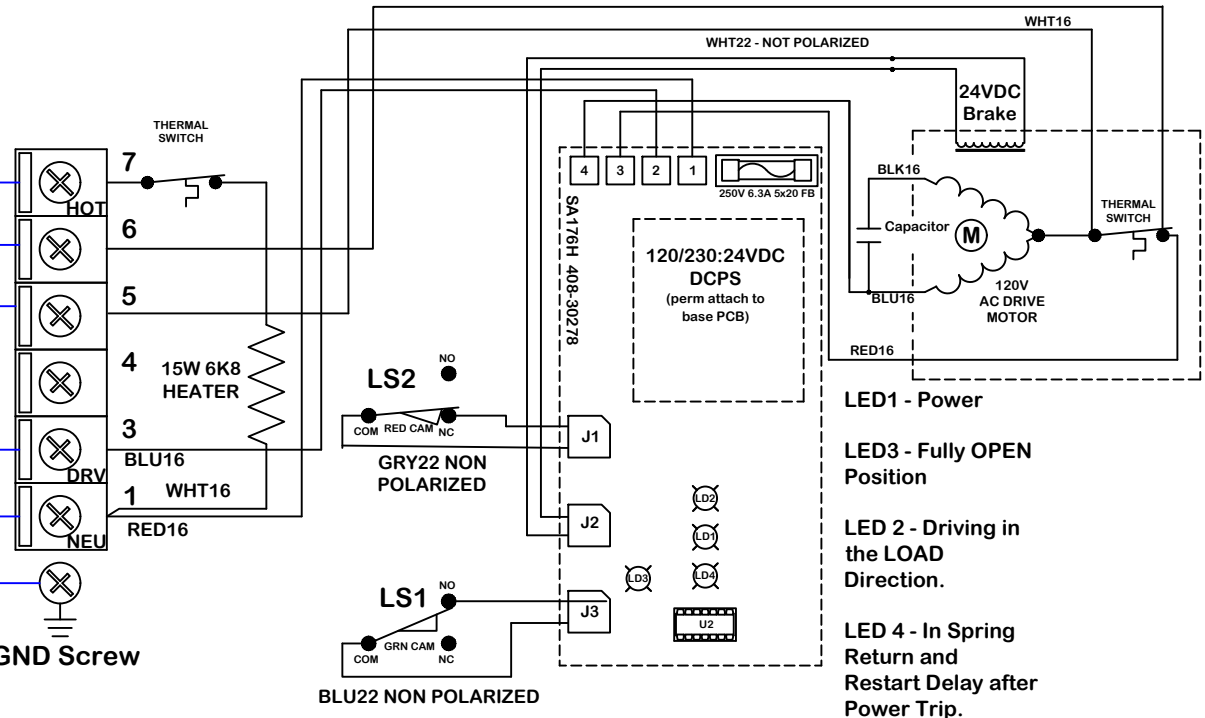
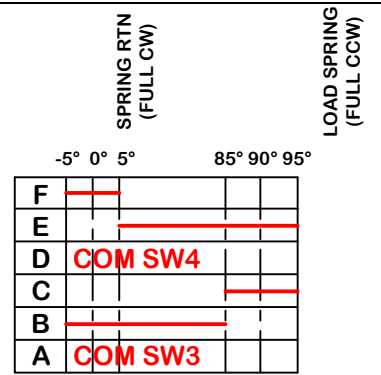


rev change	date	revision	name
A	10.09.17	B5A02 (C) voltage change	DJG
B	12.28.17	Corrected nomenclature MTC to BTC; wire colors	DJG
C	03.19.19	Added Thermal Switch option to header	DJG
naming			
dwn by:		Date	material no
BJW		10.20.2014	
scale		ind	Wiring Diagram
NONE			
<b>WD-850-B4A02 C</b>			
On/Off wiring diagram for 120VAC PB(O) CW Spring Return with internal motor thermo-switch bypass out (BTC).			
REV	C		
WD-850-B4A02 C.dwg			



**AUXILIARY SWITCH (STANDARD)**

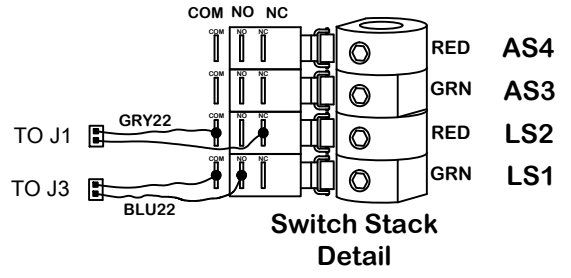
**AUXILIARY SWITCH (STANDARD)**



**OPEN** showing in indicator window = FULLY LOADED (CCW)

**CLOSED** showing in indicator window = FULL SPRING RTN (CW)

**Actuator ships in the fully UNLOADED (CW) position!**



Use For:

**PB/PBO-CW-1202S4-BTC**

This document is the property of ProMation Engineering, Inc. Distribution of this document without the written consent of the owner is strictly forbidden. Failure to comply will incur a liability for damages.