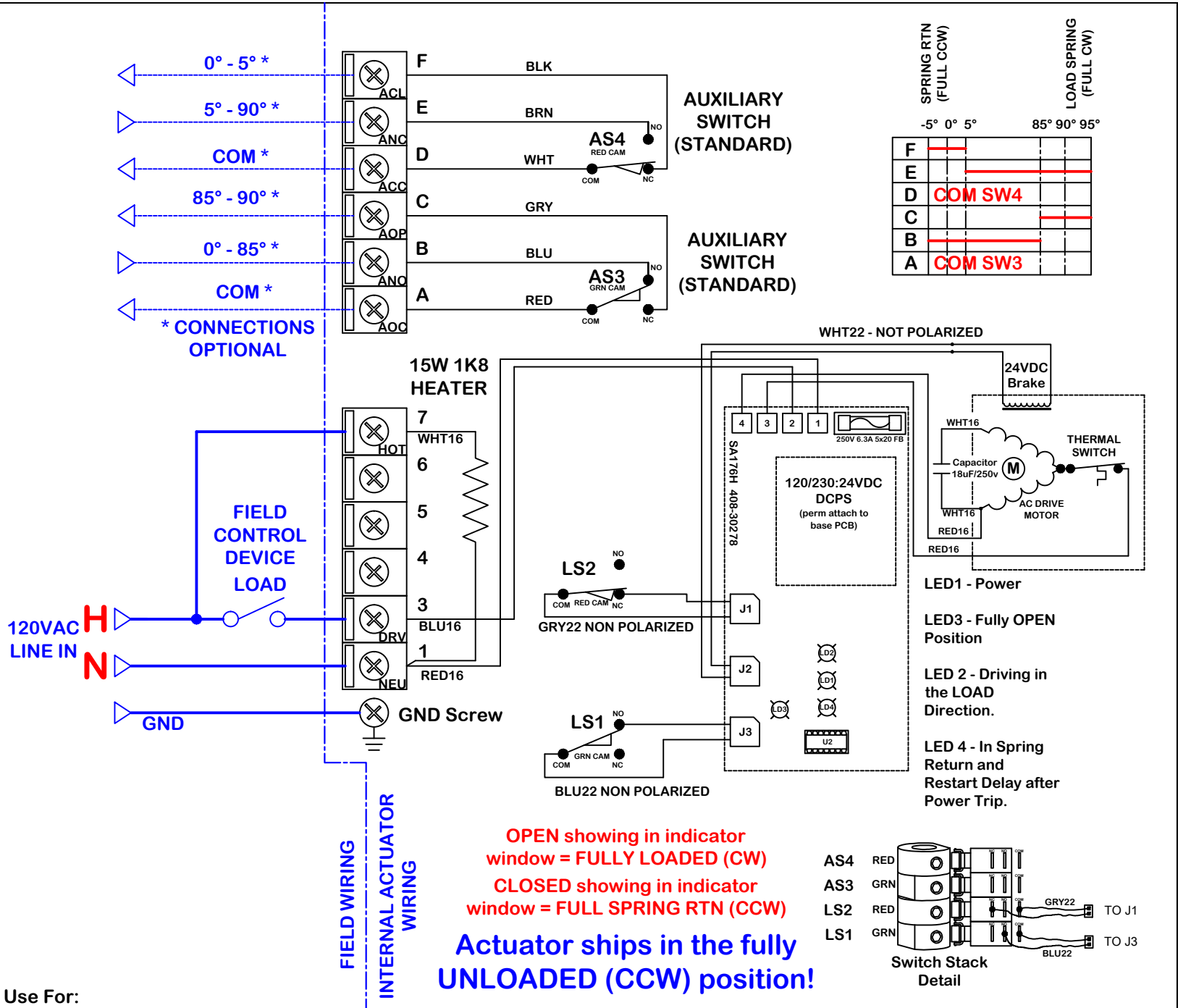


rev change date		revision		name		4/1/2016 11:56 AM		WD-850-B4B01.dwg	
f 08.23.12		Formattting edits		KHL				On/Off wiring diagram for 120vac PB(O) Series CCW Spring Return Actuators.	
g 11.20.2014		Added original board and cam to board detail		KHL				REV 1	
h 08.03.2015		Controlled motor wire colors		KHL					
i 03.29.16		Fixed M0, NC for LS1, LS2, Spring return		TJM					
j		Revised wire colors							
k									
l									
m									
naming		dwn by:		Date		material no		Wiring Diagram	
		BJW		4.19.2012		ind		material	
		scale		NONE					
		Promation							
		4/1/2016 11:56 AM							



Use For:

# PB/PBO-CCW-1202S4

ProMation Engineering, Inc.  
16138 Flight Path Drive  
Brooksville, FL 34604  
Ph:352-544-8436 Fx(352-544-8439)

This document is the property of ProMation Engineering, Inc.  
Distribution of this document without the written consent of the owner is strictly forbidden.  
Failure to comply will incur a liability for damages.