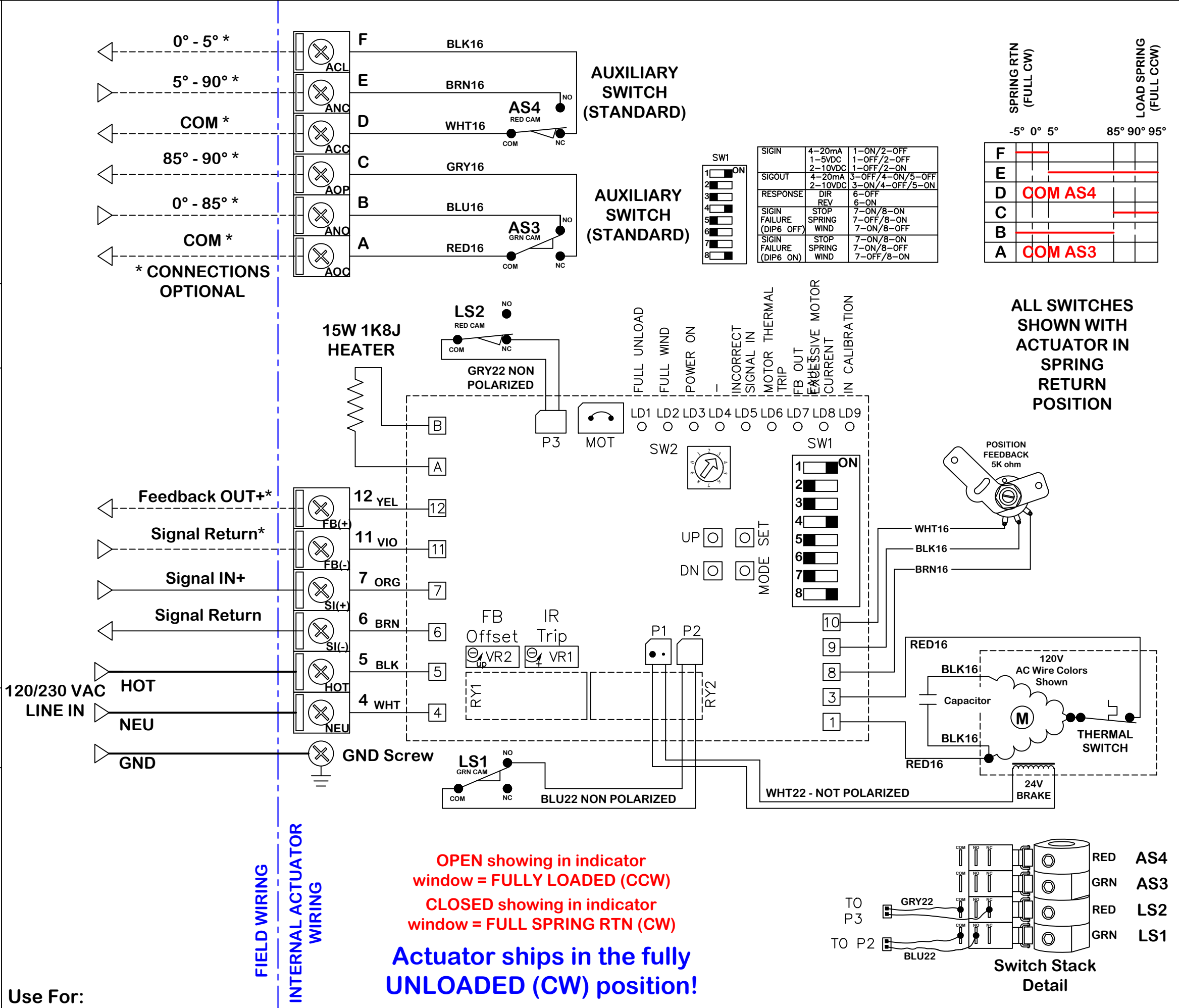


rev		change date		revision		name		8/10/2023 12:28 PM		WD-850-B4C01 H.dwg	
j		naming		dwn by:		Date		Bjw		9.3.2014	
i	08.10.23			Added 230 line power							
h	05.18.20			Removed Dequating Board							
g	07.08.15			Corrected wire colors on pot							
f	10.21.14			Added detail on pot, coms, and position board							
e	08.29.13			Edited DIP switch settings							
d	08.23.12			Formatting edits							
c											
b											
a											
name		scale		NONE		material no		ind		Wiring Diagram	
material											
REV										H	

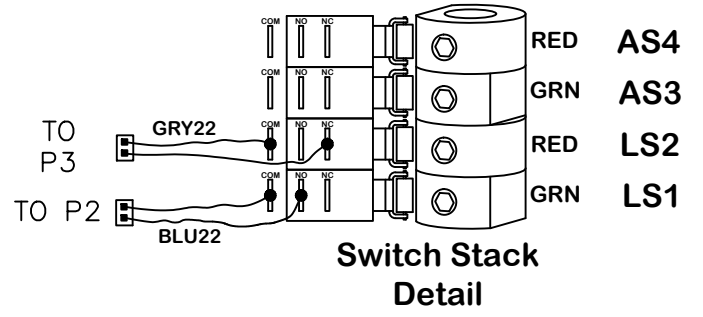
ProMation Engineering, Inc.  
16138 Flight Path Drive  
Brooksville, FL 34604  
Ph:352-544-8436 Fx(352-544-8439)

Use For:

# PB/PBO-CW-230PS4



**OPEN** showing in indicator window = **FULLY LOADED (CCW)**  
**CLOSED** showing in indicator window = **FULL SPRING RTN (CW)**  
**Actuator ships in the fully UNLOADED (CW) position!**



This document is the property of ProMation Engineering, Inc. Distribution of this document without the written consent of the owner is strictly forbidden. Failure to comply will incur a liability for damages.