

rev change date	revision	name	dwn by:	Date	material no	ind	Wiring Diagram	material
h								
g								
f	11.28.22	Changed motor wire colors for A vs BCD, add switch wiring	BJW	4.22.2012				
e	09.27.21	Added A to product list						
d	08.07.21	Corrected Wire #'s to Part						
c	03.30.21	Added B,C,D (O) to list						
b	08.23.12	Formatting edits						
a	06.05.12	Edited Wiring (Term. 1,3,8,9,10)						
rev change date	revision	name	11/28/2022 3:37 PM					

ProMation

Proportional wiring diagram for 120vac PB,C,D(O) Series CCW Spring Return Actuators.

REV **F**

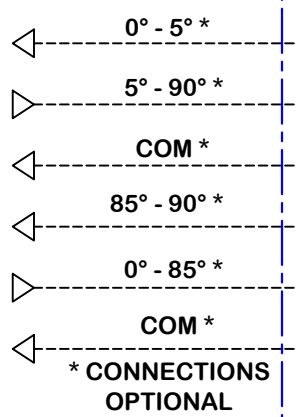
scale NONE

WD-850-B4D01 F

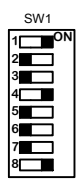
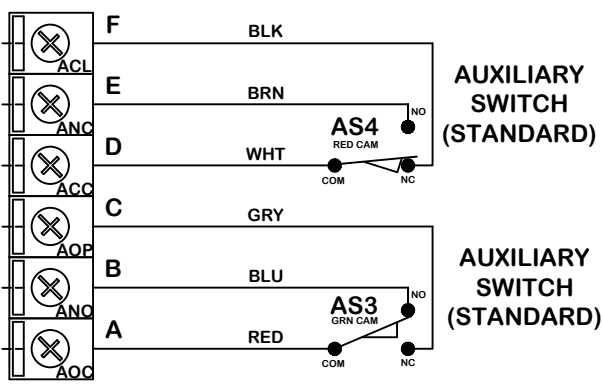
- PC CCW Lb15
NOTICE!
This unit will NOT power up until Cam #2 (RED) is clear of switch roller.
- PCO CCW Lb11
Turning Handwheel beyond full CW position will damage this actuator. Warranty is VOID if there is mechanical damage to the manual override unit.
- PCO CCW Lb13
Handwheel Freewheel from FULL CW position before engaging drive is 8.5 turns. THEN Handwheel turns 22 turns to drive actuator to FULL CW Position.
- PCO CCW Lb13
NOTICE!
This unit will NOT power up unless handwheel is turned FULLY COUNTER-CLOCKWISE

Use For:

PA,B,C,D (O)-CCW-120PS4

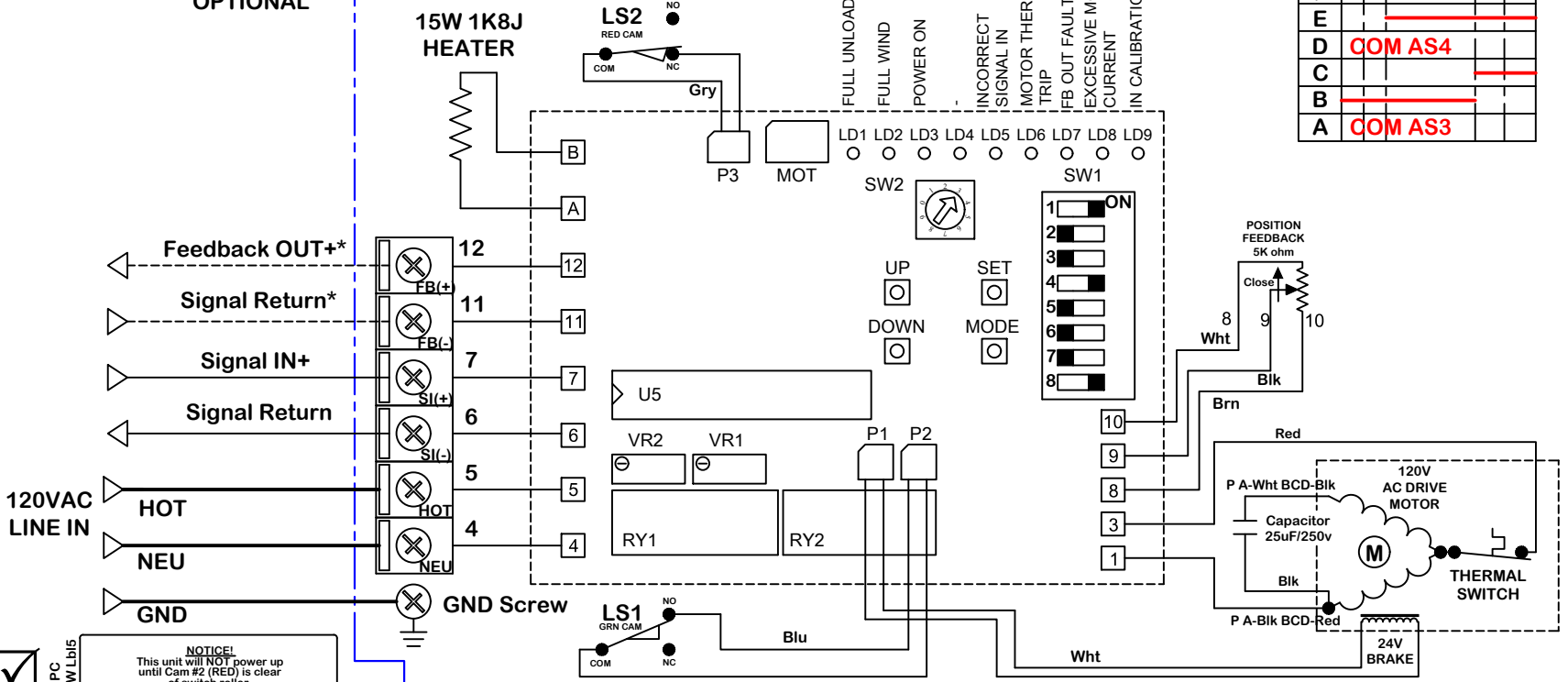
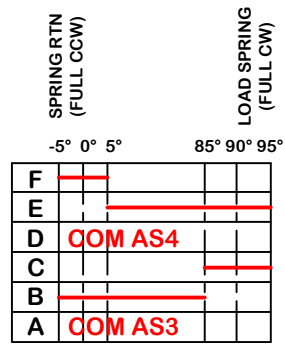


* CONNECTIONS OPTIONAL



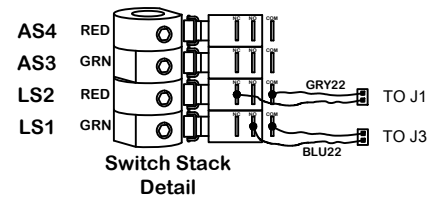
SIGN	4-20mA	1-ON/2-OFF
	1-SVDC	1-OFF/2-OFF
	2-10VDC	1-OFF/2-ON
SIGOUT	4-20mA	3-OFF/4-ON/5-OFF
	2-10VDC	3-ON/4-OFF/5-ON
RESPONSE	DIR	6-OFF
	REV	6-ON
SIGN FAILURE (DIP6 OFF)	STOP WIND SPRING	7-ON/8-ON
		7-OFF/8-ON
SIGN FAILURE (DIP6 ON)	STOP WIND SPRING	7-ON/8-OFF
		7-OFF/8-OFF

ALL SWITCHES SHOWN WITH ACTUATOR IN SPRING RETURN POSITION



FIELD WIRING
INTERNAL ACTUATOR WIRING

OPEN showing in indicator window = FULLY LOADED (CW)
CLOSED showing in indicator window = FULL SPRING RTN (CCW)
Actuator ships in the fully UNLOADED (CCW) position!



This document is the property of ProMation Engineering, Inc. Distribution of this document without the written consent of the owner is strictly forbidden. Failure to comply will incur a liability for damages.

ProMation Engineering, Inc.
16138 Flight Path Drive
Brooksville, FL 34604
Ph:352-544-8436 Fx(352-544-8439)