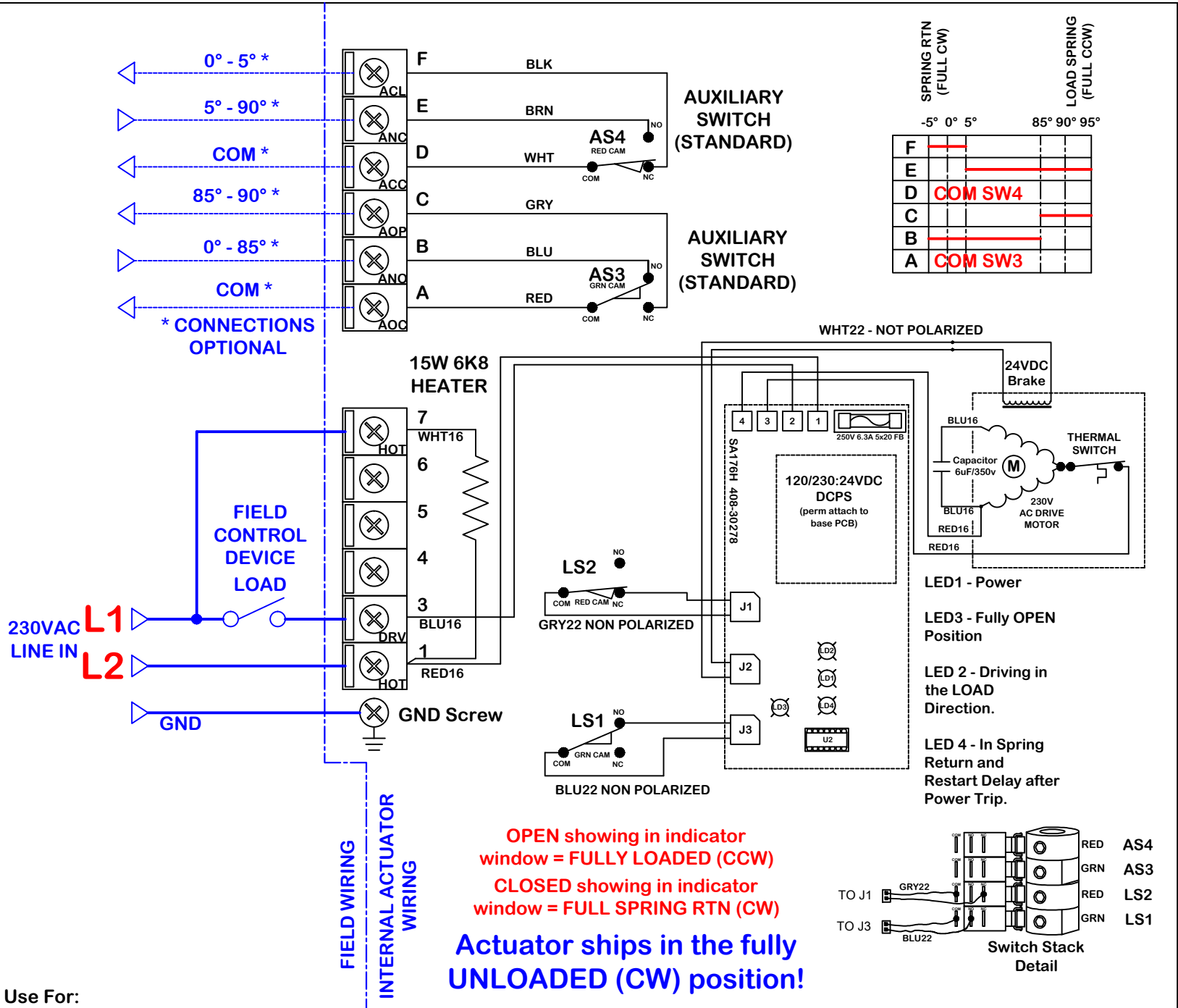


rev change date		revision		name		4/29/2016 3:22 PM		WD-850-B5A01.dwg	
f 08.23.12		Formattting edits		KHL				On/Off wiring diagram for 230vac PB(O) Series CW Spring Return Actuators.	
g 10.23.14		Added original board and cam to board detail		KHL				REV 1	
h 04.17.2015		Removed Original board for On/Off units		KHL				WD-850-B5A01	
i 03.29.16		Revised No. NC for LSI, LED, Input values		TJM				Wiring Diagram	
j								material	
k								ind	
l								material	
m								Wiring Diagram	
naming		Date		Date		Date		Date	
		dwn by:		BJW		4.19.2012			
		scale		NONE					



This document is the property of ProMation Engineering, Inc. Distribution of this document without the written consent of the owner is strictly forbidden. Failure to comply will incur a liability for damages.