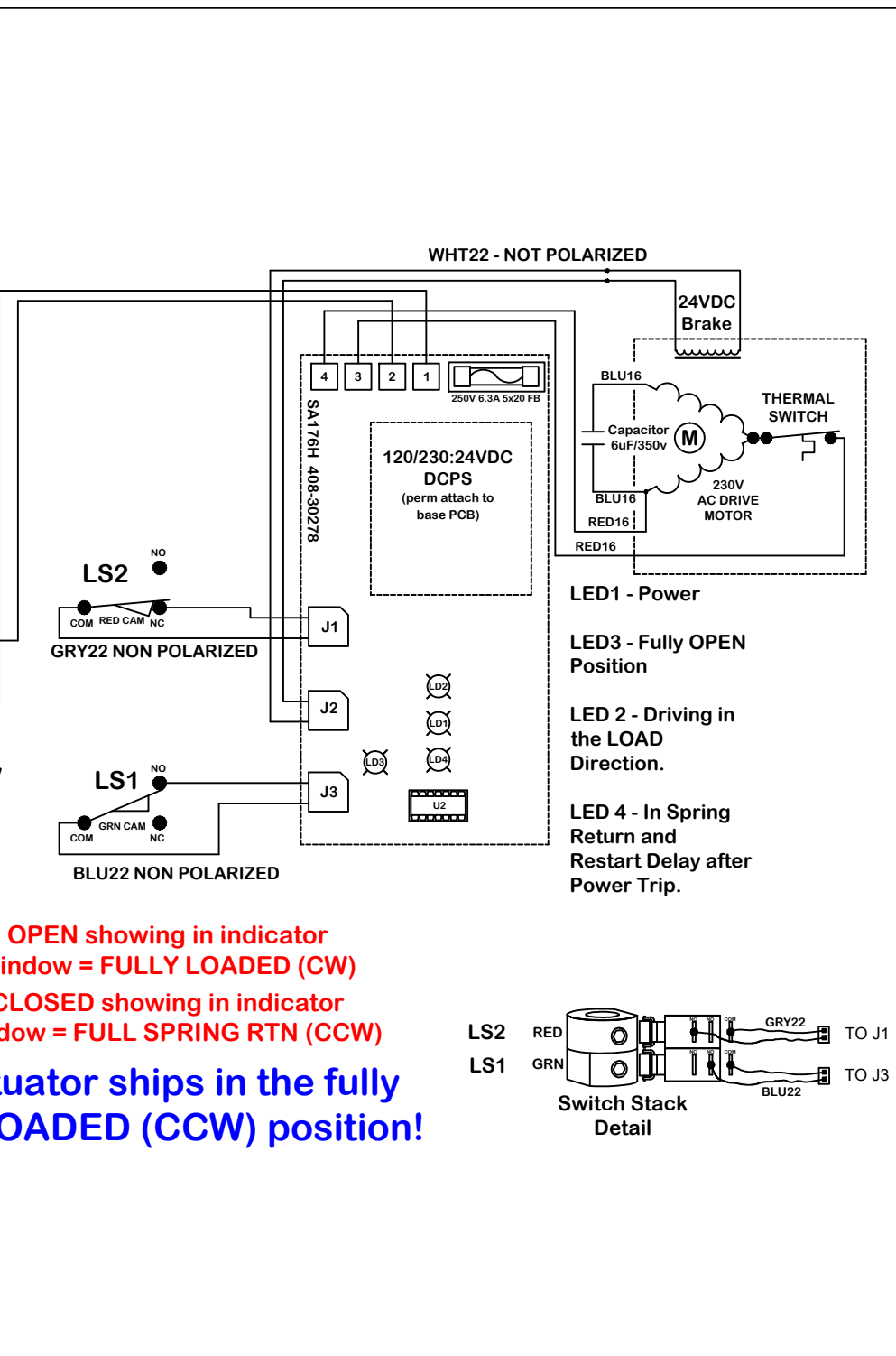
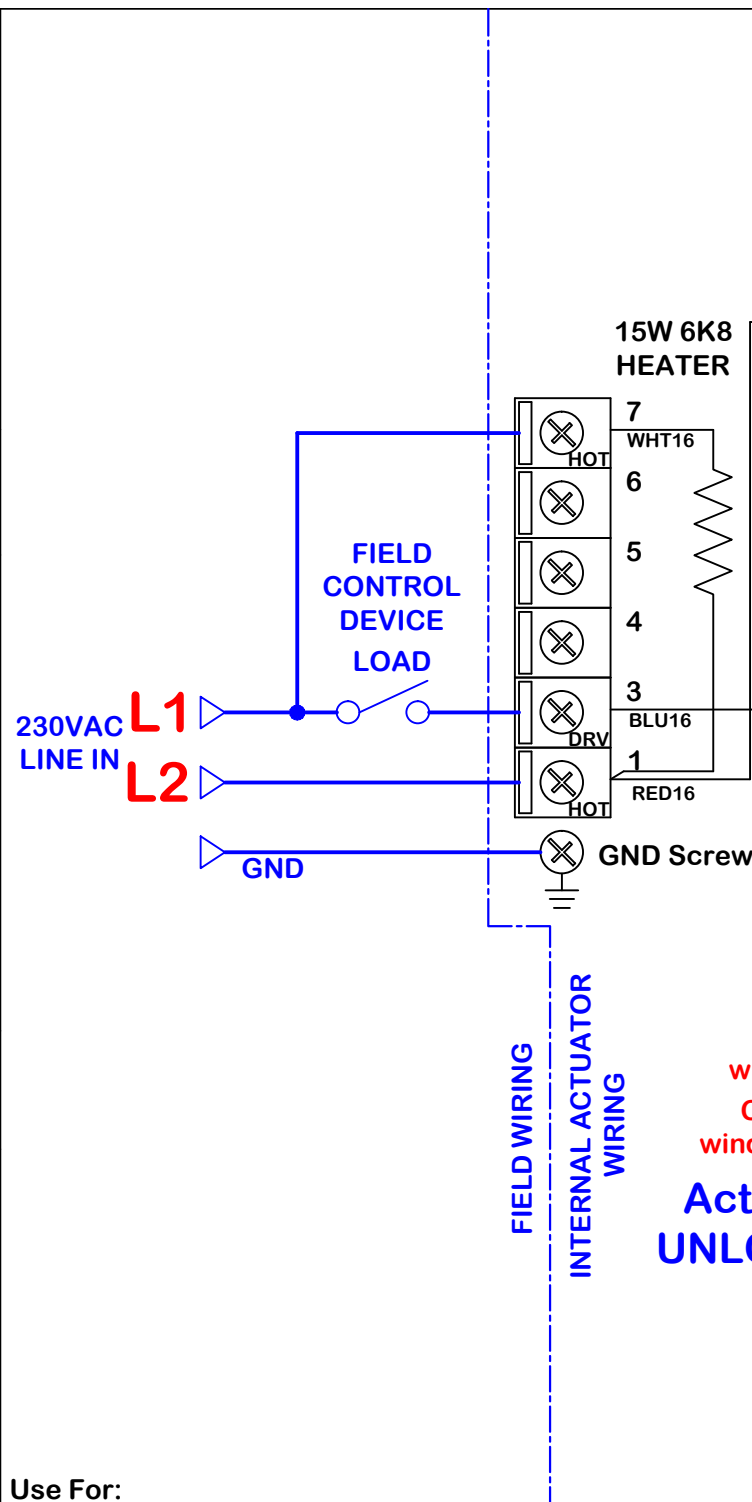


| | | | |
|---|-------------|---|------|
| rev | change date | revision | name |
| m | . | | |
| l | | | |
| k | | | |
| j | | | |
| i | 03.29.16 | | TJM |
| h | 04.17.2015 | Fixed NO, NC for LS1, LED, input colors | KHL |
| g | 10.23.14 | Removed Duplex board for On/Off units Added Duplex board and cam & board detail Corrected motor wire colors | KHL |
| f | 08.23.12 | Formatting edits | KHL |
| naming | | material no | |
| dwg by: | | Date | |
| BJW | | 4.19.2012 | |
| scale | | NONE | |
| none | | ind | |
| none | | material | |
| none | | Wiring Diagram | |
| WD-850-B5B03 | | | |
| On/Off wiring diagram for 230VAC PB(O) Series CCW Spring Return Actuators. Without auxiliary switches | | | |
| REV | | A | |
| 7/19/2016 11:18 AM | | | |



Use For:

PB/PBO-CCW-2302S4-XAS

This document is the property of ProMation Engineering, Inc. Distribution of this document without the written consent of the owner is strictly forbidden. Failure to comply will incur a liability for damages.