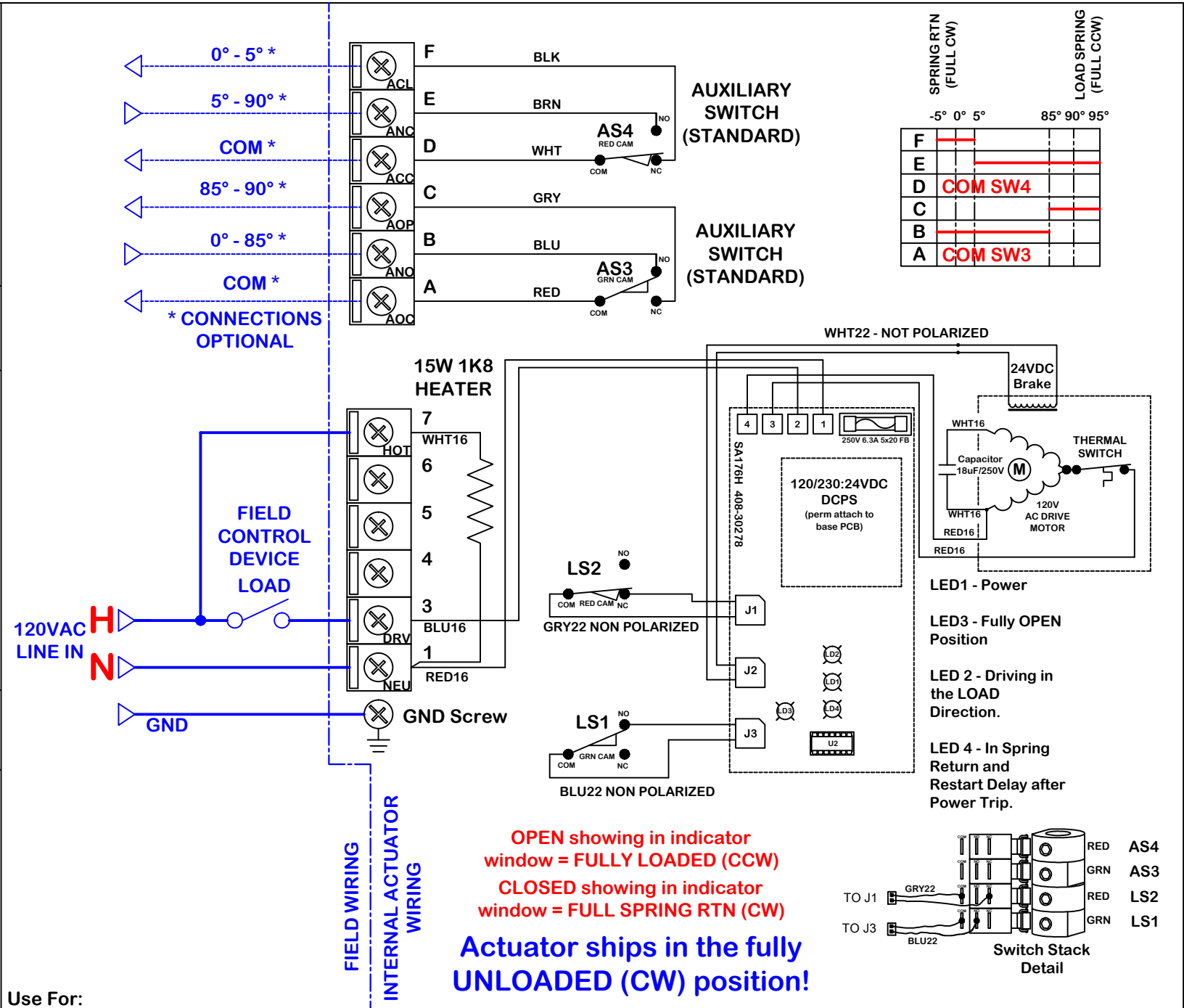


rev change date	revision	name
f 08.23.12	Formattting edits	KHL
g 10.23.14	Added signpost board and cam to board status	KHL
h 11.20.15	Removed signpost board from On/Off switch	TJM
i 03.26.16	Fixed NO, NC for LS1, LS2, input values	TJM
j		
k		
l		
m		

dwg by:	Date
BJW	4.19.2012
scale	
NONE	

3/28/2016 4:48 PM	WD-850-C4A01.dwg
On/Off wiring diagram for 120vac PC(O) Series CW Spring Return Actuators.	
REV	
1	



ProMation Engineering, Inc.
16138 Flight Path Drive
Brooksville, FL 34604
Ph:352-544-8436 Fx(352-544-8439

This document is the property of ProMation Engineering, Inc.
Distribution of this document without the written consent of the owner is strictly forbidden.
Failure to comply will incur a liability for damages.