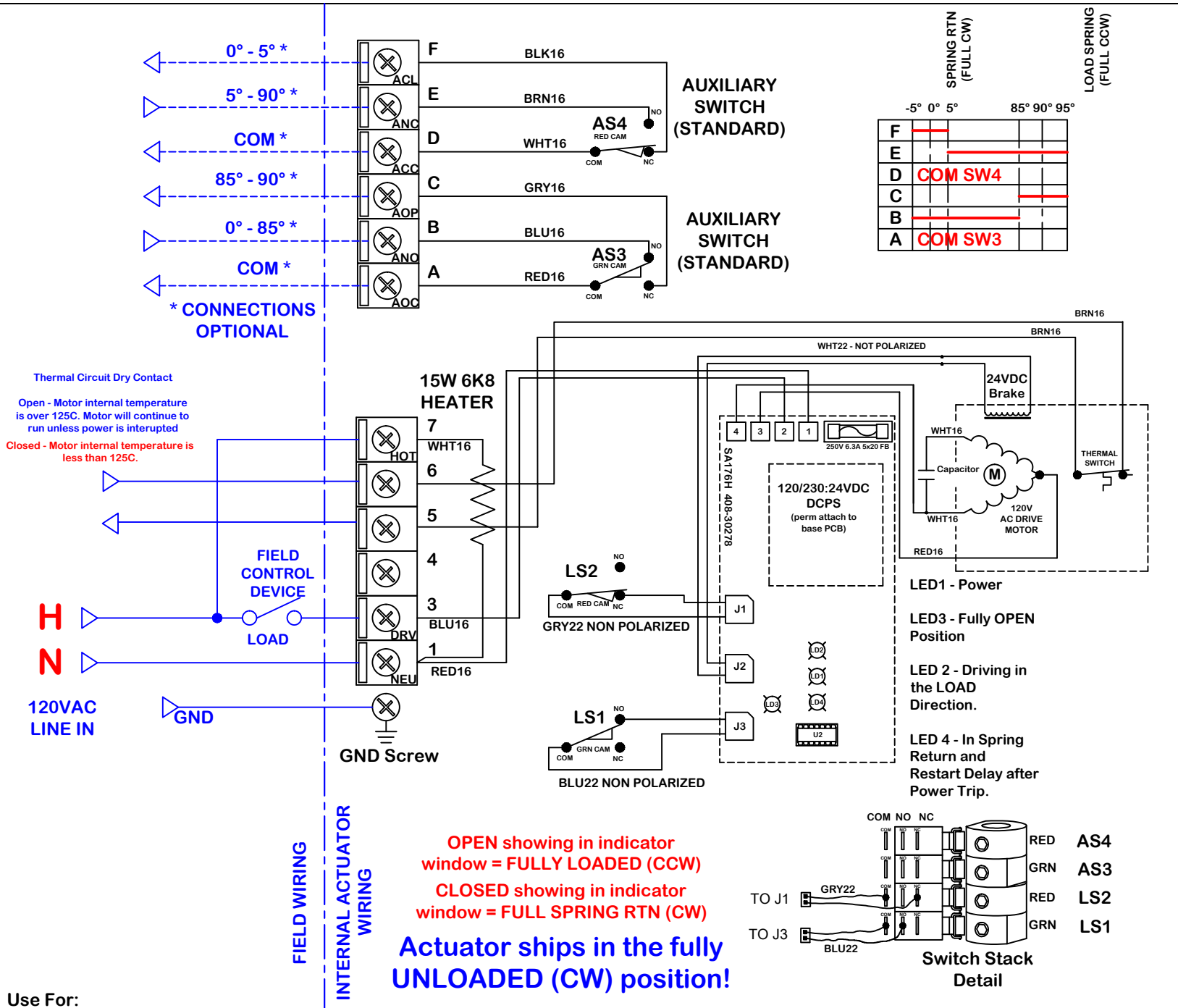


rev change date	A	01.08.17	BA402 QUINT change wire colors	revision	name	DUG	1/9/2018 3:50 PM	1/9/2018 3:50 PM	1/9/2018 3:50 PM	1/9/2018 3:50 PM	1/9/2018 3:50 PM
noming			material no			ind			Wiring Diagram		
dwn by: BJW			Date: 10.20.2014			scale: NONE			material		
ProMation			WD-850-C4A03			On/Off wiring diagram for 120VAC PC(O) CW Spring Return with internal motor thermo-switch bypass out (BTC).			REV: A		



Use For:

PC/PCO-CW-1202S4-MTC

ProMation Engineering, Inc.
16138 Flight Path Drive
Brooksville, FL 34604
Ph:352-544-8436 Fx(352-544-8439)

This document is the property of ProMation Engineering, Inc.
Distribution of this document without the written consent of the owner is strictly forbidden.
Failure to comply will incur a liability for damages.