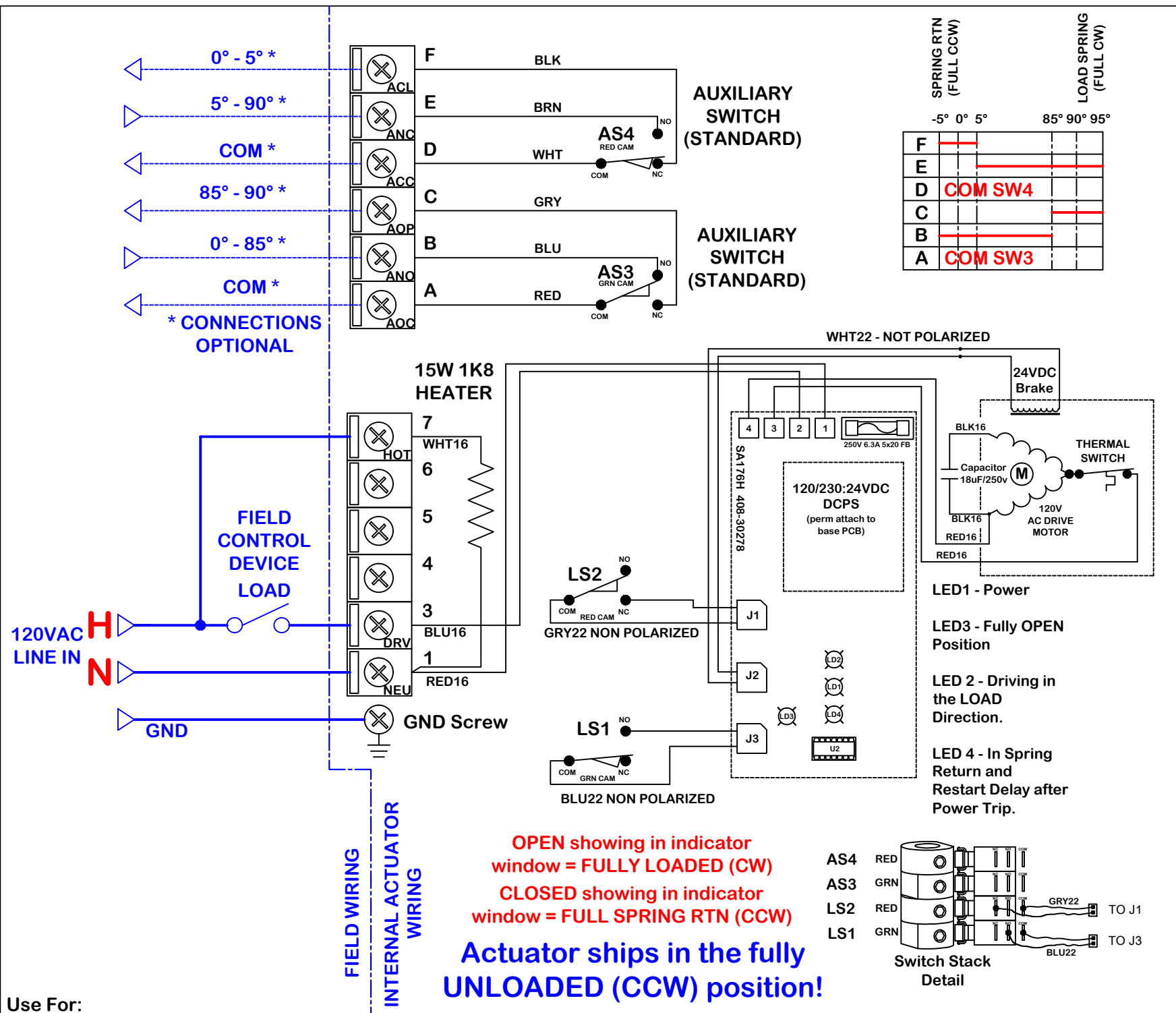


rev	change date	revision	name
m	.		
l			
k			
j	09.29.17	Edited english position: US1, US2, Header: add	DUG
i	03.29.16	Fixed NO. for US1, US2, Input: add Header: add	TJM
h	8.03.2015	Removed duplicate board numbers. Changed board numbers to match board numbers. Updated board numbers to match board numbers. Updated board numbers to match board numbers.	KHL
g	10.23.14	Added duplicate board numbers to board numbers. Updated board numbers to match board numbers. Updated board numbers to match board numbers.	KHL
f	08.23.12	Formatting edits	KHL
dwg by:		Date	material no
BJW		4.19.2012	
Scale			
NONE			
1/9/2018 2:57 PM			
WD-850-C4B01.dwg			
On/Off wiring diagram for 120vac PC(O) Series CCW Spring Return Actuators.			
REV	J		



Use For:

PC/PCO-CCW-1202S4

This document is the property of ProMation Engineering, Inc. Distribution of this document without the written consent of the owner is strictly forbidden. Failure to comply will incur a liability for damages.