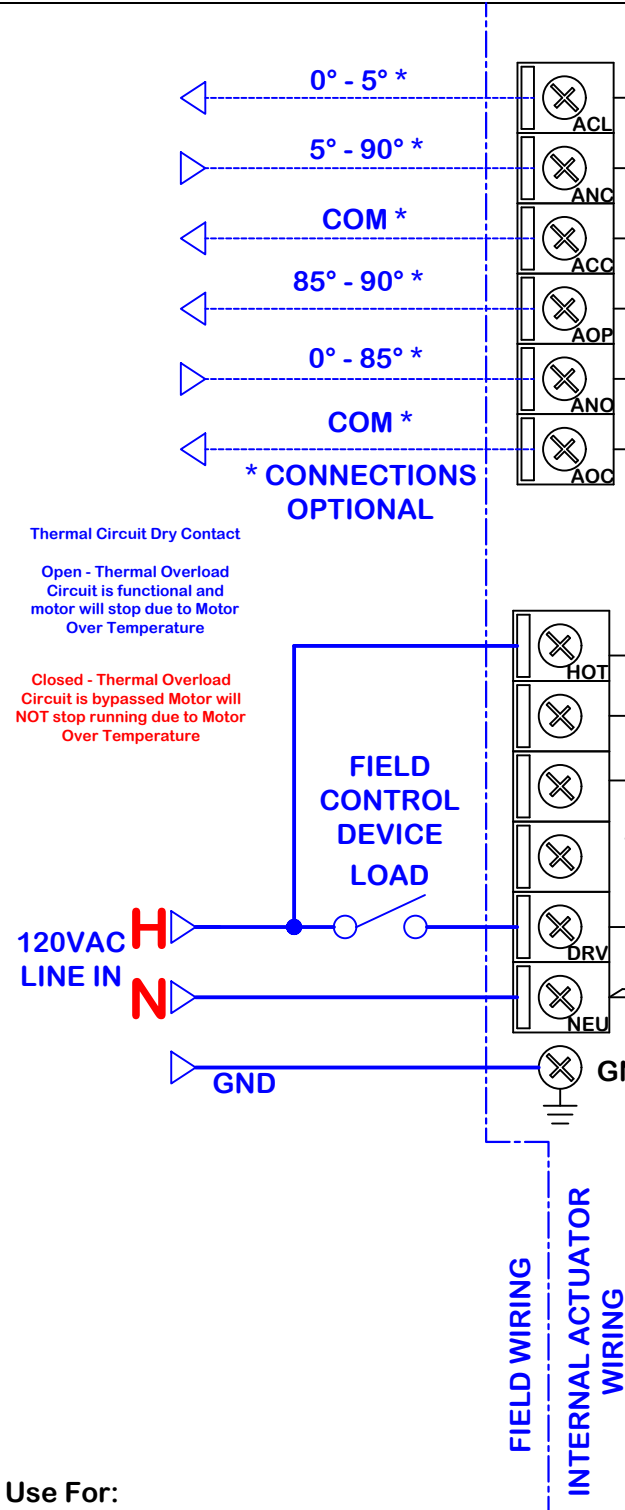


rev change	A	01.22.18	revision	added BTR circuit	name	DUG	4/1/2019 5:49 PM
rev change	B	03.22.19	revision	USB07_B - changed Voltage added header switch C4B02 Rev J added BTR circuit	name	DUG	
naming							
material no							
ind							
Wiring Diagram							
material							
scale							
NONE							
Date							
dwn by:							
BJW							
Date							
4.19.2012							
Promotion							
On/Off wiring diagram for 120VAC PC(O) CCW Spring Return with internal motor thermo-switch bypass out (BTR).							
WD-850-C4B02 B							
REV							
B							



Thermal Circuit Dry Contact

Open - Thermal Overload Circuit is functional and motor will stop due to Motor Over Temperature

Closed - Thermal Overload Circuit is bypassed Motor will NOT stop running due to Motor Over Temperature

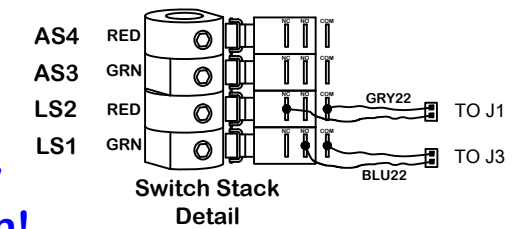
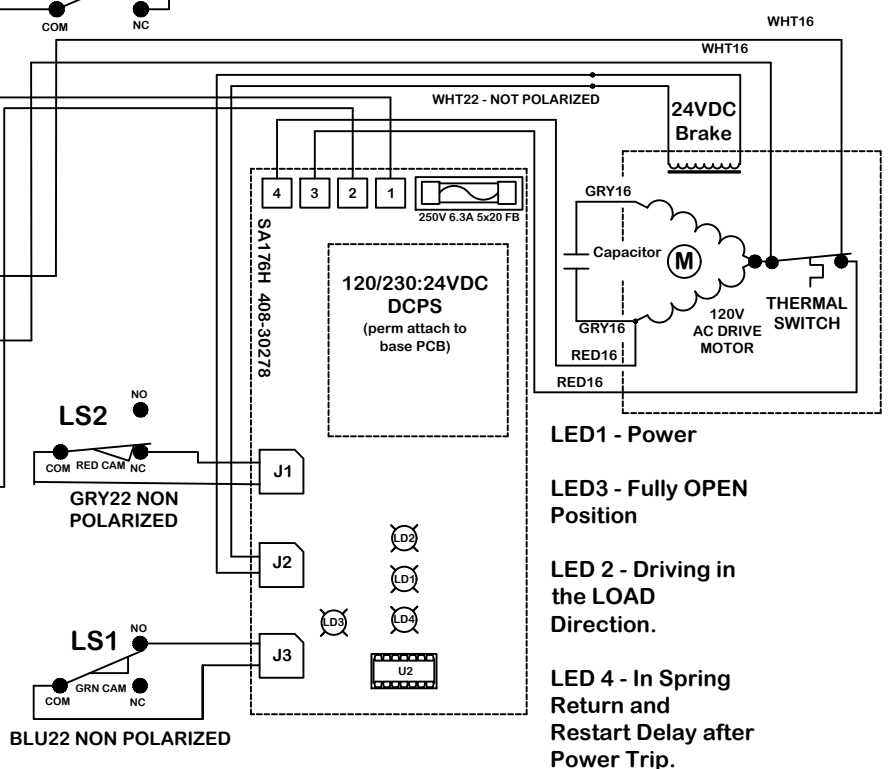
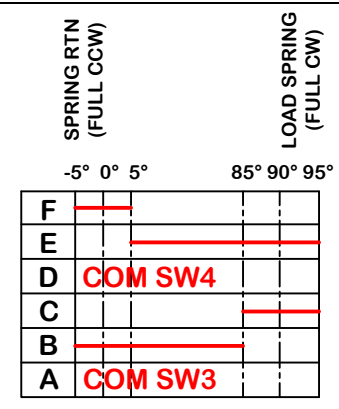
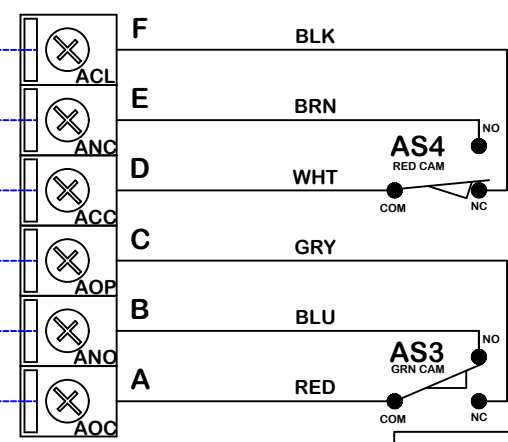
OPEN showing in indicator window = FULLY LOADED (CW)

CLOSED showing in indicator window = FULL SPRING RTN (CCW)

Actuator ships in the fully UNLOADED (CCW) position!

FIELD WIRING

INTERNAL ACTUATOR WIRING



Use For:

PC/PCO-CCW-1202S4-BTC

This document is the property of ProMation Engineering, Inc. Distribution of this document without the written consent of the owner is strictly forbidden. Failure to comply will incur a liability for damages.

ProMation Engineering, Inc.
16138 Flight Path Drive
Brooksville, FL 34604
Ph:352-544-8436 Fx(352-544-8439)