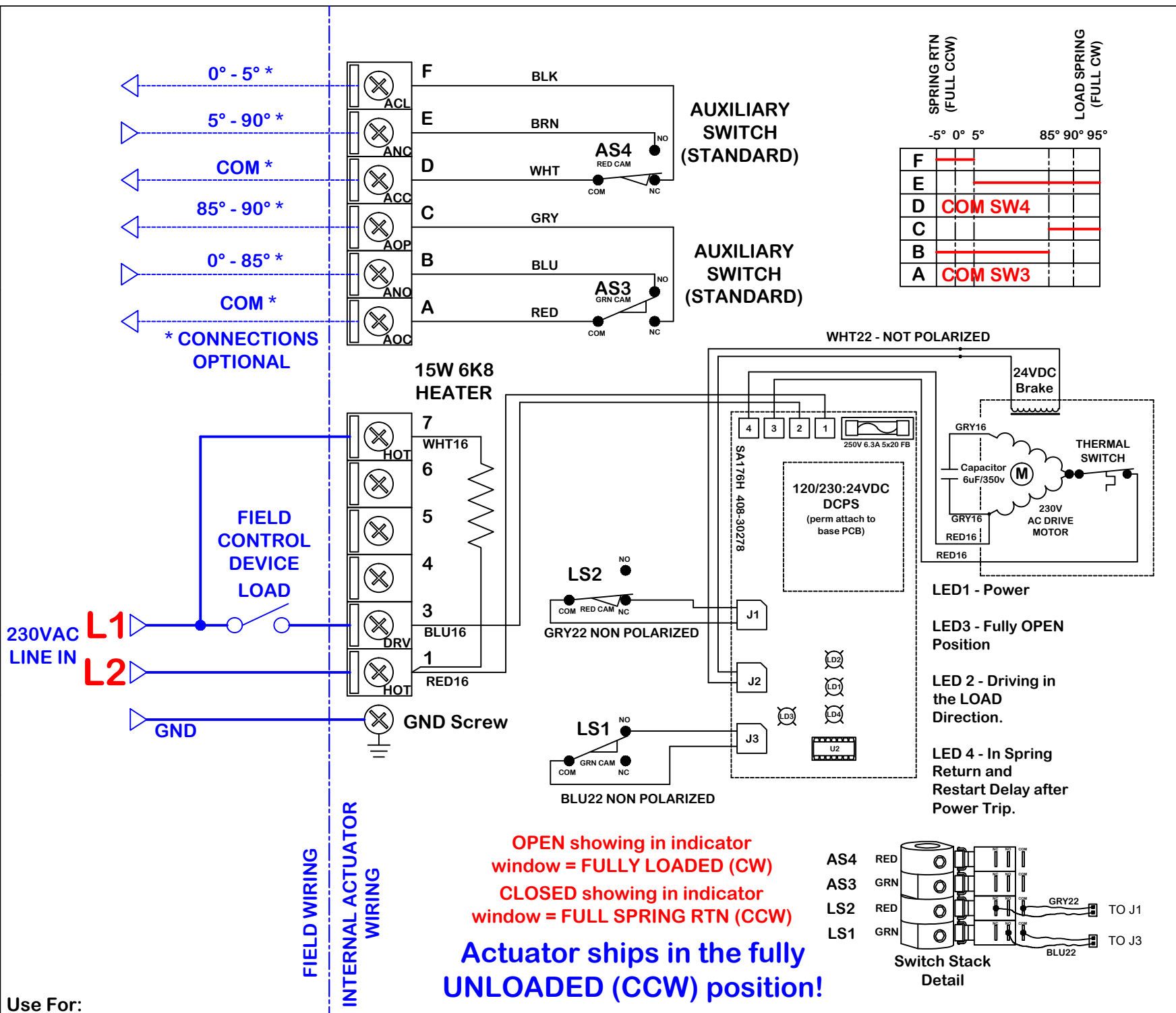


rev	change date	revision	name
m	.		
l			
k			
j			
i	03.29.16		
h	04.17.2015		
g	10.23.14		
f	08.23.12		
change date			
revision			
name			
naming		material no	
dwg by:		Date	
BJW		4.19.2012	
scale		ind	
NONE		Wiring Diagram	
material		material	
1/9/2018 2:59 PM		WD-850-C5B01.dwg	
ProMation		On/Off wiring diagram for 230vac PC(O) Series CCW Spring Return Actuators.	
REV		1	



Use For:

PC/PCO-CCW-2302S4

This document is the property of ProMation Engineering, Inc. Distribution of this document without the written consent of the owner is strictly forbidden. Failure to comply will incur a liability for damages.