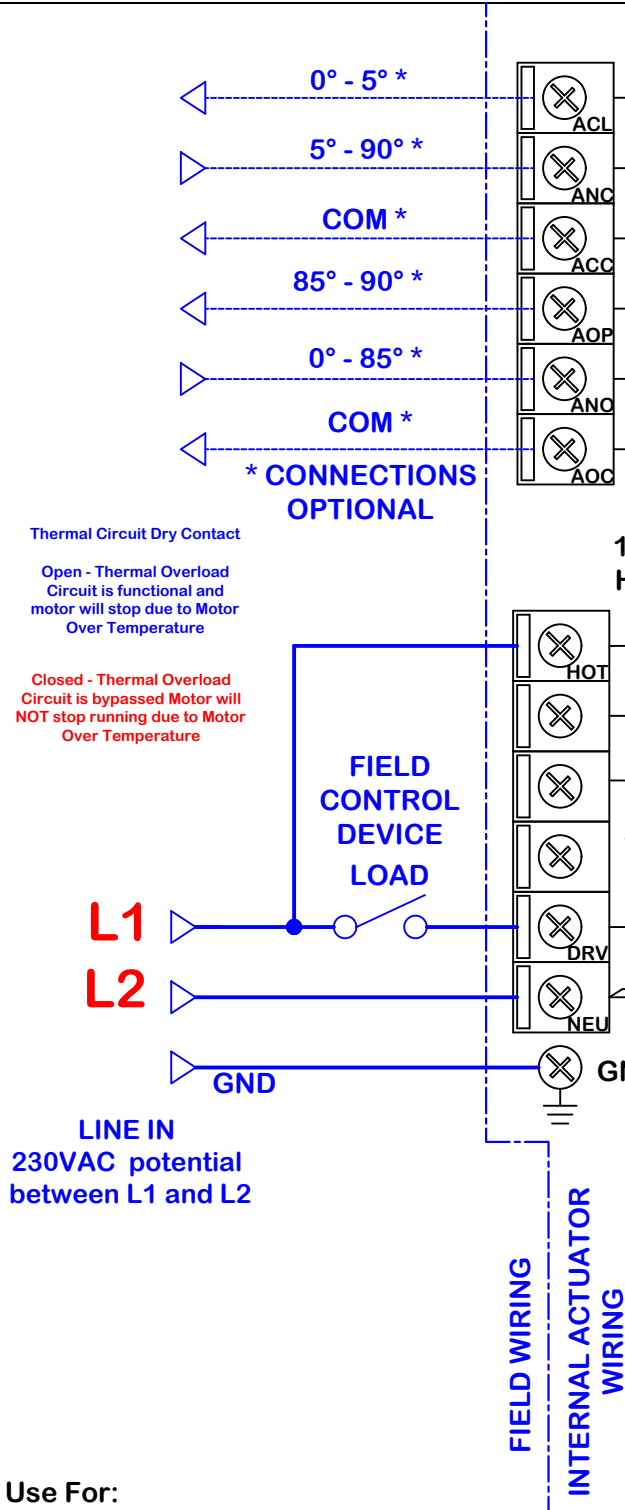


rev change	A	01.18.19	BS02 A - changed wire colors and voltage	revision	DUG	name	
naming				material no			
dwn by: BJW				Date: 4.19.2012			
scale: NONE				ind			
Wiring Diagram				material			
Promotion 1/18/2019 8:50 AM				WD-850-C5B02 On/Off wiring diagram for 230VAC PC(O) CCW Spring Return with internal motor thermo-switch bypass out (BTC). WD-850-C5B02.dwg			
REV A							



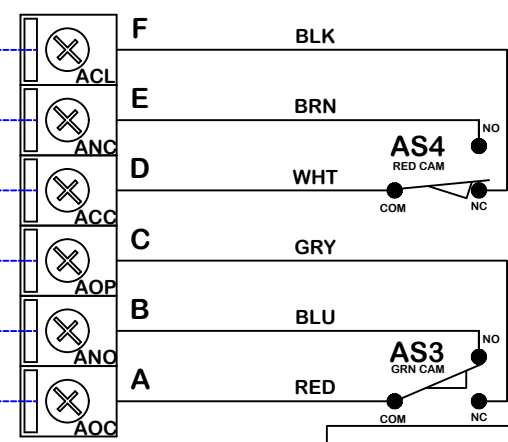
Thermal Circuit Dry Contact

Open - Thermal Overload
Circuit is functional and motor will stop due to Motor Over Temperature

Closed - Thermal Overload
Circuit is bypassed Motor will NOT stop running due to Motor Over Temperature

FIELD WIRING

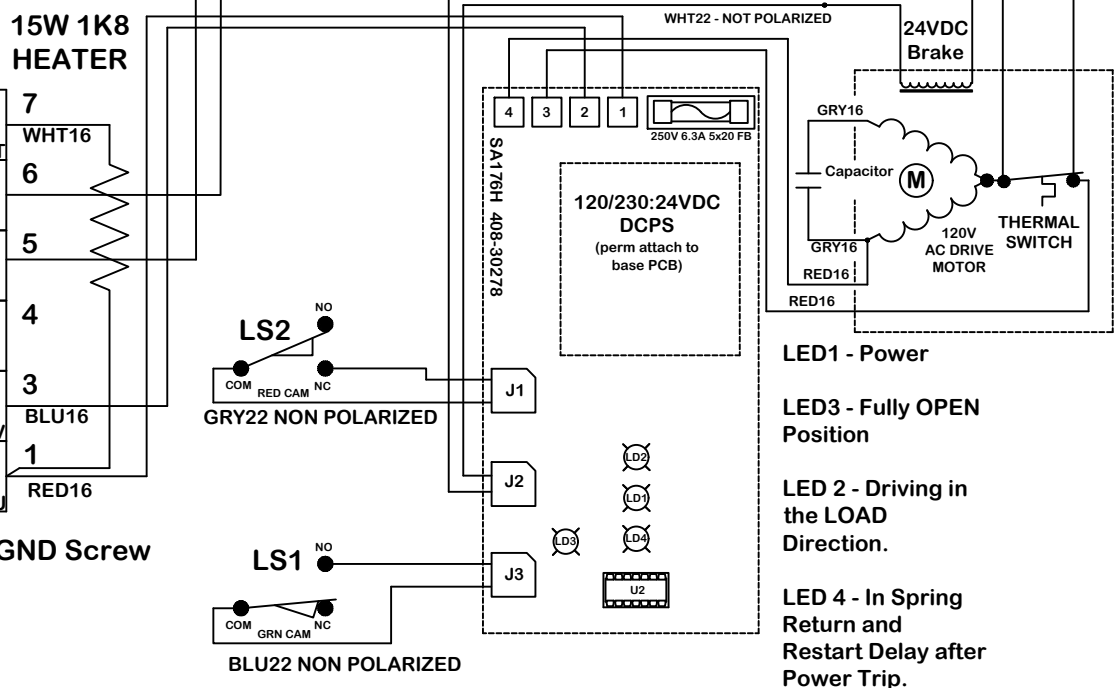
INTERNAL ACTUATOR WIRING



AUXILIARY SWITCH (STANDARD)

AUXILIARY SWITCH (STANDARD)

	SPRING RTN (FULL CCW)	-5°	0°	5°		LOAD SPRING (FULL CW)	85°	90°	95°
F									
E									
D									
C									
B									
A									

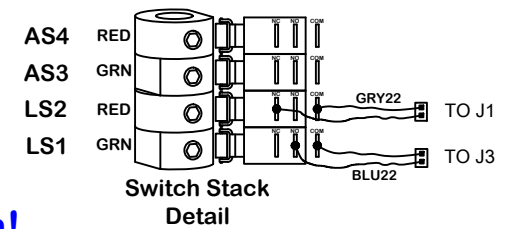


- LED1 - Power
- LED3 - Fully OPEN Position
- LED 2 - Driving in the LOAD Direction.
- LED 4 - In Spring Return and Restart Delay after Power Trip.

OPEN showing in indicator window = FULLY LOADED (CW)

CLOSED showing in indicator window = FULL SPRING RTN (CCW)

Actuator ships in the fully UNLOADED (CCW) position!



Use For:

PC/PCO-CCW-2302S4-BTC

This document is the property of ProMation Engineering, Inc. Distribution of this document without the written consent of the owner is strictly forbidden. Failure to comply will incur a liability for damages.

ProMation Engineering, Inc.
16138 Flight Path Drive
Brooksville, FL 34604
Ph:352-544-8436 Fx(352-544-8439)